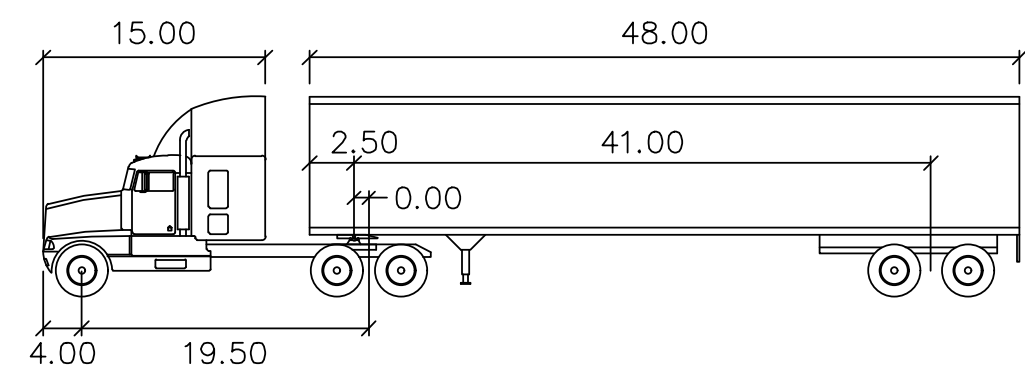


DRAFT

NOTES

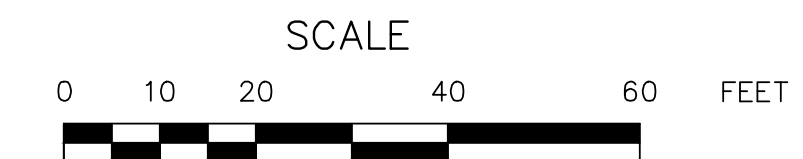
1. THIS PLAN INTENDED FOR DISCUSSION PURPOSES ONLY; IT IS NOT FOR CONSTRUCTION.
2. FINAL DESIGN IS SUBJECT TO FIELD SURVEY BY OTHERS.
3. PROPERTY LINES AND ACCESS LINE LOCATIONS ARE APPROXIMATE ONLY AND ARE SUBJECT TO DEED AND TITLE RECORDS.
4. BASE PLAN SOURCE: MDM TRANSPORTATION CONSULTANTS, INC.



WB-62

Tractor Width	: 8.00	Lock to Lock Time	: 6.0
Trailer Width	: 8.50	Steering Angle	: 28.4
Tractor Track	: 8.00	Articulating Angle	: 70.0
Trailer Track	: 8.50		

feet



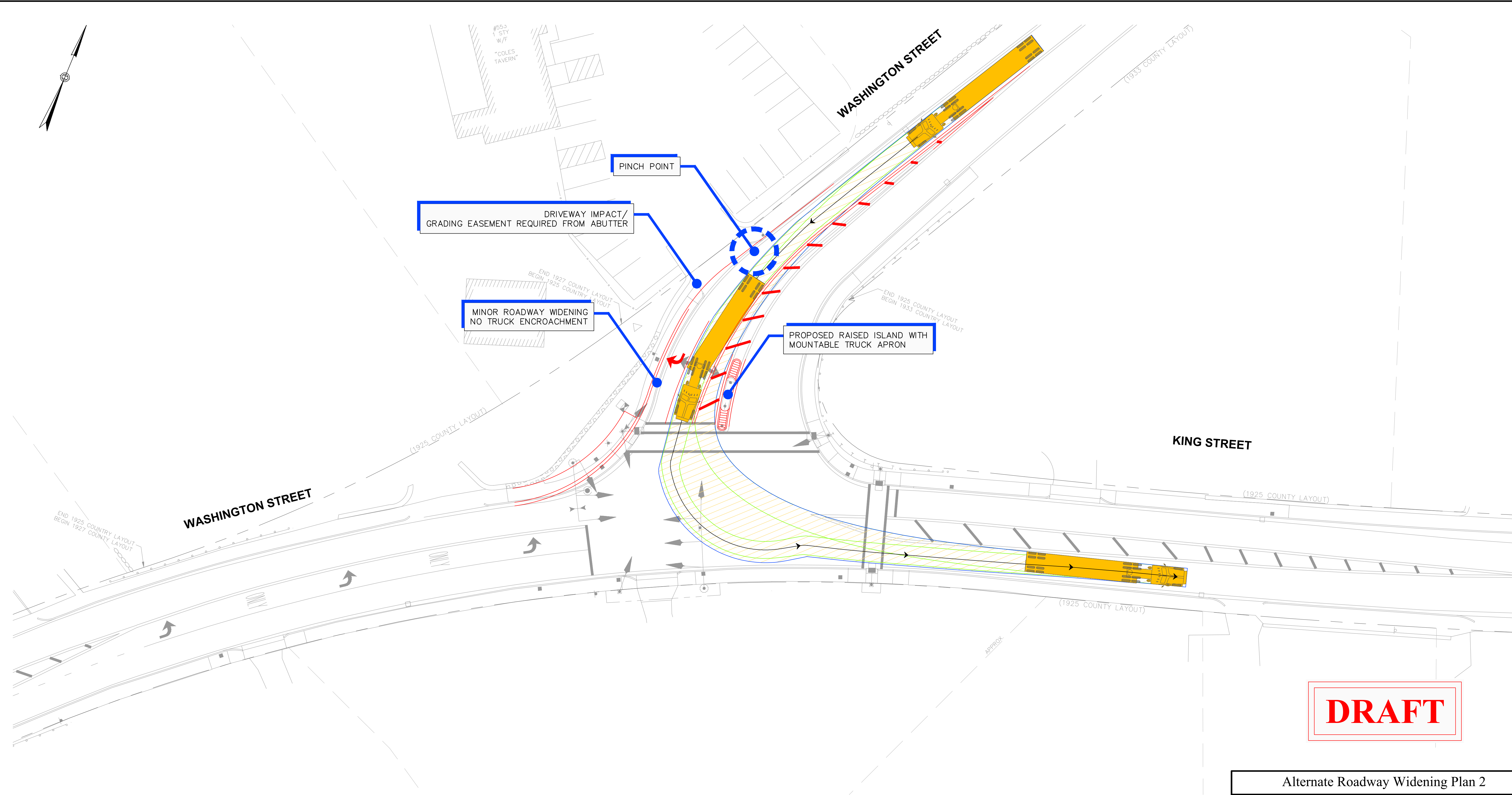
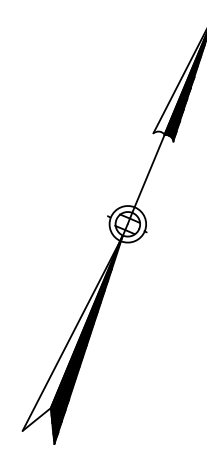
Alternate Roadway Widening Plan 1

WASHINGTON STREET AT KING STREET
FRANKLIN, MASSACHUSETTS
PREPARED FOR:
HIGHPOINT ENGINEERING, INC.
980 WASHINGTON STREET, SUITE 216
DEDHAM, MASSACHUSETTS 02026

MDM TRANSPORTATION CONSULTANTS, INC.
PLANNERS & ENGINEERS

28 Lord Road, Suite 280
Marlborough, MA 01752
Tel: (508) 303-0370
Fax: (508) 303-0371

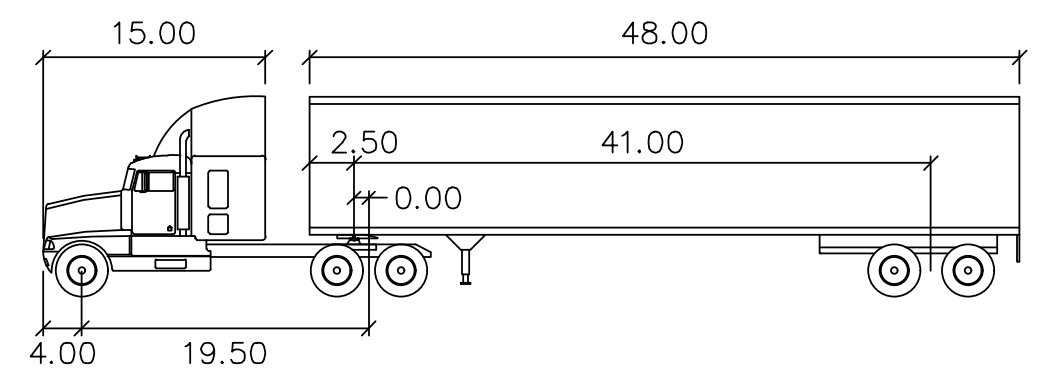
Project No. 1259	File: 1259 Autoturn 2023-10-09dwg
Date: Oct. 9, 2023	Scale: As Noted
	Sheet 1 of 4



DRAFT

NOTES

1. THIS PLAN INTENDED FOR DISCUSSION PURPOSES ONLY; IT IS NOT FOR CONSTRUCTION.
2. FINAL DESIGN IS SUBJECT TO FIELD SURVEY BY OTHERS.
3. PROPERTY LINES AND ACCESS LINE LOCATIONS ARE APPROXIMATE ONLY AND ARE SUBJECT TO DEED AND TITLE RECORDS.
4. BASE PLAN SOURCE: MDM TRANSPORTATION CONSULTANTS, INC.



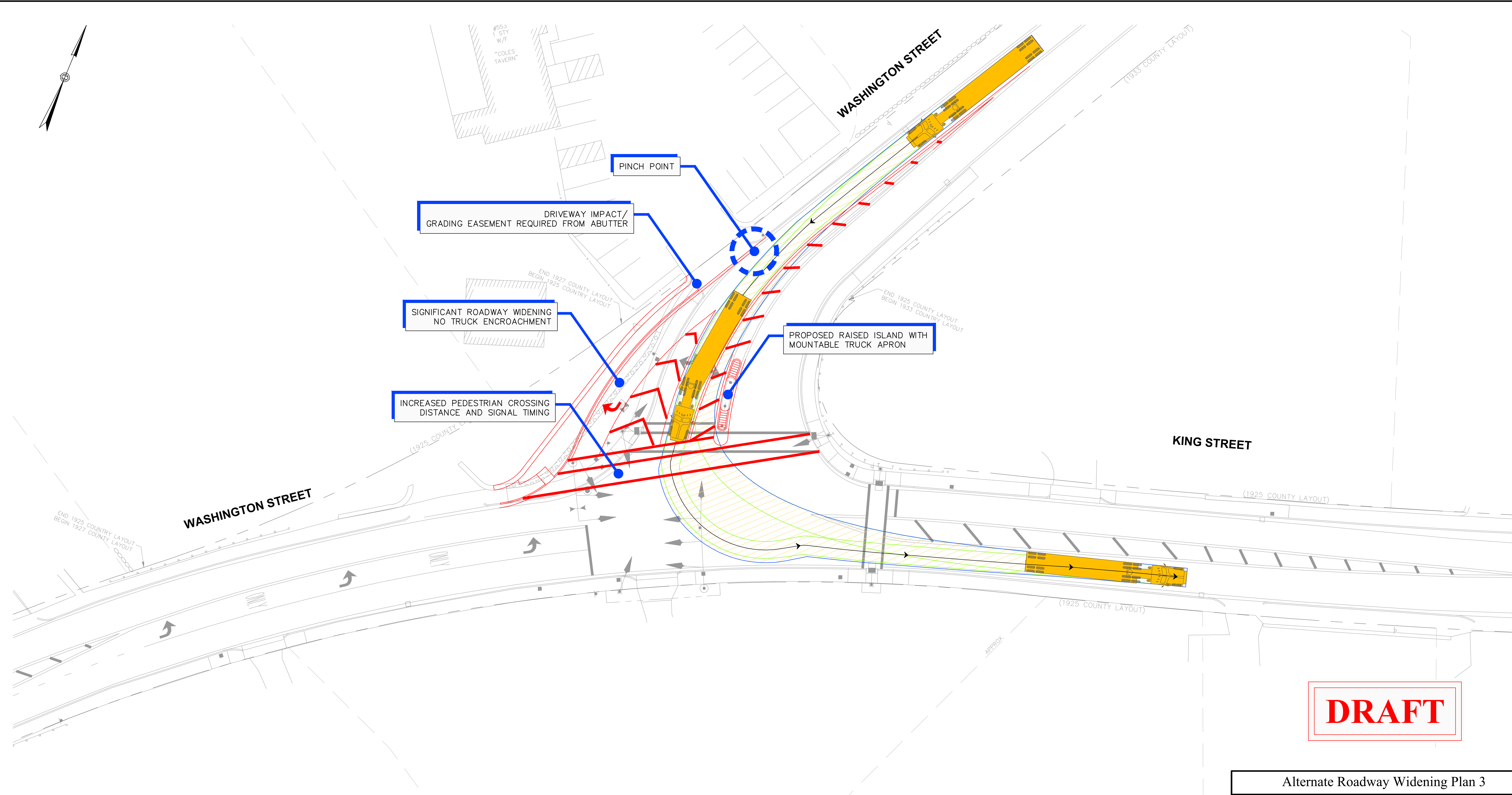
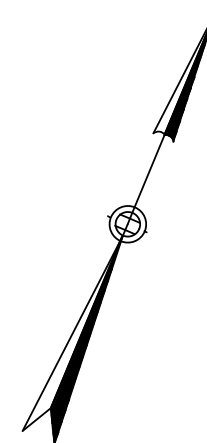
WB-62

Tractor Width	: 8.00	Lock to Lock Time	: 6.0
Trailer Width	: 8.50	Steering Angle	: 28.4
Tractor Track	: 8.00	Articulating Angle	: 70.0
Trailer Track	: 8.50		

feet



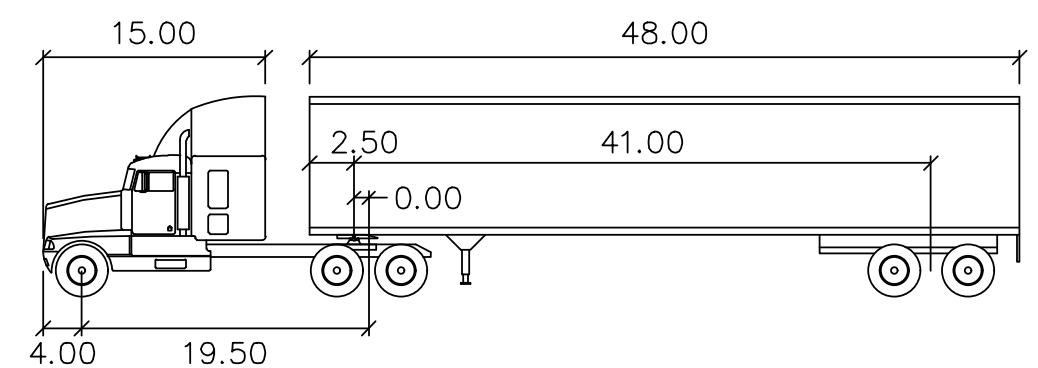
Alternate Roadway Widening Plan 2		
WASHINGTON STREET AT KING STREET FRANKLIN, MASSACHUSETTS PREPARED FOR: HIGHPOINT ENGINEERING, INC. 980 WASHINGTON STREET, SUITE 216 DEDHAM, MASSACHUSETTS 02026		
MDM TRANSPORTATION CONSULTANTS, INC. PLANNERS & ENGINEERS		
28 Lord Road, Suite 280 Marlborough, MA 01752 Tel: (508) 303-0370 Fax: (508) 303-0371		
Project No. 1259	File: 1259 Alternate Roadway Widening Plan (2023-10-09).dwg	
Date: Oct. 9, 2023	Scale: As Noted	Sheet 2 of 4



DRAFT

NOTES

1. THIS PLAN INTENDED FOR DISCUSSION PURPOSES ONLY; IT IS NOT FOR CONSTRUCTION.
2. FINAL DESIGN IS SUBJECT TO FIELD SURVEY BY OTHERS.
3. PROPERTY LINES AND ACCESS LINE LOCATIONS ARE APPROXIMATE ONLY AND ARE SUBJECT TO DEED AND TITLE RECORDS.
4. BASE PLAN SOURCE: MDM TRANSPORTATION CONSULTANTS, INC.



WB-62

Tractor Width	: 8.00	Lock to Lock Time	: 6.0
Trailer Width	: 8.50	Steering Angle	: 28.4
Tractor Track	: 8.00	Articulating Angle	: 70.0
Trailer Track	: 8.50		



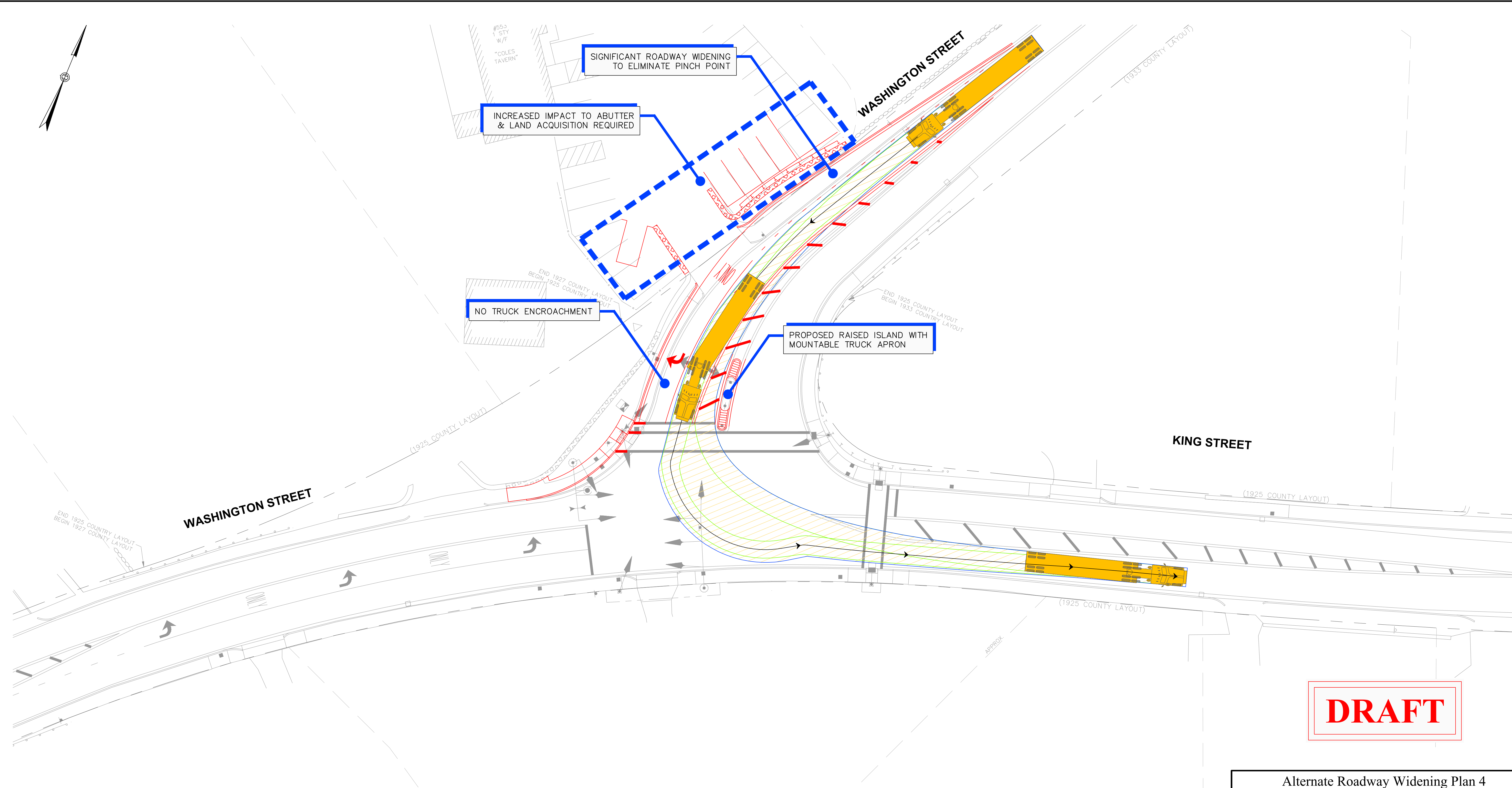
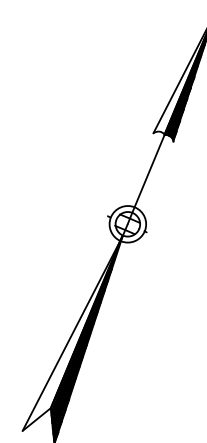
Alternate Roadway Widening Plan 3

WASHINGTON STREET AT KING STREET
FRANKLIN, MASSACHUSETTS
PREPARED FOR:
HIGHPOINT ENGINEERING, INC.
980 WASHINGTON STREET, SUITE 216
DEDHAM, MASSACHUSETTS 02026

MDM TRANSPORTATION CONSULTANTS, INC.
PLANNERS & ENGINEERS

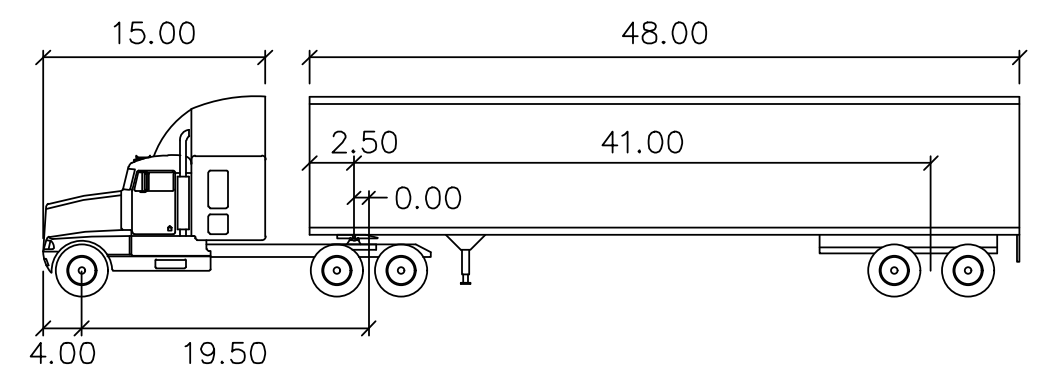
28 Lord Road, Suite 280
Marlborough, MA 01752
Tel: (508) 303-0370
Fax: (508) 303-0371

Project No. 1259	File: 1259 Alternate Roadway Widening Plan (2023-10-09).dwg	
Date: Oct. 9, 2023	Scale: As Noted	Sheet 3 of 4



DRAFT

- NOTES**
1. THIS PLAN INTENDED FOR DISCUSSION PURPOSES ONLY; IT IS NOT FOR CONSTRUCTION.
 2. FINAL DESIGN IS SUBJECT TO FIELD SURVEY BY OTHERS.
 3. PROPERTY LINES AND ACCESS LINE LOCATIONS ARE APPROXIMATE ONLY AND ARE SUBJECT TO DEED AND TITLE RECORDS.
 4. BASE PLAN SOURCE: MDM TRANSPORTATION CONSULTANTS, INC.



WB-62	feet	
Tractor Width	: 8.00	Lock to Lock Time : 6.0
Trailer Width	: 8.50	Steering Angle : 28.4
Tractor Track	: 8.00	Articulating Angle : 70.0
Trailer Track	: 8.50	



Alternate Roadway Widening Plan 4		
WASHINGTON STREET AT KING STREET FRANKLIN, MASSACHUSETTS PREPARED FOR: HIGHPOINT ENGINEERING, INC. 980 WASHINGTON STREET, SUITE 216 DEDHAM, MASSACHUSETTS 02026		
MDM TRANSPORTATION CONSULTANTS, INC. PLANNERS & ENGINEERS		
28 Lord Road, Suite 280 Marlborough, MA 01752 Tel: (508) 303-0370 Fax: (508) 303-0371		
Project No. 1259	File: 1259 Alternate Roadway Widening Plan (2023-10-09).dwg	
Date: Oct. 9, 2023	Scale: As Noted	Sheet 4 of 4