

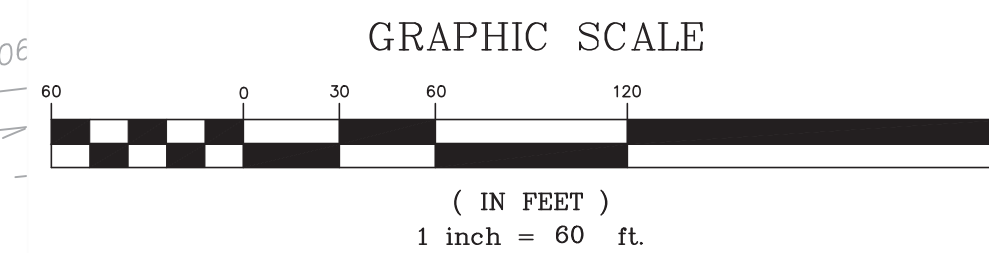
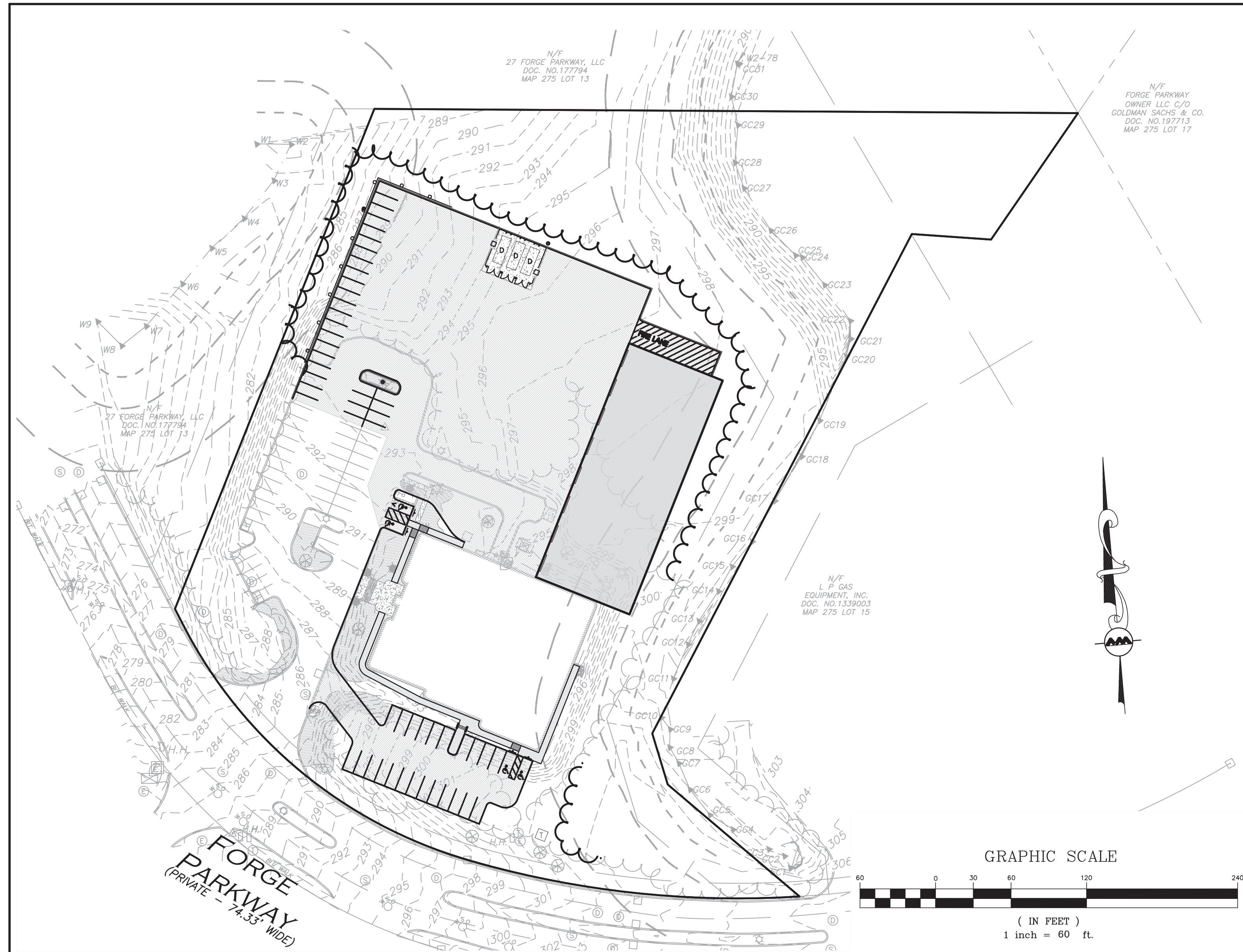
LOCUS MAP
NOT TO SCALE

SITE DEVELOPMENT PLANS FOR 25 FORGE PARKWAY FRANKLIN, MA 02038 TAX MAP 275, LOT 14

APPLICANT/OWNER:
TMC HOLDINGS & DEVELOPMENT 2, LLC
25 FORGE PARKWAY
FRANKLIN, MA 02038

CIVIL ENGINEER/LANDSCAPE ARCHITECT:
ALLEN & MAJOR ASSOCIATES, INC.
400 HARVEY ROAD
MANCHESTER, NH 03103

SURVEYOR:
ALLEN & MAJOR ASSOCIATES, INC.
100 COMMERCE WAY
WOBURN, MA 01801



LIST OF DRAWINGS									
DRAWING TITLE	SHEET NO.	ISSUED	REV 1	REV 2	REV 3	REV 4	REV 5	REV 6	REV 7
EXISTING CONDITIONS	V-101	02-21-23	04-04-23	-	-	-	-	-	-
EROSION CONTROL & SITE PREPARATION NOTES	C-100	-	04-04-23	04-14-23	05-31-23	-	-	-	12-14-23
SITE PREPARATION PLAN	C-101	02-21-23	04-04-23	04-14-23	05-01-23	-	05-18-23	-	12-14-23
LAYOUT & MATERIALS PLAN	C-102	02-21-23	04-04-23	04-14-23	05-01-23	-	05-18-23	10-24-23	12-14-23
GRADING & DRAINAGE PLAN	C-103	02-21-23	04-04-23	04-14-23	05-01-23	05-11-23	05-18-23	-	12-14-23
UTILITIES PLAN	C-104	12-14-23	-	-	-	-	-	-	-
LIGHTING PLAN	C-105	02-21-23	04-04-23	04-14-23	05-01-23	-	-	-	12-14-23
SITE PLAN & CROSS-SECTION	C-201	-	-	04-14-23	05-01-23	05-11-23	-	-	12-14-23
DETAILS	C-501	02-21-23	04-04-23	04-14-23	05-01-23	-	-	-	12-14-23
DETAILS	C-502	02-21-23	04-04-23	04-14-23	05-01-23	05-11-23	-	-	12-14-23
DETAILS	C-503	02-21-23	04-04-23	04-14-23	05-01-23	05-11-23	-	-	12-14-23
DETAILS	C-504	12-14-23	-	-	-	-	-	-	-
DETAILS	C-505	12-14-23	-	-	-	-	-	-	-
LANDSCAPE PLAN	L-101	-	04-04-23	04-14-23	05-01-23	-	-	-	12-14-23
LANDSCAPE NOTES & DETAILS	L-501	-	04-04-23	04-14-23	05-01-23	-	-	-	12-14-23
LANDSCAPE NOTES & DETAILS	L-502	12-14-23	-	-	-	-	-	-	-

CERTIFICATE OF VOTE / CONDITIONS OF APPROVAL

PLEASE BE ADVISED THAT AT ITS MEETING ON MONDAY, MAY 22, 2023 THE PLANNING BOARD VOTED (5-0), UPON MOTION DULY MADE AND SECONDED TO APPROVE, WITH CONDITIONS, THE SITE PLAN SHOWN HEREON. THE CONDITIONS OF APPROVAL ARE LISTED BELOW. BOTH THE CERTIFICATE OF VOTE AS WELL AS THE CONDITIONS OF APPROVAL SHALL BE REFERENCED ON THE SITE PLAN.

- THE PLANNING BOARD WILL USE OUTSIDE CONSULTANT SERVICE TO COMPLETE CONSTRUCTION INSPECTIONS UPON THE COMMENCEMENT OF CONSTRUCTION. THE FRANKLIN DEPARTMENT OF PUBLIC WORKS DIRECTOR, DIRECTLY AND THROUGH EMPLOYEES OF THE DEPARTMENT OF PUBLIC WORKS AND OUTSIDE CONSULTANT SERVICES SHALL ACT AS THE PLANNING BOARD'S INSPECTOR TO ASSIST THE BOARD WITH INSPECTIONS NECESSARY TO ENSURE COMPLIANCE WITH ALL RELEVANT LAWS, REGULATIONS AND PLANNING BOARD APPROVED PLAN SPECIFICATIONS. SUCH CONSULTANTS SHALL BE SELECTED AND RETAINED UPON A MAJORITY VOTE OF THE BOARD.
- ACTUAL AND REASONABLE COSTS OF INSPECTION CONSULTING SERVICES SHALL BE PAID BY THE OWNER/APPLICANT BEFORE OR AT THE TIME OF THE PRE-CONSTRUCTION MEETING. SHOULD ADDITIONAL INSPECTIONS BE REQUIRED BEYOND THE ORIGINAL SCOPE OF WORK, THE OWNER/APPLICANT SHALL BE REQUIRED TO SUBMIT FEES PRIOR TO THE ISSUANCE OF A FINAL CERTIFICATE OF COMPLETION BY THE PLANNING BOARD (FORM H). SAID INSPECTION IS FURTHER OUTLINED IN CONDITION #1.
- NO ALTERATION OF THESE PLANS SHALL BE MADE OR AFFECTED OTHER THAN BY AN AFFIRMATIVE VOTE OF THE MEMBERS OF THE BOARD AT A DULY POSTED MEETING AND UPON THE ISSUANCE OF A WRITTEN AMENDED DECISION.
- ALL APPLICABLE LAWS, BY-LAWS, RULES, REGULATIONS, AND CODES SHALL BE COMPLIED WITH, AND ALL NECESSARY LICENSES, PERMITS AND APPROVALS SHALL BE OBTAINED BY THE OWNER/APPLICANT.
- PRIOR TO THE ENDORSEMENT OF THE SITE PLAN, THE FOLLOWING SHALL BE DONE:
 - THE OWNER/APPLICANT SHALL PROVIDE THE ENTIRE LIST OF CONDITIONS AND THIS CERTIFICATE OF VOTE ON THE FRONT PAGE OF THE PLANS.
 - A NOTATION SHALL BE MADE ON THE PLANS THAT ALL EROSION MITIGATION MEASURES SHALL BE IN PLACE PRIOR TO MAJOR CONSTRUCTION OR SOIL DISTURBANCE COMMENCING ON THE SITE.
 - ALL OUTSTANDING INVOICES FOR SERVICES RENDERED BY THE TOWN'S ENGINEERS AND OTHER REVIEWING DEPARTMENTS OF THE TOWN RELATIVE TO THEIR REVIEW OF THE OWNER/APPLICANT'S APPLICATION AND PLANS SHALL HAVE BEEN PAID IN FULL.
- ALL REQUIRED IMPROVEMENTS SPECIFIED IN THIS CERTIFICATE OF VOTE SHALL BE CONSTRUCTED WITHIN A ONE-YEAR PERIOD UNLESS THE BOARD GRANTS AN EXTENSION. NO FINAL CERTIFICATE OF OCCUPANCY SHALL BE ISSUED UNTIL ALL REQUIREMENTS OF THE APPROVED PLAN HAVE BEEN COMPLETED TO THE SATISFACTION OF THE BOARD UNLESS THE APPLICANT HAS SUBMITTED A PARTIAL CERTIFICATE OF COMPLETION FOR THE REMAINDER OF THE REQUIRED IMPROVEMENTS. THE APPLICANT'S ENGINEER OR SURVEYOR, UPON COMPLETION OF ALL REQUIRED IMPROVEMENTS, SHALL SUBMIT A CERTIFICATE OF COMPLETION. THE BOARD OR ITS AGENT(S) SHALL COMPLETE A FINAL INSPECTION OF THE SITE UPON FILING OF THE CERTIFICATE OF COMPLETION BY THE APPLICANT. SAID INSPECTION IS FURTHER OUTLINED IN CONDITION #1.
- PRIOR TO ANY WORK COMMENCING ON THE SUBJECT PROPERTY, THE OWNER/APPLICANT SHALL PROVIDE PLANS TO LIMIT CONSTRUCTION DEBRIS AND MATERIALS ON THE SITE. IN THE EVENT THAT DEBRIS IS CARRIED ONTO ANY PUBLIC WAY, THE OWNER/APPLICANT AND HIS ASSIGNS SHALL BE RESPONSIBLE FOR ALL CLEANUP OF THE ROADWAY. ALL CLEANUPS SHALL OCCUR WITHIN TWENTY-FOUR (24) HOURS AFTER FIRST WRITTEN NOTIFICATION TO THE OWNER/APPLICANT BY THE BOARD OR ITS DESIGNEE. FAILURE TO COMPLETE SUCH CLEANUP MAY RESULT IN SUSPENSION OF CONSTRUCTION OF THE SITE UNTIL SUCH PUBLIC WAY IS CLEAR OF DEBRIS.
- THE OWNER/APPLICANT SHALL INSTALL EROSION CONTROL DEVICES AS NECESSARY AND AS DIRECTED BY THE TOWN'S CONSTRUCTION INSPECTOR.
- MAINTENANCE AND REPAIR OF THE PARKING AREA, WATER SUPPLY SYSTEM, SEWER PIPES, ELECTRIC DISTRIBUTION SYSTEM, AND STORM WATER SYSTEM SHALL BE THE RESPONSIBILITY OF THE OWNER/APPLICANT AND SHALL NEVER BE THE RESPONSIBILITY OF THE TOWN AND THE TOWN SHALL NEVER BE REQUIRED TO PERFORM ANY SERVICE, REPAIR OR MAINTENANCE WITH RESPECT TO SAID AREAS, OR ANY OF THE AFOREMENTIONED SYSTEMS WITHIN THE SUBJECT PROPERTY. THE TOWN WILL NEVER BE REQUIRED TO PROVIDE SNOW PLOWING OR TRASH PICKUP, WITH RESPECT TO THE SUBJECT PROPERTY.
- PRIOR TO CONSTRUCTION ACTIVITIES, THERE SHALL BE A PRE-CONSTRUCTION MEETING WITH THE OWNER/APPLICANT, AND HIS CONTRACTOR(S), THE DEPARTMENT OF PUBLIC WORKS AND THE PLANNING BOARD'S OBSERVATION CONTRACTOR.
- PRIOR TO ENDORSEMENT, THE APPLICANT IS TO SHOW THE GARAGE BAY DOORS ON THE SITE PLAN.
- THE BOARD ALSO NOTES THAT A MEMO WAS RECEIVED THE APPLICANT'S ENGINEER DATED MAY 18, 2023, INDICATING CHANGES WERE MADE TO THE PLANS.

WAIVERS:

- TO ALLOW THE USE OF HDPE PIPING INSTEAD OF REINFORCED CONCRETE PIPING
- 185-21.C(S) - ALLOW 2 TREES INSTEAD OF THE REQUIRED 7 TREES

ISSUED FOR INITIAL REVIEW: FEBRUARY 21, 2023
REVISION 1: APRIL 4, 2023
REVISION 2: APRIL 14, 2023
REVISION 3: MAY 1, 2023
REVISION 4: MAY 11, 2023
REVISION 5: MAY 18, 2023
FINAL SITE PLAN: OCTOBER 24, 2023
ISSUED FOR SITE PLAN AMENDMENT: DECEMBER 14, 2023

APPROVED: TOWN OF FRANKLIN PLANNING BOARD	
_____	DATE APPROVED
_____	DATE SIGNED
_____	PLANNING BOARD MEMBER
_____	PLANNING BOARD MEMBER
_____	PLANNING BOARD MEMBER



Brian D. Jones
12-14-23

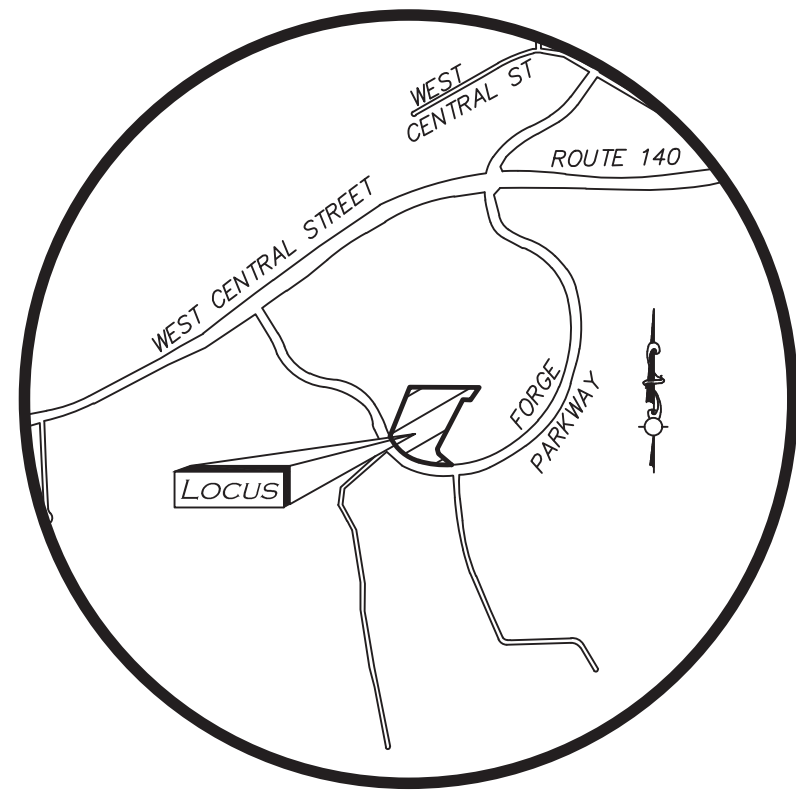
PROFESSIONAL ENGINEER FOR
ALLEN & MAJOR ASSOCIATES, INC.

PREPARED BY:

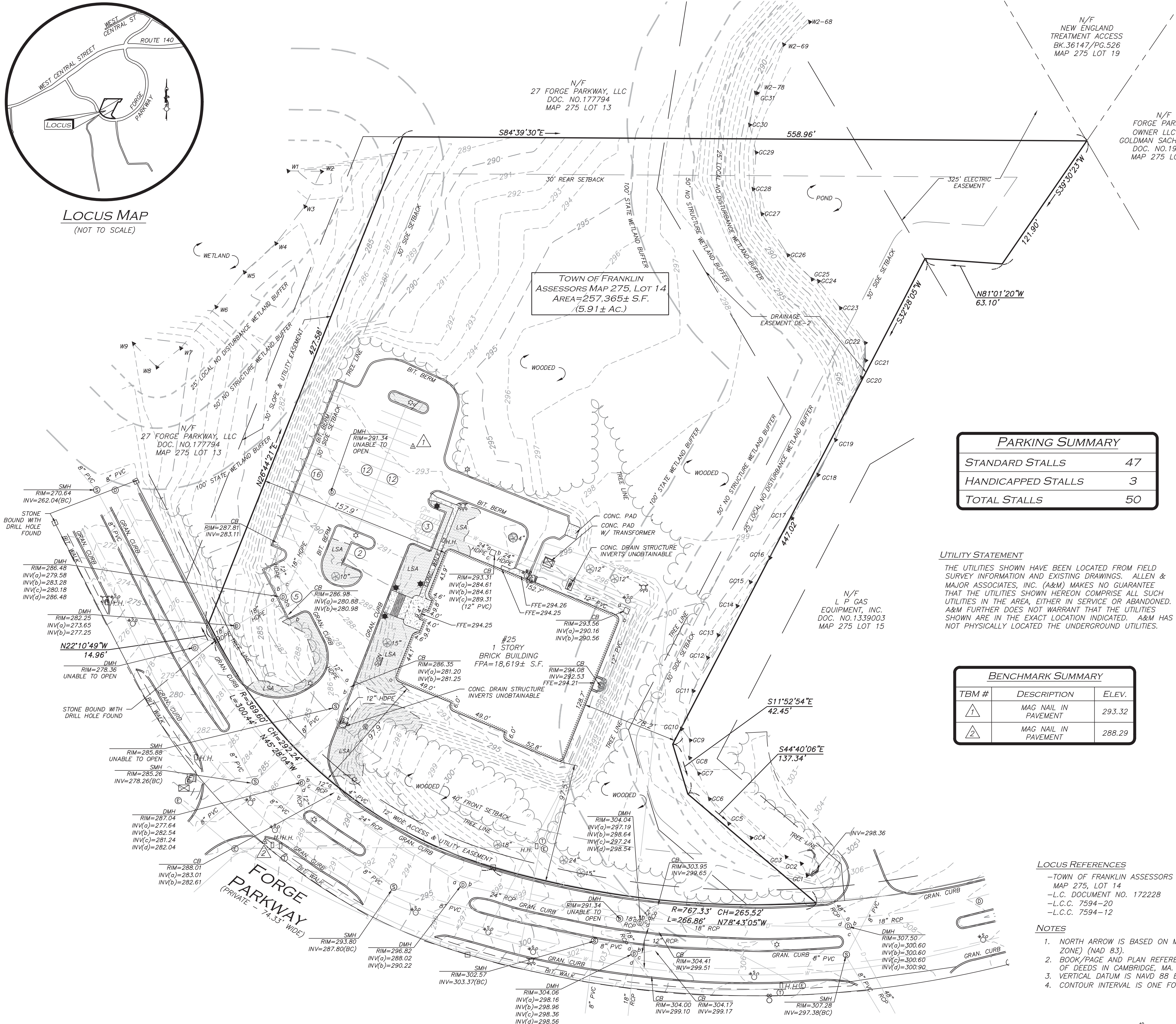


ALLEN & MAJOR ASSOCIATES, INC.
 civil engineering • land surveying
 environmental consulting • landscape architecture
 www.allenmajor.com
 100 COMMERCE WAY, SUITE 5
 WOBURN MA 01801
 TEL: (781) 935-6889
 FAX: (781) 935-2896

WOBURN, MA • LAKEVILLE, MA • MANCHESTER, NH
 Copyright © 2023 Allen & Major Associates, Inc.
 All Rights Reserved



LOCUS MAP
(NOT TO SCALE)



TOWN OF FRANKLIN
ASSESSORS MAP 275, LOT 14
AREA=257,365± S.F.
(5.91± AC.)

PARKING SUMMARY	
STANDARD STALLS	47
HANDICAPPED STALLS	3
TOTAL STALLS	50

UTILITY STATEMENT
THE UTILITIES SHOWN HAVE BEEN LOCATED FROM FIELD SURVEY INFORMATION AND EXISTING DRAWINGS. ALLEN & MAJOR ASSOCIATES, INC. (A&M) MAKES NO GUARANTEE THAT THE UTILITIES SHOWN HEREON COMPRISE ALL SUCH UTILITIES IN THE AREA, EITHER IN SERVICE OR ABANDONED. A&M FURTHER DOES NOT WARRANT THAT THE UTILITIES SHOWN ARE IN THE EXACT LOCATION INDICATED. A&M HAS NOT PHYSICALLY LOCATED THE UNDERGROUND UTILITIES.

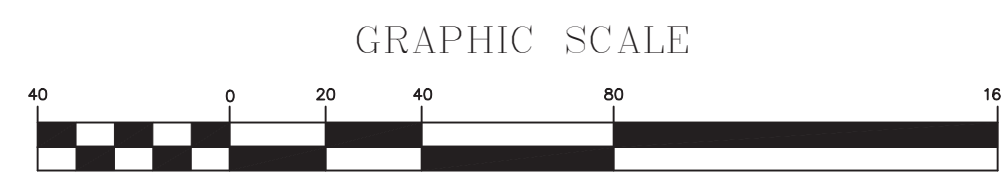
BENCHMARK SUMMARY		
TBM #	DESCRIPTION	ELEV.
1	MAG NAIL IN PAVEMENT	293.32
2	MAG NAIL IN PAVEMENT	288.29

- LOCUS REFERENCES**
- TOWN OF FRANKLIN ASSESSORS MAP 275, LOT 14
 - L.C. DOCUMENT NO. 172228
 - L.C.C. 7594-20
 - L.C.C. 7594-12

- NOTES**
- NORTH ARROW IS BASED ON MASSACHUSETTS GRID COORDINATE SYSTEM (MAINLAND ZONE) (NAD 83).
 - BOOK/PAGE AND PLAN REFERENCES ARE TAKEN FROM MIDDLESEX (SOUTH) REGISTRY OF DEEDS IN CAMBRIDGE, MA.
 - VERTICAL DATUM IS NAVD 88 ESTABLISHED USING RTK GPS OBSERVATION.
 - CONTOUR INTERVAL IS ONE FOOT (1').

LEGEND

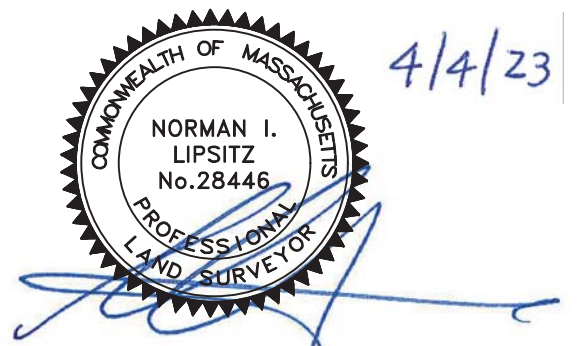
- STONE BOUND (SB)
- DRAIN MANHOLE (DMH)
- SEWER MANHOLE (SMH)
- ELECTRIC MANHOLE (EMH)
- TELEPHONE MANHOLE (TMH)
- CATCH BASIN (CB)
- FIRE HYDRANT
- WATER GATE
- SIGN
- SIGN
- LIGHT
- PEDESTAL LIGHT
- CLEANOUT
- INVERT (INV)
- TREE
- ELECTRIC BOX
- WETLAND FLAG
- HAND HOLE
- HANDICAPPED PARKING SPACE
- TRANSFORMER
- GAS METER
- GAS GATE
- CONCRETE
- LANDSCAPED AREA (LSA)
- BUILDING
- BUILDING OVERHANG
- WETLAND
- BUFFER ZONE
- EASEMENT LINE
- 1' CONTOUR
- 5' CONTOUR
- PROPERTY LINE
- ABUTTERS LINE
- TREE LINE
- EDGE OF PAVEMENT
- CURB
- WATER LINE
- SEWER LINE
- DRAIN LINE
- GAS LINE
- ELECTRIC LINE
- TELEPHONE LINE
- BITUMINOUS
- CONCRETE
- GRANITE
- BOTTOM CENTER
- REINFORCED CONCRETE PIPE
- POLYVINYL CHLORIDE PIPE
- NOW OR FORMERLY
- BOOK
- PAGE
- DOCUMENT
- LAND COURT
- LAND COURT CASE



R:\PROJECTS\2712-02\SURVEY\DRAWINGS\CURRENT\5-2712-02-EC.DWG

WE HEREBY CERTIFY THAT THIS PLAN IS THE RESULT OF AN ACTUAL ON THE GROUND SURVEY PERFORMED ON OR BETWEEN APRIL 1, 2021 AND FEBRUARY 15, 2023.

APR. 4, 2023
PROFESSIONAL LAND SURVEYOR FOR ALLEN & MAJOR ASSOCIATES, INC.



REV	DATE	DESCRIPTION
1.	04/04/23	PEER REVIEW COMMENTS

APPLICANT/OWNER:
GREEN SITE SERVICES GROUP
24 WILLIAM WAY
BELLINGHAM, MA 02019

PROJECT:
25 FORGE PARKWAY
FRANKLIN, MA

PROJECT NO.	2712-02	DATE:	2/15/23
SCALE:	1" = 40'	DWG. NAME:	5-2712-02-EC
DRAFTED BY:	AJR	CHECKED BY:	NIL

PREPARED BY:
ALLEN & MAJOR ASSOCIATES, INC.
civil engineering • land surveying
environmental consulting • landscape architecture
www.allenmajor.com
100 COMMERCE WAY
WOBURN MA 01801-8501
TEL: (781) 935-6889
FAX: (781) 935-2886

WOBURN, MA • LAKEVILLE, MA • MANCHESTER, NH
THIS DRAWING HAS BEEN PREPARED IN DIGITAL FORMAT. CLIENTS/CLIENTS REPRESENTATIVE OR CONSULTANTS MAY BE PROVIDED COPIES OF DRAWINGS AND SPECIFICATIONS FOR HIS/HER INFORMATION AND/OR SPECIFIC USE ON THIS PROJECT. DUE TO THE POTENTIAL THAT THE PROVIDED INFORMATION MAY BE MODIFIED UNINTENTIONALLY OR OTHERWISE, ALLEN & MAJOR ASSOCIATES, INC. MAY REMOVE ALL INDICATION OF THE DOCUMENT'S AUTHORSHIP ON THE DIGITAL MEDIA. PRINTED REPRESENTATIONS OR PORTABLE DOCUMENT FORMAT OF THE DRAWINGS AND SPECIFICATIONS ISSUED SHALL BE THE ONLY RECORD COPIES OF ALLEN & MAJOR ASSOCIATES, INC.'S WORK PRODUCT.

DRAWING TITLE:	SHEET NO.
EXISTING CONDITIONS	V-101

Copyright © 2023 Allen & Major Associates, Inc. All Rights Reserved.

EROSION CONTROL NOTES

EROSION & SEDIMENTATION CONTROL NOTES:

1. EROSION CONTROL SHALL BE INSTALLED PRIOR TO CONSTRUCTION AND SHALL BE ADEQUATE TO MAINTAIN SEDIMENT ON SITE. ANY MODIFICATIONS TO SILT CONTROLS SHOWN ON THE APPROVED PLANS AS A RESULT OF ACTUAL FIELD CONDITIONS OR CONSTRUCTION PRACTICES SHALL BE INSTALLED IN ACCORDANCE WITH B.M.P. (BEST MANAGEMENT PRACTICES) PER THE E.P.A. 2022 "CONSTRUCTION GENERAL PERMIT" MANUAL, AND MASSACHUSETTS 2003 EROSION & SEDIMENT CONTROL GUIDELINES FOR URBAN AND SUBURBAN AREAS, ANY SUCH MODIFICATIONS FROM THE ABOVE MANUALS SHALL BE INSTALLED AS APPROVED BY THE ENGINEER OR THE LOCAL MUNICIPALITY.
2. AREAS OF EXPOSED SOIL UNDERGOING CONSTRUCTION THAT WILL NOT BE COVERED AND OR FINISHED GRADED SHALL BE STABILIZED AS SOON AS PRACTICABLE BUT IN NO CASE MORE THAN 14 DAYS AFTER THE CONSTRUCTION ACTIVITY (UNLESS MUNICIPALITY HAS STRICTER REQUIREMENTS WHICH SHALL BE FOLLOWED) IN THAT PORTION OF THE SITE HAS TEMPORARILY OR PERMANENTLY CEASED. TEMPORARY EROSION CONTROL MEASURES SHALL INCLUDE EROSION CONTROL MESH, NETTING OR MULCH AS DIRECTED BY THE OWNER'S REPRESENTATIVE AND SHOWN ON THE DESIGN PLANS. IF MULCH IS USED, STRAW MULCH SHALL BE APPLIED AT THE RATE OF 4 BALES PER 1,000 SQUARE FEET. APPLICATION AREA SHALL BE SUFFICIENTLY COVERED WITH MULCH TO AVOID ANY VISIBLE SOIL EXPOSURE. MULCH SHALL BE KEPT MOIST TO AVOID LOSS DUE TO WIND. MULCH AND NETTING SHALL BE APPLIED IN THE BASE OF ALL GRASSED WATERWAYS, IN VEGETATIVE SLOPES WHICH EXCEED 15% AND DISTURBED AREAS WITHIN 100 FEET OF WETLANDS OR STREAMS.
3. IF DISTURBED AREAS DO NOT RECEIVE FINAL SEEDING BY OCTOBER 1ST OF THE CONSTRUCTION YEAR, THEN ALL DISTURBED AREAS SHALL BE SEEDED WITH A WINTER COVER CROP AT THE RATE OF 3 LBS PER 1,000 SQUARE FEET. WINTER SEEDING SHALL BE COVERED WITH EROSION CONTROL MESH (MULCH AND NETTING). HEAVY GRADE MATS SHALL BE USED IN THE BASE OF ALL GRASSED WATERWAYS ON VEGETATED SLOPES IN EXCESS OF 15%, AND ANY DISTURBED AREAS WITHIN 100 FEET OF WETLANDS OR STREAMS. MULCH AND NETTING SHALL ALSO BE PROVIDED FOR ADDITIONAL WINTER PROTECTION.
4. ALL TOPSOIL SHALL BE COLLECTED, STOCKPILED, SEEDED WITH RYE AT 3LBS PER 1000 SQUARE FOOT AND MULCHED, AND REUSED AS REQUIRED. TUBULAR BARRIERS SHALL BE PLACED DOWN GRADIENT FROM STOCKPILED LOAM. LOAM SHALL BE STOCKPILED AT LOCATIONS DESIGNATED BY THE OWNER AND ENGINEER.
5. ALL TUBULAR BARRIERS, SILT SACKS, AND EROSION CONTROL BERMS SHALL BE INSTALLED ACCORDING TO THE SITE PREPARATION PLAN. THESE SHALL BE MAINTAINED DURING DEVELOPMENT TO REMOVE SEDIMENT FROM RUNOFF WATER. ALL THE FILTER BARRIERS AND EROSION CONTROL BERMS SHALL BE INSPECTED AFTER ANY RAINFALL OR RUNOFF EVENT, MAINTAINED AND CLEANED UNTIL ALL AREAS HAVE AT LEAST 85-90% VIGOROUS PERENNIAL COVER OF GRASSES.
6. ADJACENT ROADS SHALL BE PERIODICALLY SWEEPED OR WASHED TO AVOID TRACKING MUD, DUST OR DEBRIS FROM THE CONSTRUCTION AREA AS OFTEN AS NECESSARY (WHICH COULD BE ON A DAILY BASIS) TO REMOVE ANY SOIL OR SEDIMENTS AT NO ADDITIONAL COST TO THE OWNER. A WATERING TRUCK WILL BE USED TO PERIODICALLY SPRINKLE CONSTRUCTION AREAS IN ORDER TO KEEP THE LEVEL OF DUST TO A MINIMUM DURING THE DRY MONTHS AT NO ADDITIONAL COST TO THE OWNER.
7. THE CONTRACTOR SHALL USE EXTREME CAUTION TO AVOID ALLOWING SEDIMENTS TO ENTER THE STORM DRAIN SYSTEM DURING CONSTRUCTION. BOTH EXISTING AND PROPOSED CATCH BASIN INLETS SHALL BE PROTECTED DURING CONSTRUCTION BY THE USE SILT SACKS AND/OR TUBULAR BARRIERS AROUND EACH INLET AS NOTED ON THE PLANS. INLET PROTECTION MAY BE REMOVED ONLY AFTER FINISHED AREAS ARE PAVED AND THE VEGETATED SLOPES ARE ESTABLISHED WITH AT LEAST 85-90% OF VIGOROUS PERENNIAL GROWTH.
8. AS APPLICABLE, EROSION CONTROL MESH SHALL BE APPLIED IN ACCORDANCE WITH THE PLANS OVER ALL FINISHED SEEDED AREAS AS SPECIFIED ON THE DESIGN PLANS.
9. AT A MINIMUM, ALL TUBULAR BARRIERS AND FILTER FABRIC SHALL REMAIN IN PLACE UNTIL SEEDINGS OR PLANTINGS HAVE BECOME 85-90% ESTABLISHED. THE LOCAL CONSERVATION COMMISSION MUST APPROVE THE REMOVAL OR RELOCATION OF ANY OF THE TUBULAR BARRIERS AND FILTER FABRIC. ONCE THE TUBULAR BARRIERS ARE REMOVED THE AREAS ARE TO BE LOAMED AND SEEDED TO ACHIEVE FULL STABILIZATION.
10. AT THE OWNER'S DISCRETION ADDITIONAL EROSION CONTROL MEASURES MAY BE REQUIRED TO MAINTAIN STABILITY OF EARTHWORKS AND FINISHED GRADED AREAS. THE CONTRACTOR, AT HIS EXPENSE, WILL BE RESPONSIBLE FOR PROVIDING AND INSTALLING ANY ADDITIONAL MEASURES AS SPECIFIED BY THE OWNER. THIS INCLUDES BUT IS NOT LIMITED TO REQUESTS BY MA DEP, THE ENGINEER AND THE LOCAL MUNICIPALITY, AS AUTHORIZED BY THE OWNER. FAILURE TO COMPLY WITH THE OWNER'S DIRECTIONS WILL RESULT IN DISCONTINUATION OF CONSTRUCTION ACTIVITIES.
11. INSPECTIONS AND MONITORING MAINTENANCE MEASURES SHALL BE APPLIED AS NEEDED DURING THE ENTIRE CONSTRUCTION CYCLE. WEEKLY INSPECTIONS SHALL BE HELD THROUGHOUT THE DURATION OF CONSTRUCTION ACTIVITY. WEEKLY INSPECTION REPORTS SHALL BE MAINTAINED BY THE CONTRACTOR AND LOCATED IN THE CONTRACTORS FIELD OFFICE ONSITE. IN ADDITION TO THE NORMAL WEEKLY INSPECTIONS, THE CONTRACTOR SHALL PERFORM AN INSPECTION OF ALL EROSION CONTROL MEASURES AFTER EACH RAINFALL OF 0.25" OR MORE, AND PERFORM THE NECESSARY REPAIRS. THE INSPECTIONS SHALL INCLUDE BUT NOT BE LIMITED TO THE SITE'S DOWN STREAM DISCHARGE POINTS.
12. IF ANY EVIDENCE OF SEDIMENTATION IS OBSERVED AT THE STORMWATER MANAGEMENT AREA INLETS, THE CONTRACTOR SHALL, AT HIS OWN EXPENSE, PROVIDE A PLAN TO THE ENGINEER TO REMOVE ANY ACCUMULATED SEDIMENT IN THESE AREAS. THE CONTRACTOR SHALL ALSO IMMEDIATELY PROVIDE ADDITIONAL ON SITE EROSION AND SEDIMENTATION CONTROL MEASURES TO PREVENT FURTHER DEGRADATION OF THE AREA.
13. FOLLOWING THE TEMPORARY OR FINAL SEEDINGS, THE CONTRACTOR SHALL INSPECT THE WORK AREA SEMI-MONTHLY TO ENSURE THE AREAS HAVE A MINIMUM OF 85-90% VEGETATED VIGOROUS GROWTH. RE-SEEDING SHALL BE CARRIED OUT BY THE CONTRACTOR WITH FOLLOW UP INSPECTIONS IN THE EVENT OF ANY FAILURES UNTIL VEGETATION IS ADEQUATELY ESTABLISHED.
14. CONTRACTOR & ALL SITE SUBCONTRACTORS SHALL BE FAMILIAR WITH & FOLLOW ALL APPROVED PERMITS AND CONDITIONS. CONTRACTOR SHALL MAINTAIN A COPY OF ALL APPROVED PERMITS ONSITE. ALL CONDITIONS & RECOMMENDATIONS WITHIN THE APPROVED PERMITS SHALL BE COMPLETED.
15. ALL EROSION MEASURES SHALL BE INSTALLED PRIOR TO CONSTRUCTION AND SHALL BE ADEQUATE TO MAINTAIN SEDIMENT ON SITE. ANY MODIFICATIONS SHALL BE INSTALLED AS DIRECTED BY THE ENGINEER OR THE LOCAL MUNICIPALITY.
16. EROSION AND SEDIMENTATION CONTROL MEASURES SHALL BE MAINTAINED DURING CONSTRUCTION, AND SHALL REMAIN IN PLACE UNTIL ALL SITE WORK IS COMPLETE AND GROUND COVER IS ESTABLISHED.
17. TOP OF STOCKPILES SHALL BE COVERED IN SUCH MANNER THAT STORMWATER DOES NOT INFILTRATE THE MATERIALS AND THEREBY RENDER THE SAME UNSUITABLE FOR FILL USE.

EROSION & SEDIMENTATION CONTROL NOTES (CONTINUED):

18. ALL DISTURBED OR EXPOSED AREAS SUBJECT TO EROSION SHALL BE STABILIZED WITH MULCH OR SEEDED FOR TEMPORARY VEGETATIVE COVER. NO AREA, SUBJECT TO EROSION SHALL BE LEFT DISTURBED AND UNSTABILIZED FOR PERIODS LONGER THAN IS ABSOLUTELY NECESSARY TO CARRY OUT THAT PORTION OF THE CONSTRUCTION WORK OR SIX MONTHS AFTER SOIL HAS BEEN DISTURBED WHICHEVER IS LESS.
19. CULVERT/PIPE INLETS AND OUTFALLS SHALL BE PROTECTED BY TUBULAR BARRIER FILTERS AND STONE CHECK DAMS UNTIL DISTURBED AREAS ARE PERMANENTLY STABILIZED.
20. TUBULAR BARRIER DIKES SHALL BE CONSTRUCTED AT ALL EXISTING & PROPOSED CATCH BASINS. NO SEDIMENTATION SHALL ENTER THE ON-SITE OR OFF-SITE DRAINAGE SYSTEMS AT ANY TIME.
21. ALL EROSION CONTROL MEASURES SHALL BE ROUTINELY INSPECTED, CLEANED AND REPAIRED OR REPLACED AS NECESSARY THROUGHOUT ALL PHASES OF CONSTRUCTION. IN ADDITION, INSPECTIONS SHALL TAKE PLACE WEEKLY AND BEFORE AND AFTER EACH RAINFALL EVENT.
22. ALL PROPOSED SLOPES STEEPER THAN 3:1 SHALL BE STABILIZED WITH JUTE MESH AND PROTECTED FROM EROSION UNTIL WORK IS COMPLETE AND GROUND COVER IS ESTABLISHED.
23. THE CONTRACTOR SHALL KEEP ON SITE AT ALL TIMES ADDITIONAL TUBULAR BARRIERS FOR INSTALLATION AT THE DIRECTION OF THE ENGINEER OR THE TOWN ENGINEER TO MITIGATE ANY EMERGENCY CONDITION.
24. AS CONSTRUCTION DISTURBANCE IS GREATER THAN 1 ACRE, A NATIONAL POLLUTANT DISCHARGE ELIMINATION SYSTEM (NPDES) CONSTRUCTION GENERAL PERMIT NOI, AND STORM WATER POLLUTION PREVENTION PLAN (SWPPP) WILL NEED TO BE SUBMITTED TO THE EPA. THE NPDES PERMIT FOR STORM WATER DISCHARGE, & CONSTRUCTION GENERAL PERMIT NOI WILL BE REQUIRED TO BE SUBMITTED AT LEAST 14 DAYS PRIOR TO COMMENCING CONSTRUCTION BY THE CONTRACTOR.
25. OWNER AND CONTRACTOR ARE RESPONSIBLE FOR COMPLIANCE WITH THE CONSTRUCTION GENERAL PERMIT NOI. WEEKLY SWPPP INSPECTION REPORTS TO BE PERFORMED BY CONTRACTOR. COPIES OF ALL SWPPP INSPECTION REPORTS SHALL BE PROVIDED TO THE LOCAL MUNICIPALITY, EPA, DEP, OR ANY OTHER AUTHORITY REQUESTING WITHIN 3 DAYS OF EACH INSPECTION.
26. APPLICABLE WORK AND MATERIALS SHALL COMPLY WITH ALL LOCAL, MA DEP, EPA CONSTRUCTION GENERAL PERMIT STANDARDS. ALL CONSTRUCTION SHALL CONFORM TO THE APPLICABLE SITE PLAN REGULATIONS FROM THE LOCAL AND USDA SOIL CONSERVATION SERVICE VEGETATIVE PRACTICES IN SITE DEVELOPMENT.
27. A WATERING TRUCK SHALL BE USED TO PERIODICALLY SPRINKLE CONSTRUCTION AREAS IN ORDER TO KEEP THE LEVEL OF DUST TO A MINIMUM DURING THE DRY MONTHS AND AS REQUIRED.
28. IF DEWATERING IS NECESSARY IT SHALL ONLY BE COMPLETED AS FOLLOWS: THE DISCHARGE SHALL BE STOPPED IMMEDIATELY IF THE RECEIVING AREA SHOWS ANY SIGN OF INSTABILITY OR EROSION. ALL CHANNELS, SWALES, AND DITCHES DUG FOR DISCHARGING WATER FROM THE EXCAVATED AREA SHALL BE STABLE PRIOR TO DIRECTING DISCHARGE TO THEM. IF A CONSTRUCTION EQUIPMENT BUCKET IS USED, IT SHALL EMPTY THE MATERIAL TO A STABLE AREA. NO DEWATERING SHALL OCCUR DURING PERIODS OF INTENSE, HEAVY RAIN. FLOW TO THE SEDIMENT REMOVAL STRUCTURE SHALL NOT EXCEED THE STRUCTURE'S CAPACITY TO SETTLE AND FILTER FLOW OR ITS VOLUME CAPACITY. WHENEVER POSSIBLE, THE DISCHARGE FROM THE SEDIMENT REMOVAL STRUCTURE SHALL DRAIN TO A WELL-VEGETATED BUFFER BY SHEET FLOW WHILE MAXIMIZING THE DISTANCE TO THE NEAREST WATER RESOURCE AND MINIMIZING THE SLOPE OF THE BUFFER AREA. THERE SHALL BE NO DIRECT DISCHARGE TO EXISTING WETLANDS OR STREAMS. ALL DISCHARGE SHALL BE IN COMPLIANCE WITH STATE, LOCAL, AND FEDERAL REQUIREMENTS.
29. INITIATE STABILIZATION OF EXPOSED AREAS IMMEDIATELY IF CONSTRUCTION WORK TEMPORARILY OR PERMANENTLY CEASES.
30. ALL DISCHARGES FROM POLLUTION SOURCES ARE PROHIBITED ONSITE SUCH AS FUELS, WASTEWATER FROM WASH OUT OF CONCRETE, WASTEWATER FROM CLEAN OUT OF PAINTS, FORM RELEASE OILS, SOLVENTS, ADHESIVES, CURING COMPOUNDS, POLLUTANTS USED FOR MAINTENANCE OF VEHICLES AND EQUIPMENT, SOAPS & SOLVENTS, TOXIC OR HAZARDOUS SUBSTANCES, CHEMICALS AND OILS. IF A POLLUTANT IS DISCHARGED IT NEEDS TO BE IMMEDIATELY CLEANED UP BY REMOVING THE CHEMICAL AND AFFECTED SOIL OR AREA OF SPILL FROM THE SITE IN ACCORDANCE WITH BOTH THE MANUFACTURER RECOMMENDATIONS, FEDERAL, STATE, AND LOCAL REQUIREMENTS. DO NOT HOSE DOWN AND SPREAD SPILLED ITEM. ALL CHEMICALS USED ON THE SITE SHALL BE IN LEAK-PROOF CONTAINERS STORED AWAY FROM WETLANDS, SURFACE WATERS, STORMWATER INLETS, AND DRAINAGE MEASURES. SPILL KITS SHALL BE AVAILABLE ONSITE FOR EMERGENCY USE. THERE SHALL BE A SECONDARY CONTAINMENT MEASURE OF ALL CHEMICALS IN ADDITION TO SPILL-PROOF CONTAINERS.
31. PRIOR TO COMMENCEMENT OF CONSTRUCTION, APPLICABLE CONTRACTOR PERSONNEL MUST HAVE AN UNDERSTANDING OF THE EPA CONSTRUCTION GENERAL PERMIT REQUIREMENTS AND THEIR SPECIFIC RESPONSIBILITIES UNDER THE PERMIT. AT A MINIMUM, PERSONNEL MUST BE TRAINED AND UNDERSTAND THE FOLLOWING: LOCATION OF ALL STORMWATER CONTROLS AND HOW TO MAINTAIN THEM, PROCEDURES FOR COMPLYING WITH THE POLLUTION PREVENTION REQUIREMENTS, PROCEDURES FOR CONDUCTING INSPECTIONS, RECORDING FINDINGS, AND TAKING CORRECTIVE ACTION.
32. ALL SEDIMENT TRACKED ONTO ROADWAYS MUST BE REMOVED AT END OF EACH WORK DAY.
33. ALL USE OF CATIONIC TREATMENT CHEMICALS (EXAMPLES INCLUDE POLYMERS, CHITOSAN, CATIONIC PAM, FLOCCULANTS OR OTHER CHEMICAL UTILIZED FOR STABILIZATION) ARE PROHIBITED. IF ALL OTHER AVAILABLE STABILIZATION MEASURES ARE NOT POSSIBLE AND USE OF CATIONIC CHEMICALS IS ABSOLUTELY NECESSARY THE CONTRACTOR WILL NEED TO CONTACT THE EPA NEW ENGLAND OFFICE IN WRITING FOR APPROVAL AND SPECIFIC REQUIREMENTS (MAXIMUM DOSAGE RATE, RESIDUAL TESTING, SPECIFIC LIMITATIONS, ETC) PRIOR TO USE.
34. IF USING NON-VEGETATIVE STABILIZATION MEASURES, IT MUST BE COMPLETED NO LATER THAN 14 DAYS AFTER INITIATING STABILIZATION. ALL AREAS OF EXPOSED SOILS MUST BE COVERED.
35. INSPECTIONS OF EROSION CONTROL MEASURES SHALL BE AT LEAST ONCE EVERY 7 DAYS BY THE CONTRACTOR. AT A MINIMUM INSPECTIONS SHALL INCLUDE ALL DISTURBED AREAS, ALL STORMWATER CONTROLS AND POLLUTION PREVENTION MEASURES, ALL LOCATIONS WHERE STABILIZATION MEASURES HAVE BEEN IMPLEMENTED, EQUIPMENT AND MATERIAL STORAGE AREAS, ALL AREAS WHERE STORMWATER FLOWS AND ALL POINTS OF DISCHARGE. WHEN CORRECTIVE ACTIONS ARE REQUIRED, THE CONTRACTOR MUST IMMEDIATELY TAKE ALL STEPS TO PREVENT POLLUTANT DISCHARGES UNTIL A PERMANENT SOLUTION IS IMPLEMENTED. AS NECESSARY NEW OR MODIFIED CONTROLS MUST BE INSTALLED AND OPERATIONAL. THE REPAIR MUST BE COMPLETED WITHIN 7 DAYS FROM THE TIME OF DISCOVERY. WITHIN 24 HOURS OF A TRIGGERING CONDITION OCCURRING THAT REQUIRES A CORRECTIVE ACTION, A CORRECTIVE ACTION REPORT MUST BE COMPLETED.

MAINTENANCE:

ALL MEASURES STATED ON THE STORMWATER POLLUTION PREVENTION PLANS, SHALL BE MAINTAINED IN FULLY FUNCTIONAL CONDITION BY CONTRACTOR UNTIL NO LONGER REQUIRED FOR A COMPLETED PHASE OF WORK OR FINAL STABILIZATION OF THE SITE. ALL EROSION AND SEDIMENTATION CONTROL MEASURES SHALL BE CHECKED BY A QUALIFIED PERSON IN ACCORDANCE WITH THE CONTRACT DOCUMENTS OR THE APPLICABLE PERMIT, WHICHEVER IS MORE STRINGENT, AND REPAIRED IN ACCORDANCE WITH THE FOLLOWING:

1. INLET PROTECTION DEVICES AND BARRIERS SHALL BE REPAIRED OR REPLACED IF THEY SHOW SIGNS OF UNDERMINING, OR DETERIORATION.
2. ALL SEEDED AREAS SHALL BE CHECKED REGULARLY TO SEE THAT A HEALTHY STAND OF GRASS IS MAINTAINED. AREAS SHOULD BE FERTILIZED, WATERED, AND RESEEDED AS NEEDED.
3. ALL SEDIMENT CONTROLS SHALL BE REPAIRED TO THEIR ORIGINAL CONDITIONS IF DAMAGED. SEDIMENT SHALL BE REMOVED FROM THE TUBULAR SEDIMENT CONTROLS WHEN IT REACHES HALF THE HEIGHT OF THE CONTROL MEASURE OR AS REQUESTED BY THE OWNER OR ENGINEER.
4. THE CONSTRUCTION ENTRANCES SHALL BE MAINTAINED IN A CONDITION WHICH WILL PREVENT TRACKING OR FLOW OF MUD ONTO PUBLIC RIGHTS-OF-WAY. THIS MAY REQUIRE PERIODIC TOP DRESSING OF THE CONSTRUCTION ENTRANCES AS CONDITIONS DEMAND.
5. THE TEMPORARY PARKING AND STORAGE AREA SHALL BE KEPT IN GOOD CONDITION (SUITABLE FOR PARKING AND STORAGE). THIS MAY REQUIRE PERIODIC TOP DRESSING OF THE TEMPORARY PARKING AS CONDITIONS DEMAND.
6. OUTLET STRUCTURES IN THE SEDIMENTATION BASINS SHALL BE MAINTAINED IN OPERATIONAL CONDITIONS AT ALL TIMES. SEDIMENT SHALL BE REMOVED FROM SEDIMENT BASINS OR TRAPS WHEN THE DESIGN CAPACITY HAS BEEN REDUCED BY 50%.

CONSTRUCTION GENERAL PERMIT NOTES AND NARRATIVE:

NARRATIVE: THE STORMWATER POLLUTION PREVENTION PLANS CONSIST OF THE SITE PREPARATION PLAN TOGETHER WITH AN EXISTING CONDITIONS PLANS, GRADING PLANS, ABBREVIATIONS AND NOTES SHEETS, AND DETAIL SHEETS.

THE EROSION CONTROL PLAN WILL BE IMPLEMENTED TO:

- A. TREAT EROSION AS SOON AS POSSIBLE AFTER DISTURBANCE.
- B. PREVENT SEDIMENT FROM LEAVING THE CONSTRUCTION AREA AND ENTERING THE RECEIVING WATERS.
- C. CONSTRUCTION ACTIVITIES SHALL BE SCHEDULED TO MINIMIZE EROSION.
- D. ONLY DISTURB, CLEAR, OR GRADE AREAS NECESSARY FOR CONSTRUCTION.



Brian D. Jones
12-4-23

PROFESSIONAL ENGINEER FOR
ALLEN & MAJOR ASSOCIATES, INC.

REV	DATE	DESCRIPTION
7	12-14-23	ISSUED FOR SITE PLAN AMENDMENT
6	10-24-23	REVISED PER CONDITIONS OF APPROVAL
5	05-18-23	REVISION 5 PER REVIEW COMMENTS
4	05-11-23	REVISION 4 PER REVIEW COMMENTS
3	05-01-23	REVISION 3 PER REVIEW COMMENTS
2	04-14-23	REVISION 2 PER DPW COMMENTS
1	04-04-23	REVISION 1 PER PEER REVIEW

APPLICANT/OWNER:

TMC HOLDINGS & DEVELOPMENT 2, LLC
24 WILLIAM WAY
BELLINGHAM, MA 02019

PROJECT:

25 FORGE PARKWAY
FRANKLIN, MA

PROJECT NO.	2712-02A	DATE:	02-21-23
SCALE:	NONE	DWG. NAME:	C-2712-02A
DESIGNED BY:	SM/JRG	CHECKED BY:	BDJ

PREPARED BY:



ALLEN & MAJOR
ASSOCIATES, INC.

civil engineering • land surveying
environmental consulting • landscape architecture
www.allenmajor.com
100 COMMERCE WAY, SUITE 5
WOBURN MA 01801
TEL: (781) 935-6889
FAX: (781) 935-2896

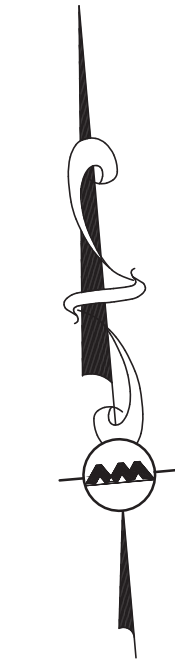
WOBURN, MA • LAKEVILLE, MA • MANCHESTER, NH

THIS DRAWING HAS BEEN PREPARED IN DIGITAL FORMAT. CLIENT/CLIENTS REPRESENTATIVE OR CONSULTANTS MAY BE PROVIDED COPIES OF DRAWINGS AND SPECIFICATIONS FOR HIS/HER INFORMATION AND/OR SPECIFIC USE ON THIS PROJECT. DUE TO THE POTENTIAL THAT THE PROVIDED INFORMATION MAY BE MODIFIED UNINTENTIONALLY OR OTHERWISE, ALLEN & MAJOR ASSOCIATES, INC. MAY REMOVE ALL INDICATION OF THE DOCUMENT'S AUTHORSHIP ON THE DIGITAL MEDIA. PRINTED REPRESENTATIONS OR PORTABLE DOCUMENT FORMAT OF THE DRAWINGS AND SPECIFICATIONS ISSUED SHALL BE THE ONLY RECORD COPIES OF ALLEN & MAJOR ASSOCIATES, INC.'S WORK PRODUCT.

DRAWING TITLE:	SHEET No.
EROSION CONTROL & SITE PREPARATION NOTES	C-100
Copyright © 2023 Allen & Major Associates, Inc. All Rights Reserved	

GENERAL SEQUENCE OF CONSTRUCTION:

- CONTACT THE TOWN ENGINEERING DEPARTMENT AT LEAST TWO (2) WEEKS PRIOR TO START OF CONSTRUCTION. GROUND BREAKING IS EXPECTED TO BEGIN ON JUNE 1, 2023 AND THE PROJECT IS ANTICIPATED TO TAKE 12 MONTHS UNTIL COMPLETION.
- INSTALL STABILIZED CONSTRUCTION ENTRANCES. SITE ACCESS SHALL BE ACHIEVED ONLY FROM THE DESIGNATED CONSTRUCTION ENTRANCE.
- PREPARE TEMPORARY PARKING AND STORAGE AREA. UPON IMPLEMENTATION AND INSTALLATION OF THE FOLLOWING AREAS: TRAILER PARKING, LAY DOWN, WHEEL WASH, CONCRETE WASHOUT, MASONRY AREA, FUEL AND MATERIAL STORAGE CONTAINERS, SOLID WASTE CONTAINERS, ETC., DENOTE THEM ON THE SITE MAPS IMMEDIATELY AND NOTE ANY CHANGES IN THE LOCATIONS AS THEY OCCUR THROUGHOUT THE CONSTRUCTION PROCESS.
- INSTALL THE TUBULAR BARRIERS AND SILT SACKS AS SHOWN HEREON. EROSION CONTROL BARRIERS MUST BE INSPECTED AND APPROVED BY A PROFESSIONAL ENGINEER OR LICENSED WETLANDS SCIENTIST. NO SEDIMENTATION BARRIER MAY BE REMOVED WITHOUT PRIOR APPROVAL OF THE COMMISSION OR ITS STAFF.
- CLEAR AND GRUB THE SITE.
- CONSTRUCT TEMPORARY SEDIMENTATION AND SEDIMENT TRAP BASINS AS NECESSARY.
- CONSTRUCT STORMWATER MEASURES. SITE SHALL BE STABILIZED PRIOR TO STORMWATER MEASURES RECEIVING RUNOFF.
- START CONSTRUCTION OF BUILDING PAD AND STRUCTURES. TEMPORARILY SEED DENuded AREAS. ALL CUT AND FILL SLOPES SHALL BE SEEDED / LOAMED WITHIN 72 HOURS OF ACHIEVING FINISH GRADE, EXCEPT WHERE RIP RAP IS APPLIED.
- INSTALL BUILDING, UTILITIES, STORM SEWERS, CURBS AND GUTTERS.
- INSTALL INLET PROTECTION DEVICES AROUND ALL STORM DRAIN STRUCTURES.
- INSTALL RIP RAP AROUND OUTLET STRUCTURES.
- FINALIZE GRADING, AND PREPARE SITE FOR PAVING. NOTE, ALL PARKING LOTS SHALL BE STABILIZED WITHIN 72 HOURS OF ACHIEVING FINISH GRADE.
- PAVE SITE. COMPLETE FINISH GRADING AND INSTALL PERMANENT SEEDING AND PLANTING.
- ONCE SITE IS STABILIZED, REMOVE ALL TEMPORARY EROSION AND SEDIMENT CONTROL DEVICES.
- ALL EROSION CONTROL MEASURES SHALL BE INSPECTED WEEKLY AND AFTER ALL RAINFALL EVENTS GREATER THAN 0.25", AND SHALL BE MAINTAINED, REPAIRED OR REPLACED AS REQUIRED OR AT THE DIRECTION OF THE OWNER'S ENGINEER, OR THE TOWN ENGINEER.
- SEDIMENT ACCUMULATION UP-GRADIENT OF THE TUBULAR BARRIERS GREATER THAN 6" IN DEPTH SHALL BE REMOVED AND DISPOSED OF IN ACCORDANCE WITH ALL APPLICABLE REGULATIONS.
- IF IT APPEARS THAT SEDIMENT IS EXITING THE SITE, SILT SACKS SHALL BE INSTALLED IN ALL CATCH BASINS ADJACENT TO THE SITE. SEDIMENT ACCUMULATION ON ALL ADJACENT CATCH BASIN INLETS SHALL BE REMOVED AND THE SILT SACK REPLACED IF TORN OR DAMAGED.
- THE CONTRACTOR SHALL COMPLY WITH THE GENERAL AND EROSION NOTES AS SHOWN ON THE SITE DEVELOPMENT PLANS, SEE ALSO SHEET C-001.



LEGEND

- LIMIT OF DISTURBANCE: - - - - -
- LIMIT OF 'CLEAR AND GRUB': - - - - -
- STABILIZED ENTRANCE: [Pattern]
- STOCKPILE/STAGING AREA: [Pattern]
- TUBULAR BARRIER: x - x - x
- UTILITY CUT AND CAP: E
- CATCH BASIN FILTER: [Symbol]

NOTES:

- THE CONTRACTOR IS SPECIFICALLY CAUTIONED THAT THE LOCATION AND/OR ELEVATION OF EXISTING UTILITIES AND STRUCTURES AS SHOWN ON THESE PLANS IS BASED ON RECORDS OF VARIOUS UTILITY COMPANIES AND WHERE POSSIBLE, MEASUREMENTS TAKEN IN THE FIELD. THIS INFORMATION IS NOT TO BE RELIED ON AS BEING EXACT OR COMPLETE. THE LOCATION OF ALL UNDERGROUND UTILITIES AND STRUCTURES SHALL BE VERIFIED IN THE FIELD BY THE CONTRACTOR PRIOR TO THE START OF CONSTRUCTION.
- THE CONTRACTOR SHALL DETERMINE THE EXACT LOCATION OF ALL EXISTING UTILITIES BEFORE COMMENCING WORK, AND AGREES TO BE FULLY RESPONSIBLE FOR ANY AND ALL DAMAGES WHICH MIGHT BE OCCASIONED BY THE CONTRACTOR'S FAILURE TO EXACTLY LOCATE AND PRESERVE ANY AND ALL UNDERGROUND UTILITIES.
- THE CONTRACTOR MUST CONTACT THE APPROPRIATE UTILITY COMPANY, ANY GOVERNING PERMITTING AUTHORITY, AND "DIGSAFE" AT LEAST 72 HOURS PRIOR TO ANY EXCAVATION WORK TO REQUEST EXACT FIELD LOCATION OF UTILITIES. THE ENGINEER SHALL BE NOTIFIED IN WRITING OF ANY UTILITIES INTERFERING WITH THE PROPOSED CONSTRUCTION AND APPROPRIATE REMEDIAL ACTION TAKEN BEFORE PROCEEDING WITH THE WORK. IT SHALL BE THE RESPONSIBILITY OF THE CONTRACTOR TO RELOCATE ALL EXISTING UTILITIES WHICH CONFLICT WITH THE PROPOSED IMPROVEMENTS SHOWN ON THE PLANS.
- ALTHOUGH CERTAIN ITEMS HAVE BEEN NOTED ON THIS DRAWING FOR DEMOLITION, NO ATTEMPT HAS BEEN MADE TO DELINEATE EACH AND EVERY ITEM THAT REQUIRES DEMOLITION FOR THE COMPLETION OF THE PROJECT. THE CONTRACTOR WILL BE RESPONSIBLE FOR ALL NECESSARY DEMOLITION WORK TO COMPLETE THE PROJECT. ALLEN & MAJOR ASSOCIATES, INC. IS NOT RESPONSIBLE FOR SITE DEMOLITION ITEMS NOT SHOWN ON THE SURVEY, OR SPECIFICALLY NOTED. THE DEMOLITION NOTES AND ARROWS ON THIS PLAN ARE TYPICAL AND DO NOT REFLECT QUANTITY.
- THE ENGINEER SHALL BE NOTIFIED IN WRITING OF ANY UTILITIES INTERFERING WITH THE PROPOSED CONSTRUCTION AND APPROPRIATE REMEDIAL ACTION TAKEN BEFORE PROCEEDING WITH THE WORK. IT SHALL BE THE RESPONSIBILITY OF THE CONTRACTOR TO RELOCATE ALL EXISTING UTILITIES WHICH CONFLICT WITH THE PROPOSED IMPROVEMENTS SHOWN ON THE PLAN.
- EROSION CONTROL MEASURES SHALL BE INSTALLED PRIOR TO THE START OF CONSTRUCTION. IF IT ADDITIONAL MEASURES ARE NECESSARY DURING CONSTRUCTION THEY SHALL BE INSTALLED IMMEDIATELY AND WITHOUT DELAY. SEE DETAIL SHEET C-501 FOR ADDITIONAL INFORMATION.
- INLET PROTECTION SHALL BE INSTALLED IN PROPOSED CATCH BASINS IMMEDIATELY UPON CONSTRUCTION.
- THE INFORMATION SHOWN ON THIS PLAN IS THE SOLE PROPERTY OF ALLEN & MAJOR ASSOCIATES, INC. ITS INTENDED USE IS TO PROVIDE INFORMATION. ANY ALTERATION, MISUSE, OR RECALCULATION OF INFORMATION OR DATA WITHOUT THE EXPRESSED, WRITTEN CONSENT OF ALLEN & MAJOR ASSOCIATES, INC. IS STRICTLY PROHIBITED.



Brian D. Jones
12-4-23

PROFESSIONAL ENGINEER FOR ALLEN & MAJOR ASSOCIATES, INC.

REV	DATE	DESCRIPTION
7	12-14-23	ISSUED FOR SITE PLAN AMENDMENT
6	10-24-23	REVISED PER CONDITIONS OF APPROVAL
5	05-18-23	REVISION 5 PER REVIEW COMMENTS
4	05-11-23	REVISION 4 PER REVIEW COMMENTS
3	05-01-23	REVISION 3 PER REVIEW COMMENTS
2	04-14-23	REVISION 2 PER DPW COMMENTS
1	04-04-23	REVISION 1 PER PEER REVIEW

APPLICANT/OWNER:
TMC HOLDINGS & DEVELOPMENT 2, LLC
24 WILLIAM WAY
BELLINGHAM, MA 02019

PROJECT:
25 FORGE PARKWAY
FRANKLIN, MA

PROJECT NO.	2712-02A	DATE:	02-21-23
SCALE:	1" = 40'	DWG. NAME:	C-2712-02A
DESIGNED BY:	SM/JRG	CHECKED BY:	BDJ

PREPARED BY:

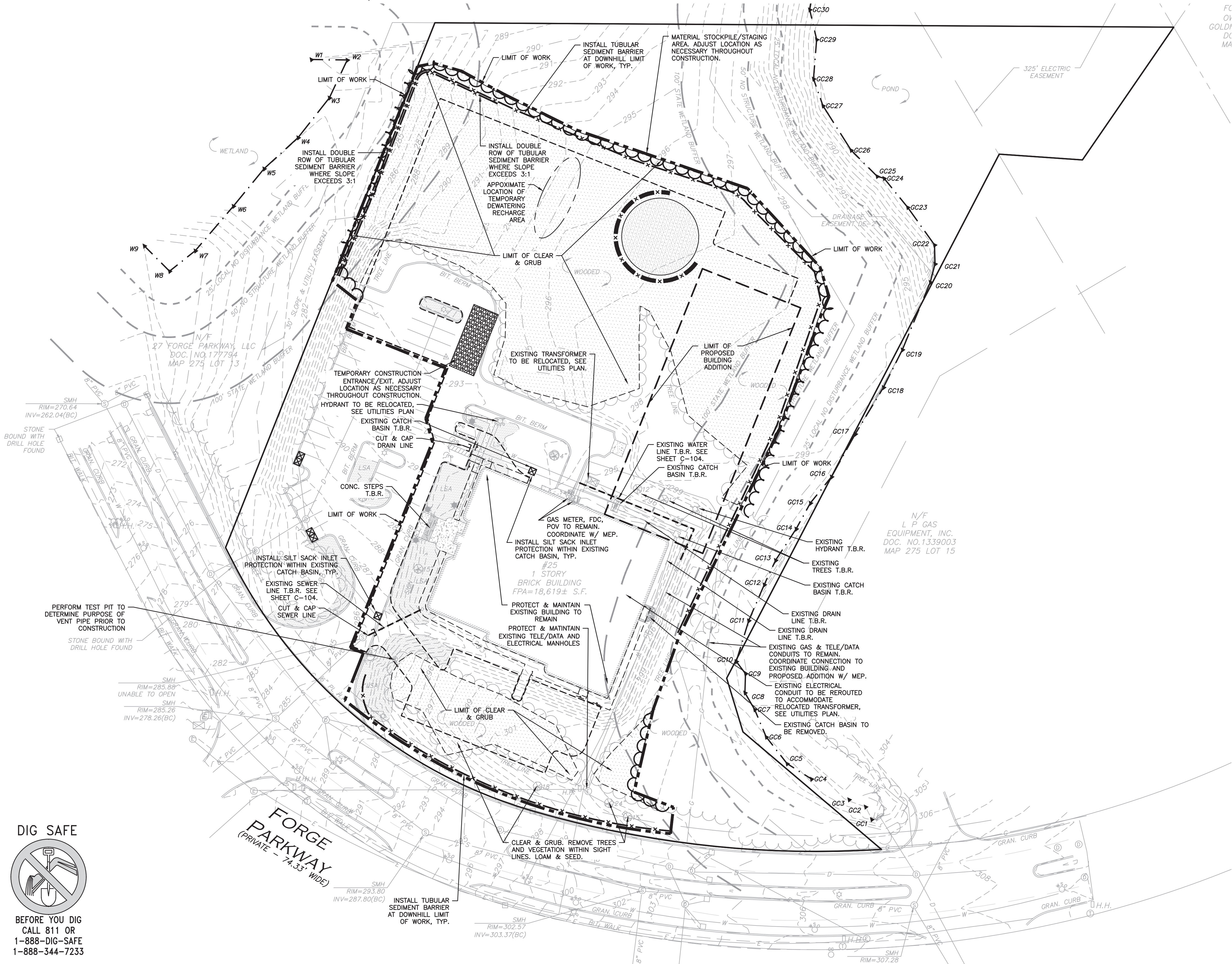
ALLEN & MAJOR ASSOCIATES, INC.
civil engineering • landscape architecture
environmental consulting • landscape architecture
www.allenmajor.com
100 COMMERCE WAY, SUITE 5
WOBURN MA 01801
TEL: (781) 935-6889
FAX: (781) 935-2896

WOBURN, MA • LAKEVILLE, MA • MANCHESTER, NH

THIS DRAWING HAS BEEN PREPARED IN DIGITAL FORMAT. CLIENT/CLIENTS REPRESENTATIVE OR CONSULTANTS MAY BE PROVIDED COPIES OF DRAWINGS AND SPECIFICATIONS FOR HIS/HER INFORMATION AND/OR SPECIFIC USE ON THIS PROJECT. DUE TO THE POTENTIAL THAT THE PROVIDED INFORMATION MAY BE MODIFIED UNINTENTIONALLY OR OTHERWISE, ALLEN & MAJOR ASSOCIATES, INC. MAY REMOVE ALL INDICATION OF THE DOCUMENT'S AUTHORSHIP ON THE DIGITAL MEDIA. PRINTED REPRESENTATIONS OR PORTABLE DOCUMENT FORMAT OF THE DRAWINGS AND SPECIFICATIONS ISSUED SHALL BE THE ONLY RECORD COPIES OF ALLEN & MAJOR ASSOCIATES, INC.'S WORK PRODUCT.

DRAWING TITLE:	SHEET No.
SITE PREPARATION PLAN	C-101

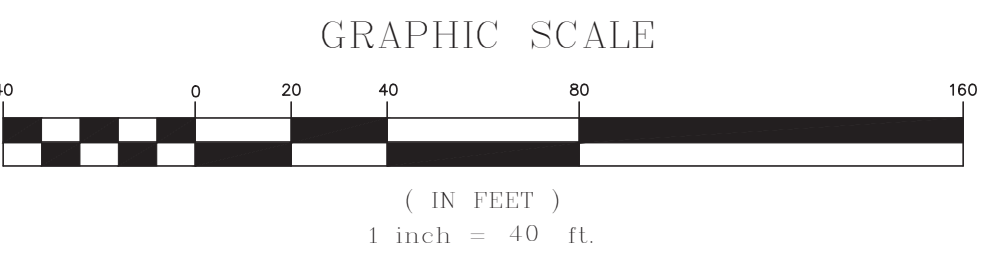
Copyright © 2023 Allen & Major Associates, Inc. All Rights Reserved



FC
OI
GOLDI
DC
MA

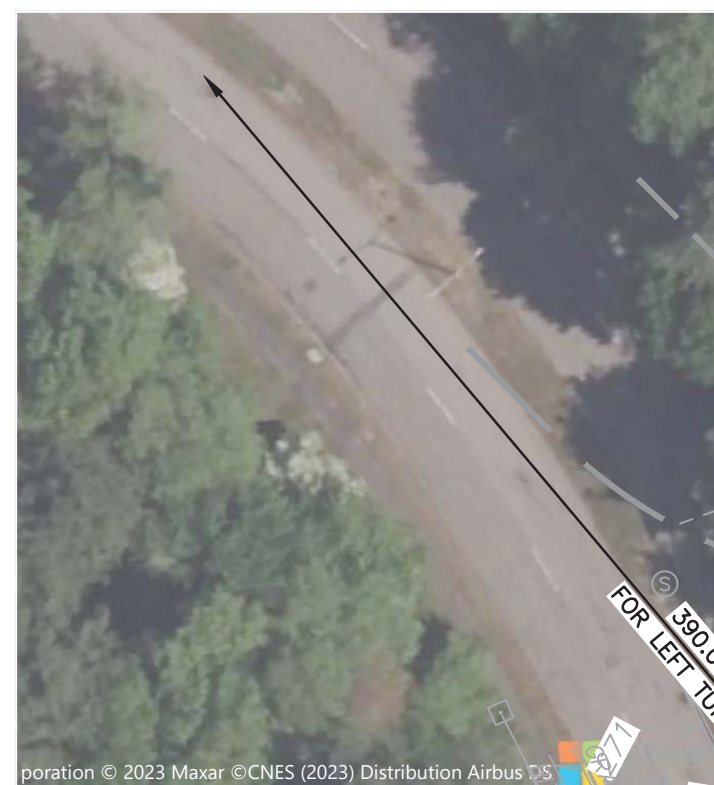
DIG SAFE

BEFORE YOU DIG
CALL 811 OR
1-888-DIG-SAFE
1-888-344-7233

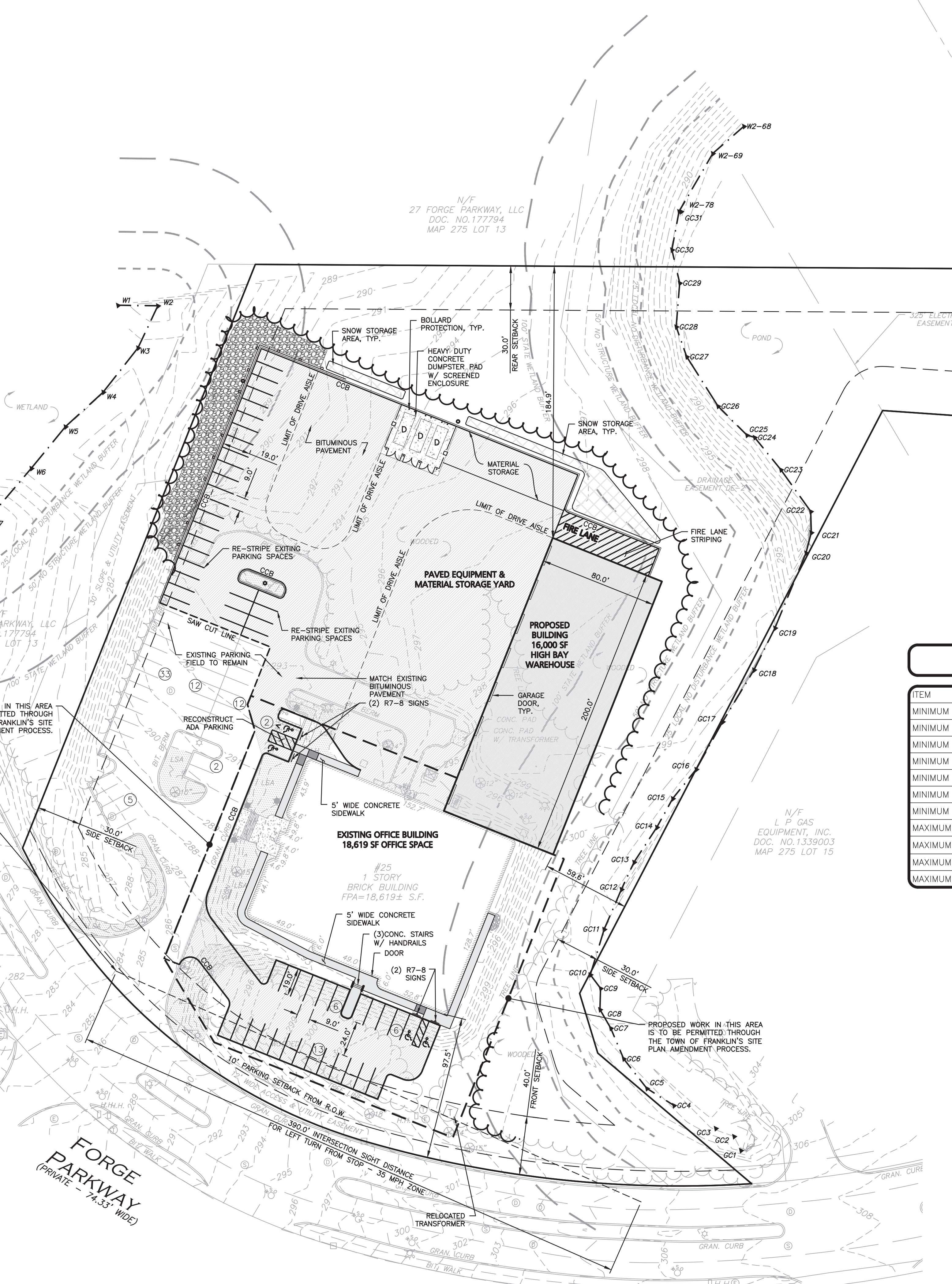


NOTES:

1. ALL CURB RADII SHALL BE 3' UNLESS OTHERWISE NOTED.
2. PARKING DIMENSIONS ARE TAKEN FROM THE FACE OF CURB UNLESS OTHERWISE NOTED.
3. CONSTRUCTION DURING WET WEATHER OR WINTER CONDITIONS IS TO BE ANTICIPATED AND PROVISIONS TO ADEQUATELY ADDRESS THESE CONDITIONS SHALL BE THE RESPONSIBILITY OF THE CONTRACTOR.
4. ALL CONSTRUCTION SHALL CONFORM TO THE APPLICABLE REGULATIONS AND STANDARDS INCLUDING THE TOWN OF FRANKLIN, MADOT, MADEP, MUTCO, AND AASHTO.
5. WRITTEN DIMENSIONS ON THIS PLAN TAKE PRECEDENCE OVER SCALED DIMENSIONS. THE CONTRACTOR SHALL USE CAUTION WHEN SCALING REPRODUCED PLANS. IN THE EVENT OF A CONFLICT BETWEEN THIS PLAN SET AND ANY OTHER DRAWINGS AND/OR SPECIFICATIONS OR CONDITIONS, THE ENGINEER SHALL BE NOTIFIED BY THE CONTRACTOR. ALL SITE ITEMS SHALL BE LAID OUT AND AS BUILT BY A LICENSED LAND SURVEYOR.
6. EXISTING CONDITIONS WERE COMPILED FROM AN ON THE GROUND SURVEY PERFORMED BY ALLEN & MAJOR ASSOCIATES, INC. AS WELL AS AVAILABLE RECORD PLANS OBTAINED FROM THE TOWN OF FRANKLIN, MA AND OTHER SOURCES.
7. THE CONTRACTOR MUST CONTACT THE APPROPRIATE UTILITY COMPANY, ANY GOVERNING PERMITTING AUTHORITY, AND "DIGSAFE" AT LEAST 72 HOURS PRIOR TO ANY EXCAVATION WORK. THE CONTRACTOR SHALL ALSO CONTACT THE TOWN OF FRANKLIN, MA DEPARTMENT OF PUBLIC WORKS AT LEAST 72 HOURS PRIOR TO ANY EXCAVATION WORK TO REQUEST EXACT FIELD LOCATION OF LOCAL UTILITIES.
8. THE INFORMATION SHOWN ON THIS PLAN IS THE SOLE PROPERTY OF ALLEN & MAJOR ASSOCIATES, INC. ANY ALTERATION, MISUSE, OR RECALCULATION OF INFORMATION OR DATA WITHOUT THE EXPRESSED, WRITTEN CONSENT OF ALLEN & MAJOR ASSOCIATES, INC. IS STRICTLY PROHIBITED.
9. FLOOR DRAINS IN THE PROPOSED BUILDING ADDITION SHALL FLOW THROUGH A GAS TRAP PRIOR TO DISCHARGE TO THE MUNICIPAL SANITARY SYSTEM.



R:\PROJECTS\2712-02A\CIVIL\DRAWINGS\CURRENT\C-2712-02A_LAYOUT & MATERIALS.DWG



LEGEND

- PROPERTY LINE
- BOLLARD
- SIGN
- BUILDING
- CURB
- PARKING STRIPING
- HEAVY DUTY CONCRETE
- BITUMINOUS PAVEMENT
- SNOW STORAGE
- STEEL GUARDRAIL
- WOOD FENCE
- SETBACK LINE
- SAW-CUT LINE
- PARKING COUNT
- RIPRAP
- TREE LINE
- ADA ACCESSIBLE RAMP
- SIDEWALK
- TRANSFORMER
- CAPE COD BERM

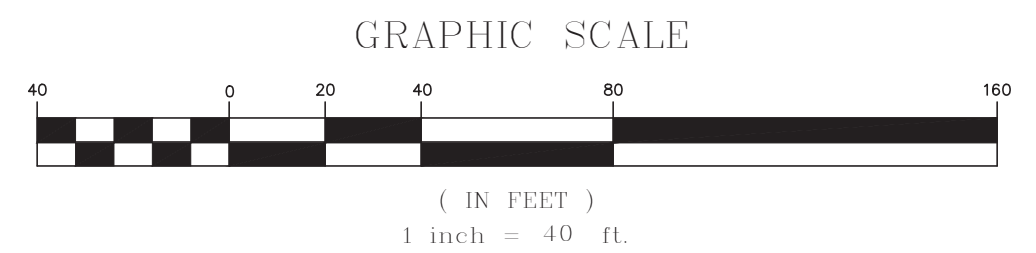
TOWN OF FRANKLIN INDUSTRIAL (I) DISTRICT

ITEM	REQUIRED	EXISTING	PROPOSED
MINIMUM LOT AREA	40,000 SF	257,365 SF	257,365 SF
MINIMUM CONTINUOUS FRONTAGE	175 FEET	582 FEET	582 FEET
MINIMUM LOT DEPTH	200 FEET	619 FEET	619 FEET
MINIMUM LOT WIDTH	157.5 FEET	196 FEET	196 FEET
MINIMUM FRONT SETBACK	40 FEET	97.5 FEET	97.5 FEET
MINIMUM SIDE SETBACK	30 FEET	78.2 FEET	59.6 FEET
MINIMUM REAR SETBACK	30 FEET	336.7 FEET	184.9 FEET
MAXIMUM BUILDING STORIES	3	1	1
MAXIMUM BUILDING HEIGHT	N/A	20± FEET	28 FEET
MAXIMUM STRUCTURE COVERAGE	70%	7.23%	13.5%
MAXIMUM IMPERVIOUS COVERAGE	80%	18.5%	45.1%

OFF-STREET PARKING AND LOADING SUMMARY TABLE

USE: EXISTING OFFICE BUILDING: 18,619 SF	REQUIRED
1 SPACES PER 250 SQUARE FEET	74 PARKING SPACES
18,619 SF / 250 = 74 SPACES	
USE: WAREHOUSE: 16,000 SQUARE FEET	16 PARKING SPACES
1 SPACE REQUIRED PER 1,000 SQUARE FEET	
16,000 SF / 1,000 = 16 SPACES	
TOTAL REQUIRED PARKING = 90	PARKING SPACES
ACCESSIBLE PARKING SPACE REQUIREMENT:	4 ADA SPACES
FOR 76 TO 100 SPACES, 4 SHALL BE ACCESSIBLE, 1 SHALL BE VAN ACCESSIBLE	
TOTAL PARKING PROVIDED: 91 PARKING SPACES	
STANDARD	87
ACCESSIBLE	4

TABLE NOTES:
 1. PROPOSED PARKING SPACES SHALL BE A MINIMUM OF 9 FEET IN WIDTH AND 19 FEET IN DEPTH FOR 90' PARKING.



Brian D. Jones
12-4-23

PROFESSIONAL ENGINEER FOR ALLEN & MAJOR ASSOCIATES, INC.

REV	DATE	DESCRIPTION
7	12-14-23	ISSUED FOR SITE PLAN AMENDMENT
6	10-24-23	REVISED PER CONDITIONS OF APPROVAL
5	05-18-23	REVISION 5 PER REVIEW COMMENTS
4	05-11-23	REVISION 4 PER REVIEW COMMENTS
3	05-01-23	REVISION 3 PER REVIEW COMMENTS
2	04-14-23	REVISION 2 PER DPW COMMENTS
1	04-04-23	REVISION 1 PER PEER REVIEW

APPLICANT/OWNER:
TMC HOLDINGS & DEVELOPMENT 2, LLC
 24 WILLIAM WAY
 BELLINGHAM, MA 02019

PROJECT:
25 FORGE PARKWAY
 FRANKLIN, MA

PROJECT NO. 2712-02A DATE: 02-21-23
 SCALE: 1" = 40' DWG. NAME: C-2712-02A
 DESIGNED BY: SM/JRG CHECKED BY: BDI

PREPARED BY:

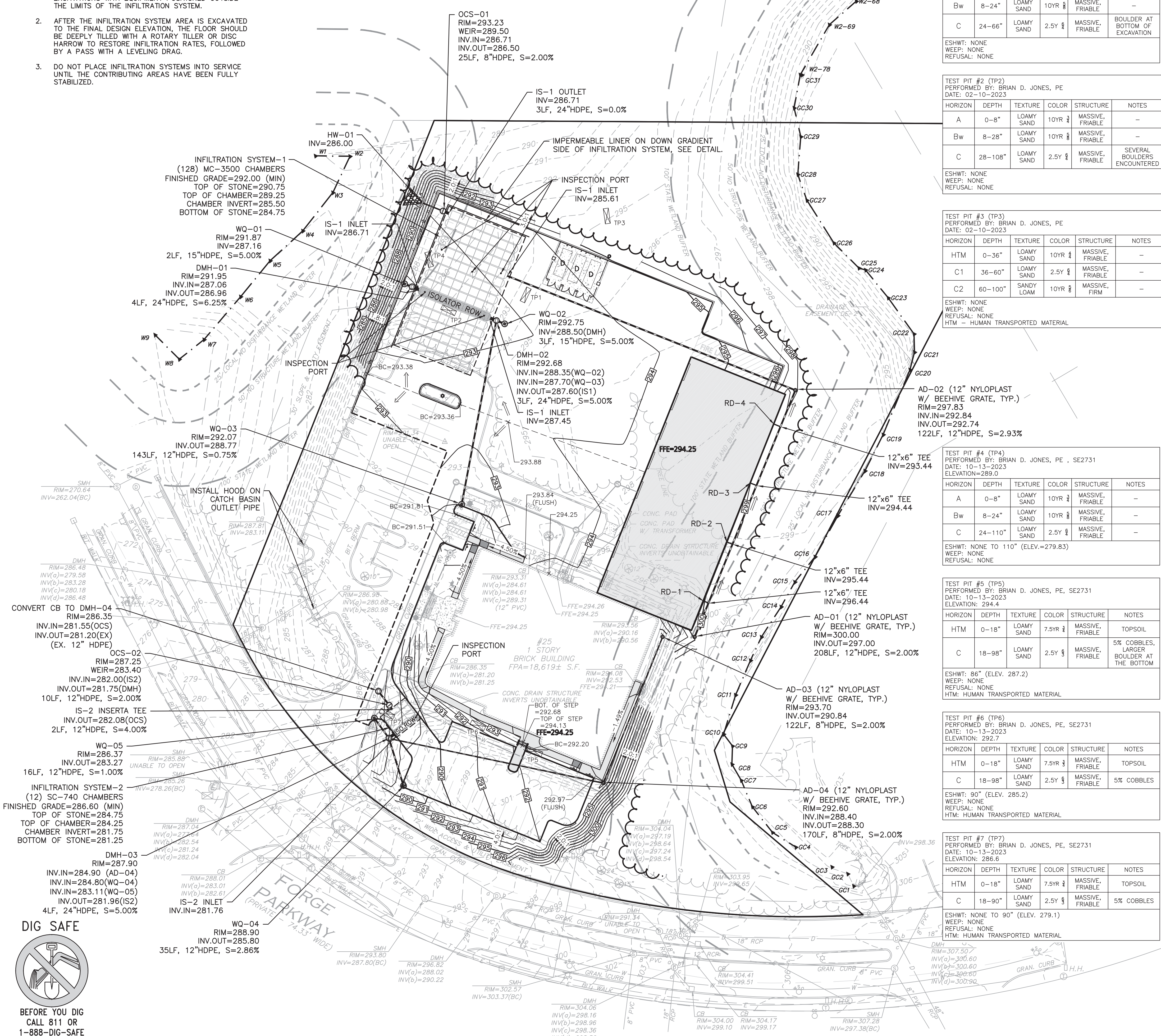
ALLEN & MAJOR ASSOCIATES, INC.
 civil engineering • land surveying
 environmental consulting • landscape architecture
 www.allenmajor.com
 100 COMMERCE WAY, SUITE 5
 WOBURN MA 01801
 TEL: (781) 935-6889
 FAX: (781) 935-2896

WOBURN, MA • LAKEVILLE, MA • MANCHESTER, NH
 THIS DRAWING HAS BEEN PREPARED IN DIGITAL FORMAT. CLIENT/CLIENTS REPRESENTATIVE OR CONSULTANTS MAY BE PROVIDED COPIES OF DRAWINGS AND SPECIFICATIONS FOR HIS/HER INFORMATION AND/OR SPECIFIC USE ON THIS PROJECT. DUE TO THE POTENTIAL THAT THE PROVIDED INFORMATION MAY BE MODIFIED UNINTENTIONALLY OR OTHERWISE, ALLEN & MAJOR ASSOCIATES, INC. MAY REMOVE ALL INDICATION OF THE DOCUMENT'S AUTHORSHIP ON THE DIGITAL MEDIA. PRINTED REPRESENTATIONS OR PORTABLE DOCUMENT FORMAT OF THE DRAWINGS AND SPECIFICATIONS ISSUED SHALL BE THE ONLY RECORD COPIES OF ALLEN & MAJOR ASSOCIATES, INC.'S WORK PRODUCT.

DRAWING TITLE: LAYOUT & MATERIALS PLAN SHEET No. C-102

INFILTRATION SYSTEM PROTECTION NOTES

- DO NOT TRAFFIC EXPOSED SOIL SURFACE WITH CONSTRUCTION EQUIPMENT. IF FEASIBLE, PERFORM EXCAVATIONS WITH EQUIPMENT POSITIONED OUTSIDE THE LIMITS OF THE INFILTRATION SYSTEM.
- AFTER THE INFILTRATION SYSTEM AREA IS EXCAVATED TO THE FINAL DESIGN ELEVATION, THE FLOOR SHOULD BE DEEPLY TILLED WITH A ROTARY TILLER OR DISC HARROW TO RESTORE INFILTRATION RATES, FOLLOWED BY A PASS WITH A LEVELING DRAG.
- DO NOT PLACE INFILTRATION SYSTEMS INTO SERVICE UNTIL THE CONTRIBUTING AREAS HAVE BEEN FULLY STABILIZED.



TEST PIT #1 (TP1)
PERFORMED BY: BRIAN D. JONES, PE
DATE: 02-10-2023

HORIZON	DEPTH	TEXTURE	COLOR	STRUCTURE	NOTES
A	0-8"	LOAMY SAND	10YR 2	MASSIVE, FRIABLE	-
Bw	8-24"	LOAMY SAND	10YR 2	MASSIVE, FRIABLE	-
C	24-66"	LOAMY SAND	2.5Y 2	MASSIVE, FRIABLE	BOULDER AT BOTTOM OF EXCAVATION

ESHWT: NONE
WEEP: NONE
REFUSAL: NONE

TEST PIT #2 (TP2)
PERFORMED BY: BRIAN D. JONES, PE
DATE: 02-10-2023

HORIZON	DEPTH	TEXTURE	COLOR	STRUCTURE	NOTES
A	0-8"	LOAMY SAND	10YR 2	MASSIVE, FRIABLE	-
Bw	8-28"	LOAMY SAND	10YR 2	MASSIVE, FRIABLE	-
C	28-108"	LOAMY SAND	2.5Y 2	MASSIVE, FRIABLE	SEVERAL BOULDERS ENCOUNTERED

ESHWT: NONE
WEEP: NONE
REFUSAL: NONE

TEST PIT #3 (TP3)
PERFORMED BY: BRIAN D. JONES, PE
DATE: 02-10-2023

HORIZON	DEPTH	TEXTURE	COLOR	STRUCTURE	NOTES
HTM	0-36"	LOAMY SAND	10YR 2	MASSIVE, FRIABLE	-
C1	36-60"	LOAMY SAND	2.5Y 2	MASSIVE, FRIABLE	-
C2	60-100"	SANDY LOAM	10YR 2	MASSIVE, FIRM	-

ESHWT: NONE
WEEP: NONE
REFUSAL: NONE
HTM - HUMAN TRANSPORTED MATERIAL

TEST PIT #4 (TP4)
PERFORMED BY: BRIAN D. JONES, PE, SE2731
DATE: 10-13-2023
ELEVATION: 289.0

HORIZON	DEPTH	TEXTURE	COLOR	STRUCTURE	NOTES
A	0-8"	LOAMY SAND	10YR 2	MASSIVE, FRIABLE	-
Bw	8-24"	LOAMY SAND	10YR 2	MASSIVE, FRIABLE	-
C	24-110"	LOAMY SAND	2.5Y 2	MASSIVE, FRIABLE	-

ESHWT: NONE TO 110" (ELEV.=279.83)
WEEP: NONE
REFUSAL: NONE

TEST PIT #5 (TP5)
PERFORMED BY: BRIAN D. JONES, PE, SE2731
DATE: 10-13-2023
ELEVATION: 294.4

HORIZON	DEPTH	TEXTURE	COLOR	STRUCTURE	NOTES
HTM	0-18"	LOAMY SAND	7.5YR 2	MASSIVE, FRIABLE	TOPSOIL
C	18-98"	LOAMY SAND	2.5Y 2	MASSIVE, FRIABLE	5% COBBLES, LARGER BOULDER AT THE BOTTOM

ESHWT: 86" (ELEV. 287.2)
WEEP: NONE
REFUSAL: NONE
HTM: HUMAN TRANSPORTED MATERIAL

TEST PIT #6 (TP6)
PERFORMED BY: BRIAN D. JONES, PE, SE2731
DATE: 10-13-2023
ELEVATION: 292.7

HORIZON	DEPTH	TEXTURE	COLOR	STRUCTURE	NOTES
HTM	0-18"	LOAMY SAND	7.5YR 2	MASSIVE, FRIABLE	TOPSOIL
C	18-98"	LOAMY SAND	2.5Y 2	MASSIVE, FRIABLE	5% COBBLES

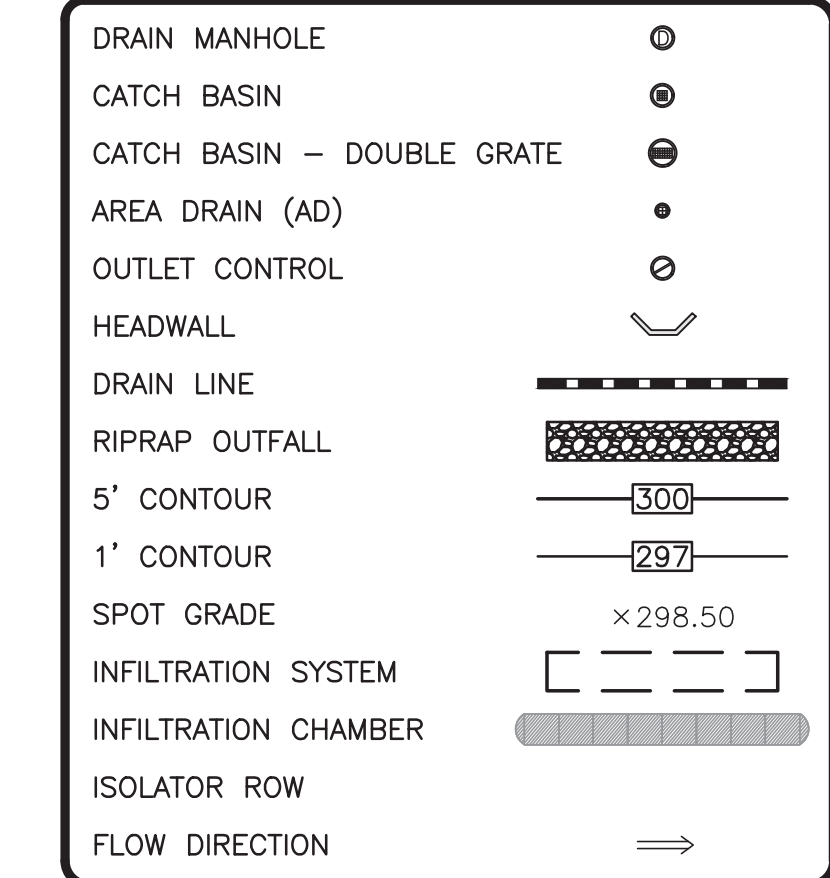
ESHWT: 90" (ELEV. 285.2)
WEEP: NONE
REFUSAL: NONE
HTM: HUMAN TRANSPORTED MATERIAL

TEST PIT #7 (TP7)
PERFORMED BY: BRIAN D. JONES, PE, SE2731
DATE: 10-13-2023
ELEVATION: 286.6

HORIZON	DEPTH	TEXTURE	COLOR	STRUCTURE	NOTES
HTM	0-18"	LOAMY SAND	7.5YR 2	MASSIVE, FRIABLE	TOPSOIL
C	18-90"	LOAMY SAND	2.5Y 2	MASSIVE, FRIABLE	5% COBBLES

ESHWT: NONE TO 90" (ELEV. 279.1)
WEEP: NONE
REFUSAL: NONE
HTM: HUMAN TRANSPORTED MATERIAL

LEGEND



NOTES:

- EXISTING CONDITIONS WERE COMPILED FROM AN ON THE GROUND SURVEY PERFORMED BY ALLEN & MAJOR ASSOCIATES, INC. AS WELL AS AVAILABLE RECORD PLANS OBTAINED FROM THE TOWN OF FRANKLIN, MA AND OTHER SOURCES.
- VERTICAL DATUM IS NAVD88. EXISTING GRADE CONTOUR INTERVALS SHOWN AT 1 FOOT. PROPOSED GRADE CONTOUR INTERVALS SHOWN AT 1 FOOT.
- ALL CUT OR FILL SLOPES SHALL BE 3:1 OR FLATTER UNLESS OTHERWISE NOTED.
- PIPE DIMENSIONS ARE MEASURED FROM THE INSIDE EDGE OF THE STRUCTURE.
- ROOF DRAIN LOCATIONS TO BE BASED ON FINAL BUILDING PLANS. CONNECTION POINTS SHALL BE AS SHOWN HEREON.
- IF ANY EXISTING STRUCTURES TO REMAIN ARE DAMAGED DURING CONSTRUCTION IT SHALL BE THE CONTRACTOR'S RESPONSIBILITY TO REPAIR AND/OR REPLACE THE EXISTING STRUCTURE AS NECESSARY TO RETURN IT TO EXISTING CONDITIONS OR BETTER.
- ALL STORM DRAIN MANHOLES IN PAVED AREAS SHALL BE FLUSH WITH PAVEMENT AND SHALL HAVE TRAFFIC BEARING RING & COVERS, H-20 MINIMUM.
- THE CONTRACTOR SHALL ADHERE TO ALL TERMS & CONDITIONS AS OUTLINED IN THE GENERAL N.P.D.E.S. PERMIT FOR STORMWATER DISCHARGE ASSOCIATED WITH CONSTRUCTION ACTIVITIES.
- CONTRACTOR SHALL ADJUST AND/OR CUT EXISTING PAVEMENT AS NECESSARY TO ENSURE A SMOOTH FIT AND CONTINUOUS GRADE.
- CONTRACTOR SHALL ENSURE POSITIVE DRAINAGE AWAY FROM BUILDINGS FOR ALL NATURAL AND PAVED AREAS.
- ALL DRAINAGE SHALL CONFORM TO LOCAL REQUIREMENTS.
- THE INFORMATION SHOWN ON THIS PLAN IS THE SOLE PROPERTY OF ALLEN & MAJOR ASSOCIATES, INC. ANY ALTERATION, MISUSE, OR RECALCULATION OF INFORMATION OR DATA WITHOUT THE EXPRESSED, WRITTEN CONSENT OF ALLEN & MAJOR ASSOCIATES, INC. IS STRICTLY PROHIBITED.
- THE PROJECT RESULTS IN A NET EXPORT OF APPROXIMATELY 7,300 CUBIC YARDS OF MATERIAL. THIS VALUE DOES NOT INCLUDE EXCAVATION REQUIRED FOR BUILDING FOUNDATION, UTILITIES, OR STORMWATER INFRASTRUCTURE.
- PRIOR TO CONSTRUCTION, ONE ADDITIONAL TEST PIT SHALL BE PERFORMED WITHIN THE FOOTPRINT OF THE PROPOSED INFILTRATION SYSTEM TO CONFIRM SEPARATION TO ESTIMATED SEASONAL HIGH GROUND WATER. THE TEST PIT SHALL BE OBSERVED BY THE ENGINEER OF RECORD.



PROFESSIONAL ENGINEER FOR ALLEN & MAJOR ASSOCIATES, INC.

REV	DATE	DESCRIPTION
7	12-14-23	ISSUED FOR SITE PLAN AMENDMENT
6	10-24-23	REVISED PER CONDITIONS OF APPROVAL
5	05-18-23	REVISION 5 PER REVIEW COMMENTS
4	05-11-23	REVISION 4 PER REVIEW COMMENTS
3	05-01-23	REVISION 3 PER REVIEW COMMENTS
2	04-14-23	REVISION 2 PER DPW COMMENTS
1	04-04-23	REVISION 1 PER PEER REVIEW

APPLICANT/OWNER:
TMC HOLDINGS & DEVELOPMENT 2, LLC
24 WILLIAM WAY
BELLINGHAM, MA 02019

PROJECT:
25 FORGE PARKWAY
FRANKLIN, MA

PROJECT NO. 2712-02A DATE: 02-21-23

SCALE: 1" = 40' DWG. NAME: C-2712-02A

DESIGNED BY: SM/JRG CHECKED BY: BDI



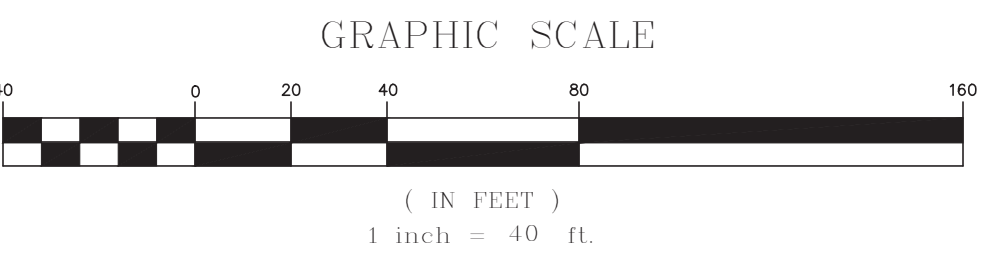
ALLEN & MAJOR ASSOCIATES, INC.
civil engineering • land surveying
environmental consulting • landscape architecture
www.allenmajor.com
100 COMMERCE WAY, SUITE 5
WOBRURN MA 01801
TEL: (781) 935-6889
FAX: (781) 935-2896

WOBRURN, MA • LAKEVILLE, MA • MANCHESTER, NH

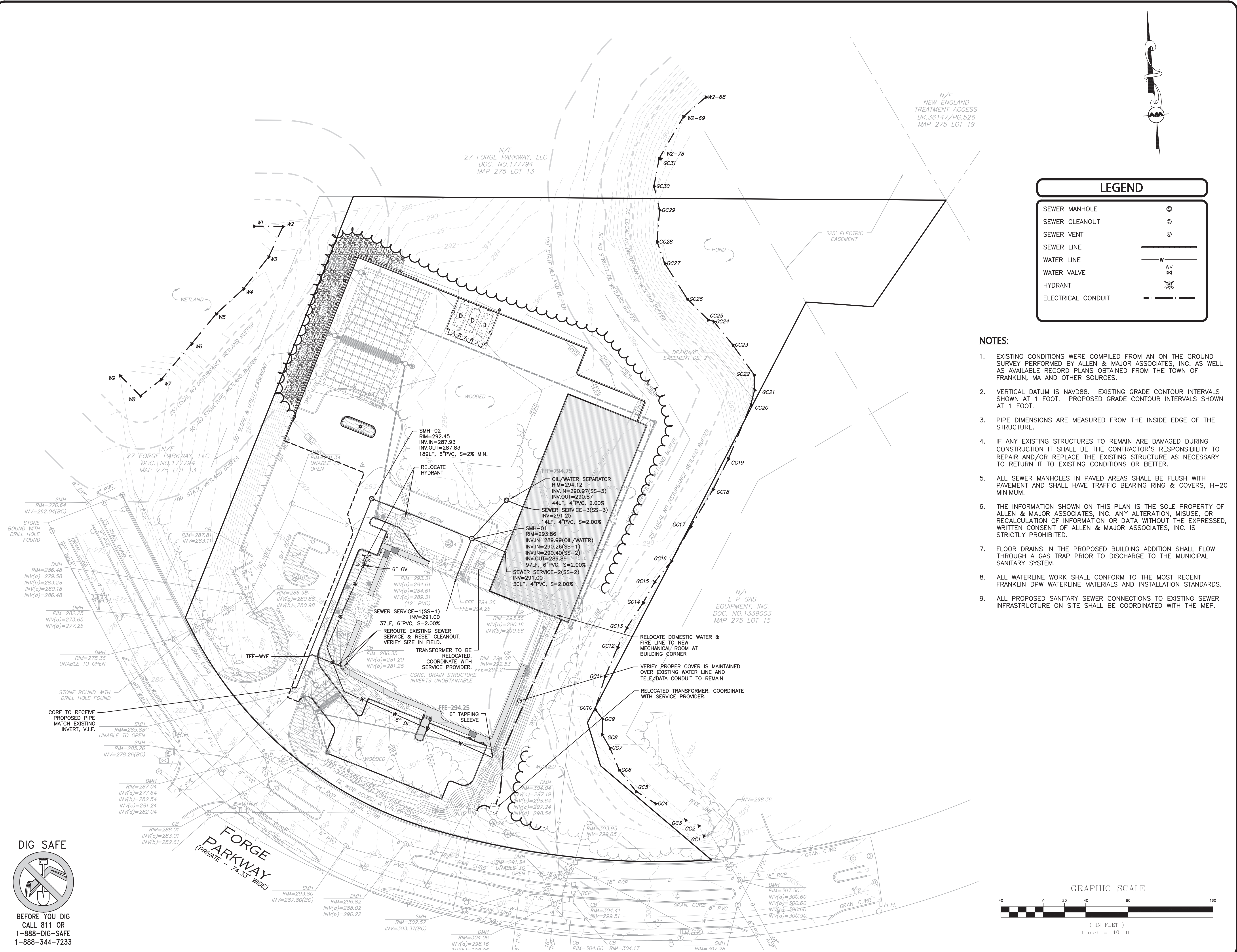
THIS DRAWING HAS BEEN PREPARED IN DIGITAL FORMAT. CLIENTS/CLIENTS REPRESENTATIVE OR CONSULTANTS MAY BE PROVIDED COPIES OF DRAWINGS AND SPECIFICATIONS FOR HIS/HER INFORMATION AND/OR SPECIFIC USE ON THIS PROJECT. DUE TO THE POTENTIAL THAT THE PROVIDED INFORMATION MAY BE MODIFIED UNINTENTIONALLY OR OTHERWISE, ALLEN & MAJOR ASSOCIATES, INC. MAY REMOVE ALL INDICATION OF THE DOCUMENT'S AUTHORSHIP ON THE DIGITAL MEDIA. PRINTED REPRESENTATIONS OR PORTABLE DOCUMENT FORMAT OF THE DRAWINGS AND SPECIFICATIONS ISSUED SHALL BE THE ONLY RECORD COPIES OF ALLEN & MAJOR ASSOCIATES, INC.'S WORK PRODUCT.

DRAWING TITLE: GRADING & DRAINAGE PLAN SHEET No. C-103

Copyright © 2023 Allen & Major Associates, Inc. All Rights Reserved.



R:\PROJECTS\2712-02A\CIVIL\DRAWINGS\CURRENT\C-2712-02A_UTILITIES.DWG



LEGEND	
SEWER MANHOLE	⊙
SEWER CLEANOUT	⊙
SEWER VENT	⊙
SEWER LINE	—
WATER LINE	— W —
WATER VALVE	WV
HYDRANT	⊙
ELECTRICAL CONDUIT	— E —

- NOTES:**
- EXISTING CONDITIONS WERE COMPILED FROM AN ON THE GROUND SURVEY PERFORMED BY ALLEN & MAJOR ASSOCIATES, INC. AS WELL AS AVAILABLE RECORD PLANS OBTAINED FROM THE TOWN OF FRANKLIN, MA AND OTHER SOURCES.
 - VERTICAL DATUM IS NAVD88. EXISTING GRADE CONTOUR INTERVALS SHOWN AT 1 FOOT. PROPOSED GRADE CONTOUR INTERVALS SHOWN AT 1 FOOT.
 - PIPE DIMENSIONS ARE MEASURED FROM THE INSIDE EDGE OF THE STRUCTURE.
 - IF ANY EXISTING STRUCTURES TO REMAIN ARE DAMAGED DURING CONSTRUCTION IT SHALL BE THE CONTRACTOR'S RESPONSIBILITY TO REPAIR AND/OR REPLACE THE EXISTING STRUCTURE AS NECESSARY TO RETURN IT TO EXISTING CONDITIONS OR BETTER.
 - ALL SEWER MANHOLES IN PAVED AREAS SHALL BE FLUSH WITH PAVEMENT AND SHALL HAVE TRAFFIC BEARING RING & COVERS, H-20 MINIMUM.
 - THE INFORMATION SHOWN ON THIS PLAN IS THE SOLE PROPERTY OF ALLEN & MAJOR ASSOCIATES, INC. ANY ALTERATION, MISUSE, OR RECALCULATION OF INFORMATION OR DATA WITHOUT THE EXPRESSED, WRITTEN CONSENT OF ALLEN & MAJOR ASSOCIATES, INC. IS STRICTLY PROHIBITED.
 - FLOOR DRAINS IN THE PROPOSED BUILDING ADDITION SHALL FLOW THROUGH A GAS TRAP PRIOR TO DISCHARGE TO THE MUNICIPAL SANITARY SYSTEM.
 - ALL WATERLINE WORK SHALL CONFORM TO THE MOST RECENT FRANKLIN DPW WATERLINE MATERIALS AND INSTALLATION STANDARDS.
 - ALL PROPOSED SANITARY SEWER CONNECTIONS TO EXISTING SEWER INFRASTRUCTURE ON SITE SHALL BE COORDINATED WITH THE MEP.



Brian D. Jones
12-4-23

PROFESSIONAL ENGINEER FOR ALLEN & MAJOR ASSOCIATES, INC.

REV	DATE	DESCRIPTION

APPLICANT/OWNER:
TMC HOLDINGS & DEVELOPMENT 2, LLC
24 WILLIAM WAY
BELLINGHAM, MA 02019

PROJECT:
25 FORGE PARKWAY
FRANKLIN, MA

PROJECT NO. 2712-02A DATE: 11-23

SCALE: 1" = 40' DWG. NAME: C-2712-02A

DESIGNED BY: SM/JRG CHECKED BY: BDJ

PREPARED BY:



ALLEN & MAJOR ASSOCIATES, INC.

civil engineering • land surveying
environmental consulting • landscape architecture
www.allenmajor.com
100 COMMERCE WAY, SUITE 5
WOBURN MA 01801
TEL: (781) 935-6889
FAX: (781) 935-2896

WOBURN, MA • LAKEVILLE, MA • MANCHESTER, NH

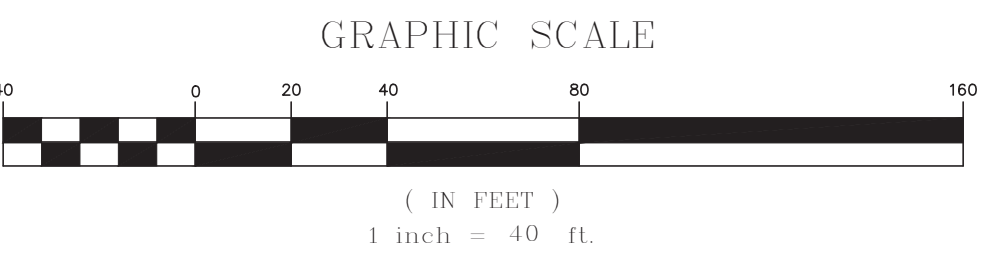
THIS DRAWING HAS BEEN PREPARED IN DIGITAL FORMAT. CLIENT/CLIENTS REPRESENTATIVE OR CONSULTANTS MAY BE PROVIDED COPIES OF DRAWINGS AND SPECIFICATIONS FOR HIS/HER INFORMATION AND/OR SPECIFIC USE ON THIS PROJECT. DUE TO THE POTENTIAL THAT THE PROVIDED INFORMATION MAY BE MODIFIED UNINTENTIONALLY OR OTHERWISE, ALLEN & MAJOR ASSOCIATES, INC. MAY REMOVE ALL INDICATION OF THE DOCUMENT'S AUTHORSHIP ON THE DIGITAL MEDIA. PRINTED REPRESENTATIONS OR PORTABLE DOCUMENT FORMAT OF THE DRAWINGS AND SPECIFICATIONS ISSUED SHALL BE THE ONLY RECORD COPIES OF ALLEN & MAJOR ASSOCIATES, INC.'S WORK PRODUCT.

DRAWING TITLE: UTILITIES PLAN SHEET No. C-104

Copyright © 2023 Allen & Major Associates, Inc. All Rights Reserved

DIG SAFE

BEFORE YOU DIG
CALL 811 OR
1-888-DIG-SAFE
1-888-344-7233



LUMINAIRE SCHEDULE

SYMBOL	QTY	LABEL	ARRANGEMENT	HEIGHT	LUMENS	WATTS	DESCRIPTION
■	7	W1	WALL PACK	25'	5778	46	RWL2-160L-45-3K-4F
■	4	W2	WALL PACK	14'	3538	28	RWL1-48L-25-3K7-4W-U
■	1	2SA	DOUBLE, POLE MOUNT	30'	14960	105	TWIN VP-ST-1-36L-105-3K7-4F
■	1	SA	SINGLE, POLE MOUNT	30'	14960	105	VP-ST-1-36L-105-3L7-4F
■	1	SB	SINGLE, POLE MOUNT	22'	12189	105	VP-ST-1-36L-39-27K8-4F-UNIV-BC
■	1	SC	SINGLE, POLE MOUNT	20'	8085	84	VP-ST-1-36L-85-3K7-4W

LIGHTING LEVEL SUMMARY

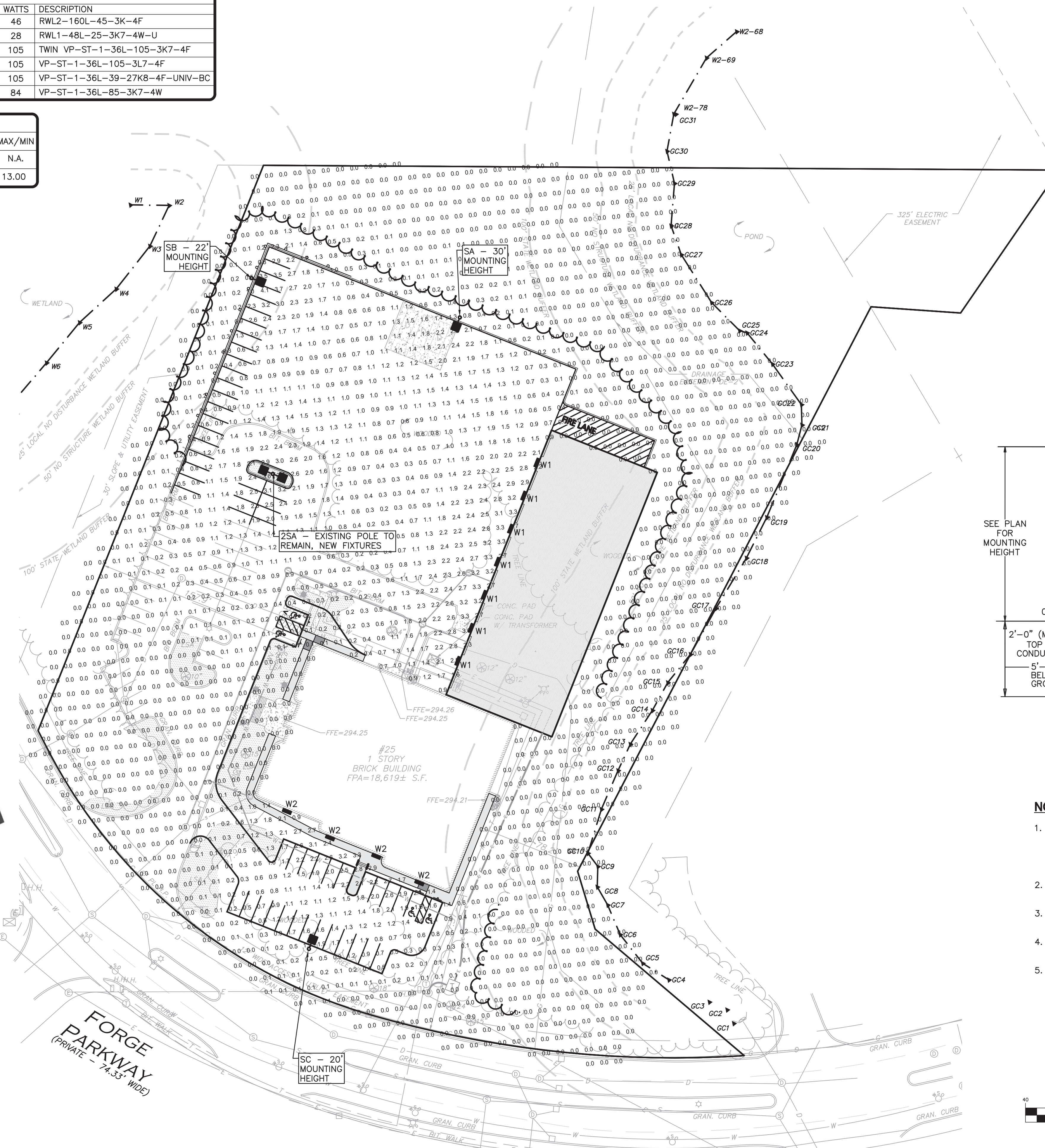
AREA	UNITS	AVERAGE	MAX	MIN	AVG/MIN	MAX/MIN
SITE	Fc	0.34	4.1	0.0	N.A.	N.A.
FRONT PARKING	Fc	1.28	2.6	0.2	6.40	13.00



**POLE LIGHT FIXTURE (LED)
BEACON LIGHTING - VIPER LUMINAIRE**

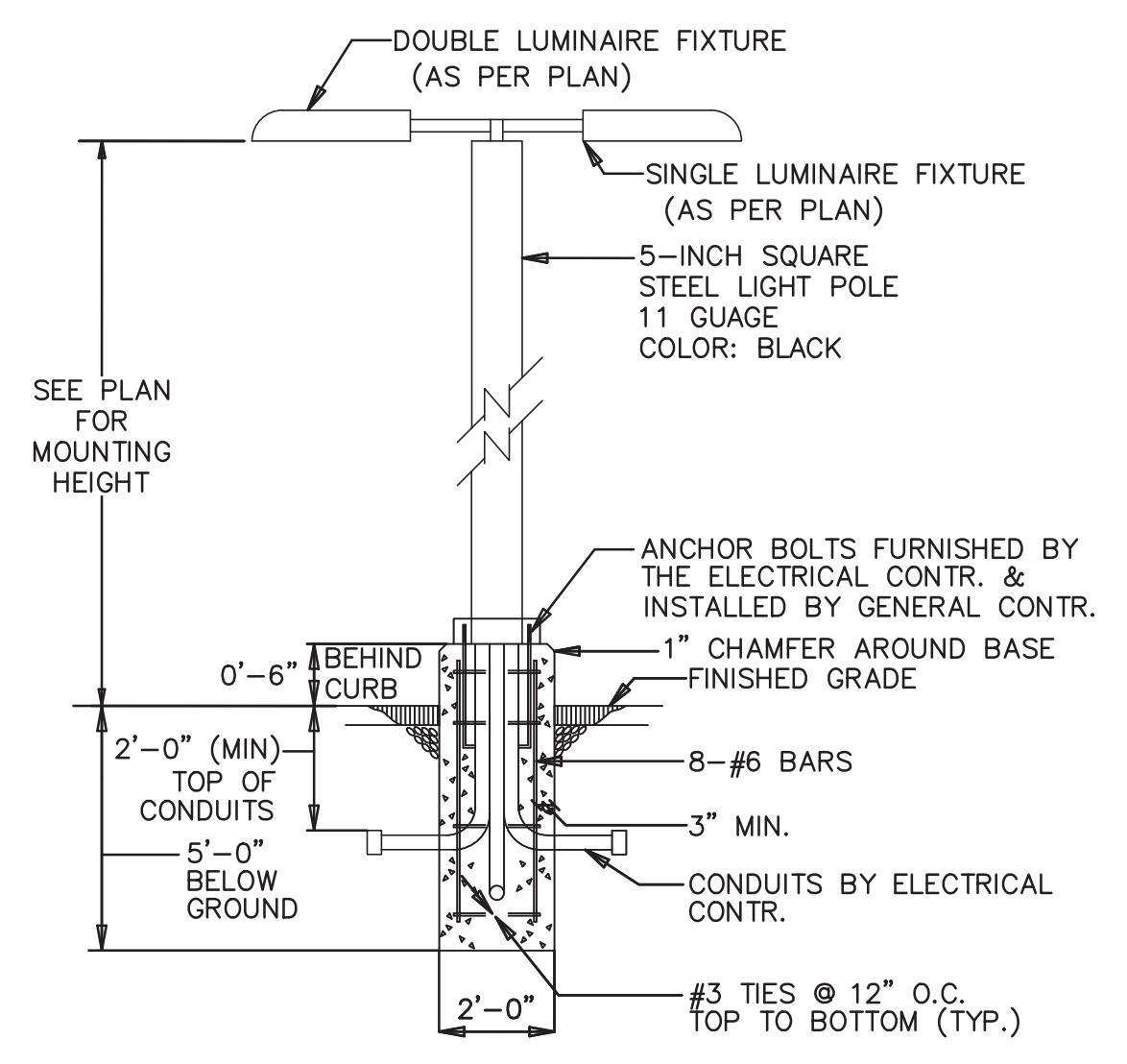


**WALL PACK LIGHT FIXTURE (LED)
HUBBELL LIGHTING INC. - RATIO WALL**



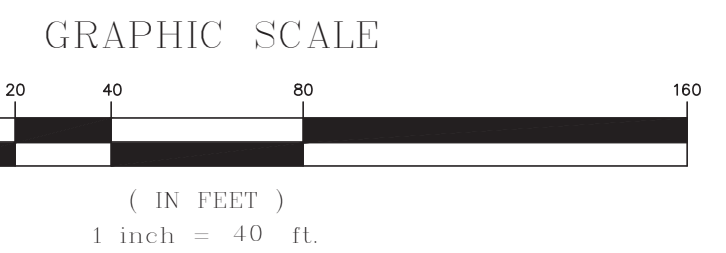
LEGEND

SINGLE POLE LIGHT	■
WALL PACK LIGHT	■
LIGHTING LEVELS GIVEN IN FOOT-CANDLES	0.0 0.1 0.2 0.4 0.6



NOTES:

- LIGHTING VENDOR CONTACT INFORMATION:
CHRIS PECHALK
SWANEY LIGHTING, INC.
PHONE: 603-380-3400
E-MAIL: CHRIS@SWANEYLIGHTING.COM
- LIGHTS WITHIN THE PARKING AREAS AND ACCESS DRIVES SHALL OPERATE ON A PHOTO-CELL & PROGRAMMABLE TIMER.
- CONTROLS FOR ALL EXTERIOR LIGHTING BY BUILDING CONTRACTOR.
- WIRING OF BUILDING MOUNTED FIXTURES BY BUILDING CONTRACTOR.
- THE INFORMATION SHOWN ON THIS PLAN IS THE SOLE PROPERTY OF ALLEN & MAJOR ASSOCIATES, INC. IT'S INTENDED USE IS TO PROVIDE INFORMATION. ANY ALTERATION, MISUSE, OR RECALCULATION OF INFORMATION OR DATA WITHOUT THE EXPRESSED, WRITTEN CONSENT OF ALLEN & MAJOR ASSOCIATES, INC. IS STRICTLY PROHIBITED.



[Signature] 12-4-23

PROFESSIONAL ENGINEER FOR
ALLEN & MAJOR ASSOCIATES, INC.

REV	DATE	DESCRIPTION
7	12-14-23	ISSUED FOR SITE PLAN AMENDMENT
6	10-24-23	REVISED PER CONDITIONS OF APPROVAL
5	05-18-23	REVISION 5 PER REVIEW COMMENTS
4	05-11-23	REVISION 4 PER REVIEW COMMENTS
3	05-01-23	REVISION 3 PER REVIEW COMMENTS
2	04-14-23	REVISION 2 PER DPW COMMENTS
1	04-04-23	REVISION 1 PER PEER REVIEW

APPLICANT/OWNER:
TMC HOLDINGS & DEVELOPMENT 2, LLC
24 WILLIAM WAY
BELLINGHAM, MA 02019

PROJECT:
25 FORGE PARKWAY
FRANKLIN, MA

PROJECT NO.	2712-02A	DATE:	02-21-23
SCALE:	1" = 40'	DWG. NAME:	C-2712-02A
DESIGNED BY:	SM/JRG	CHECKED BY:	BDJ

PREPARED BY:

ALLEN & MAJOR ASSOCIATES, INC.
civil engineering • land surveying
environmental consulting • landscape architecture
www.allenmajor.com
100 COMMERCE WAY, SUITE 5
WOBURN MA 01801
TEL: (781) 935-6889
FAX: (781) 935-2896

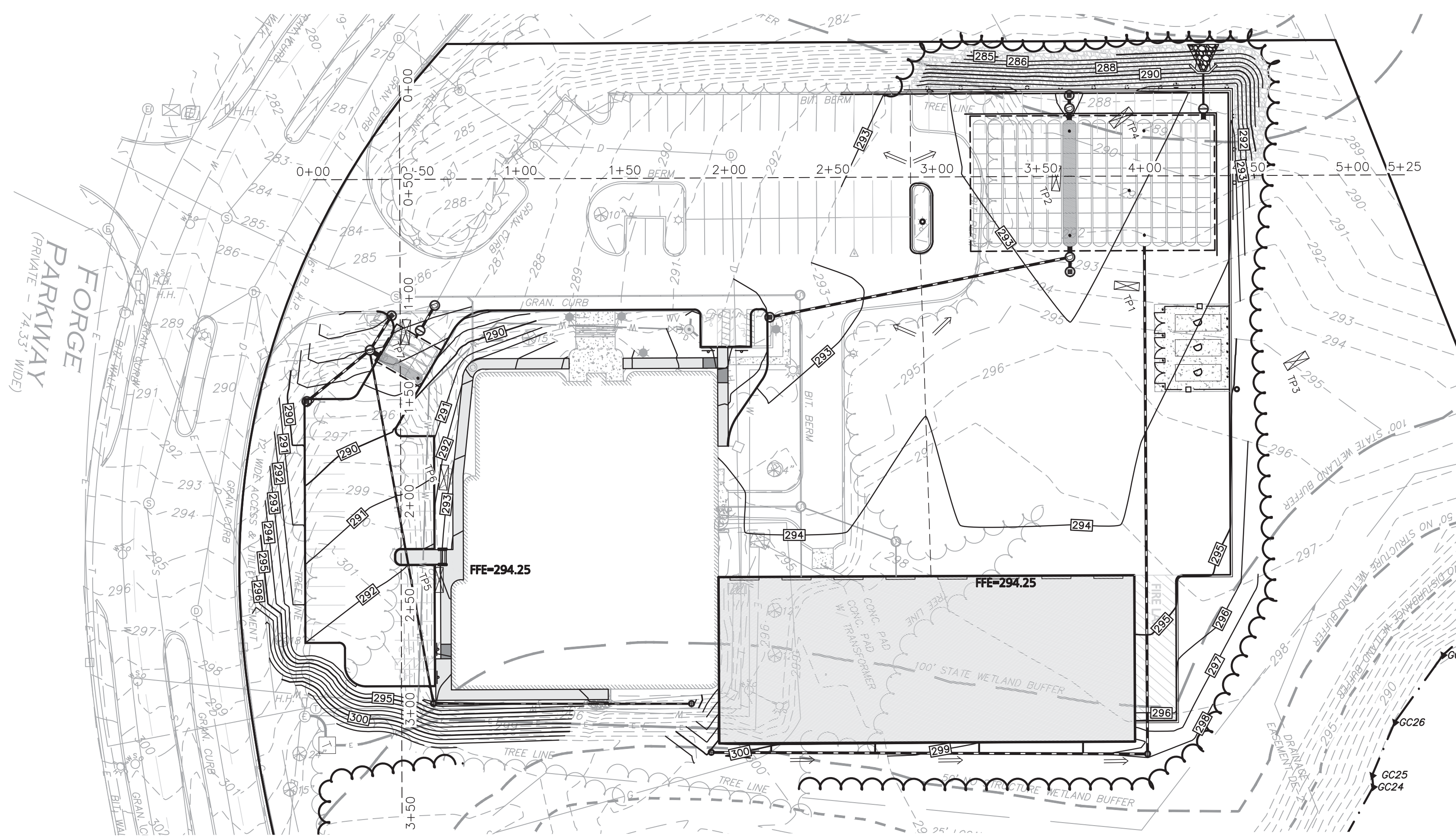
WOBURN, MA • LAKEVILLE, MA • MANCHESTER, NH

THIS DRAWING HAS BEEN PREPARED IN DIGITAL FORMAT. CLIENTS/CLIENTS REPRESENTATIVE OR CONSULTANTS MAY BE PROVIDED COPIES OF DRAWINGS AND SPECIFICATIONS FOR HIS/HER INFORMATION AND/OR SPECIFIC USE ON THIS PROJECT. DUE TO THE POTENTIAL THAT THE PROVIDED INFORMATION MAY BE MODIFIED UNINTENTIONALLY OR OTHERWISE, ALLEN & MAJOR ASSOCIATES, INC. MAY REMOVE ALL INDICATION OF THE DOCUMENT'S AUTHORSHIP ON THE DIGITAL MEDIA. PRINTED REPRESENTATIONS OR PORTABLE DOCUMENT FORMAT OF THE DRAWINGS AND SPECIFICATIONS ISSUED SHALL BE THE ONLY RECORD COPIES OF ALLEN & MAJOR ASSOCIATES, INC.'S WORK PRODUCT.

DRAWING TITLE: **LIGHTING PLAN** SHEET No. **C-105**

R:\PROJECTS\2712-02A\CIVIL\DRAWINGS\CURRENT\C-2712-02A_LIGHTING.DWG

DIG SAFE
BEFORE YOU DIG
CALL 811 OR
1-888-DIG-SAFE
1-888-344-7233



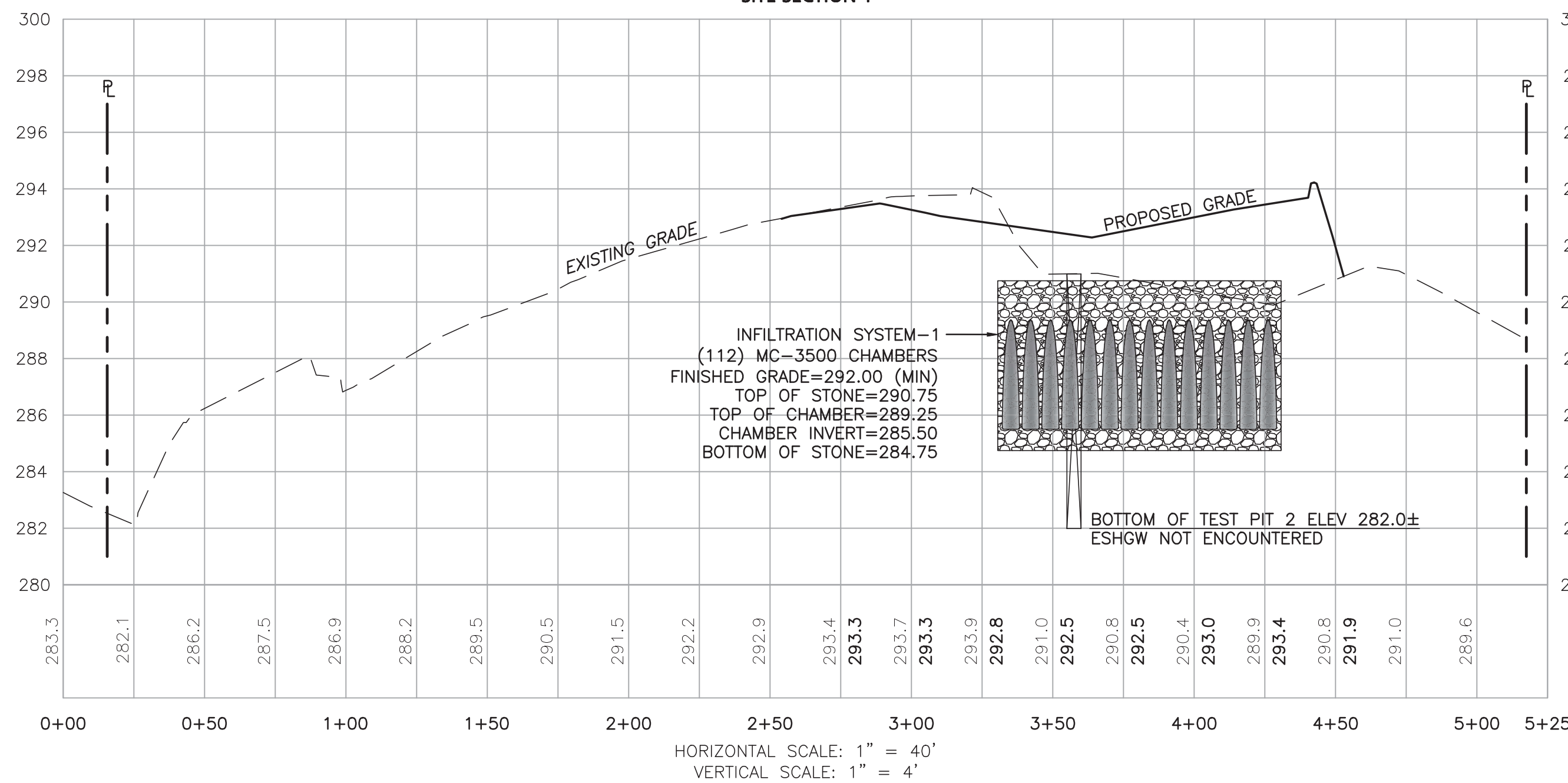
NOTES:

- EXISTING CONDITIONS WERE COMPILED FROM AN ON THE GROUND SURVEY PERFORMED BY ALLEN & MAJOR ASSOCIATES, INC. AS WELL AS AVAILABLE RECORD PLANS OBTAINED FROM THE TOWN OF FRANKLIN, MA AND OTHER SOURCES.
- VERTICAL DATUM IS NAVD88. EXISTING GRADE CONTOUR INTERVALS SHOWN AT 1 FOOT. PROPOSED GRADE CONTOUR INTERVALS SHOWN AT 1 FOOT.
- ALL CUT OR FILL SLOPES SHALL BE 3:1 OR FLATTER UNLESS OTHERWISE NOTED.
- IF ANY EXISTING STRUCTURES TO REMAIN ARE DAMAGED DURING CONSTRUCTION IT SHALL BE THE CONTRACTOR'S RESPONSIBILITY TO REPAIR AND/OR REPLACE THE EXISTING STRUCTURE AS NECESSARY TO RETURN IT TO EXISTING CONDITIONS OR BETTER.
- THE INFORMATION SHOWN ON THIS PLAN IS THE SOLE PROPERTY OF ALLEN & MAJOR ASSOCIATES, INC. ANY ALTERATION, MISUSE, OR RECALCULATION OF INFORMATION OR DATA WITHOUT THE EXPRESSED, WRITTEN CONSENT OF ALLEN & MAJOR ASSOCIATES, INC. IS STRICTLY PROHIBITED.

LEGEND

DRAIN MANHOLE	○
CATCH BASIN	⊙
CATCH BASIN - DOUBLE GRATE	⊗
AREA DRAIN (AD)	●
OUTLET CONTROL	⊖
HEADWALL	⌒
DRAIN LINE	—
RIPRAP OUTFALL	▨
5' CONTOUR	— 300 —
1' CONTOUR	— 297 —
SPOT GRADE	× 298.50
INFILTRATION SYSTEM	□
INFILTRATION CHAMBER	▭
ISOLATOR ROW	→
FLOW DIRECTION	→

SITE SECTION 1



HORIZONTAL SCALE: 1" = 40'
VERTICAL SCALE: 1" = 4'

TEST PIT #1 (TP1)
PERFORMED BY: BRIAN D. JONES, PE
DATE: 02-10-2023

HORIZON	DEPTH	TEXTURE	COLOR	STRUCTURE	NOTES
A	0-8"	LOAMY SAND	10YR 2	MASSIVE, FRIABLE	-
Bw	8-24"	LOAMY SAND	10YR 8	MASSIVE, FRIABLE	-
C	24-66"	LOAMY SAND	2.5Y 5	MASSIVE, FRIABLE	BOULDER AT BOTTOM OF EXCAVATION

ESHWT: NONE
WEEP: NONE
REFUSAL: NONE

TEST PIT #2 (TP2)
PERFORMED BY: BRIAN D. JONES, PE
DATE: 02-10-2023

HORIZON	DEPTH	TEXTURE	COLOR	STRUCTURE	NOTES
A	0-8"	LOAMY SAND	10YR 2	MASSIVE, FRIABLE	-
Bw	8-28"	LOAMY SAND	10YR 8	MASSIVE, FRIABLE	-
C	28-108"	LOAMY SAND	2.5Y 5	MASSIVE, FRIABLE	SEVERAL BOULDERS ENCOUNTERED

ESHWT: NONE
WEEP: NONE
REFUSAL: NONE

TEST PIT #3 (TP3)
PERFORMED BY: BRIAN D. JONES, PE
DATE: 02-10-2023

HORIZON	DEPTH	TEXTURE	COLOR	STRUCTURE	NOTES
HTM	0-36"	LOAMY SAND	10YR 2	MASSIVE, FRIABLE	-
C1	36-60"	LOAMY SAND	2.5Y 5	MASSIVE, FRIABLE	-
C2	60-100"	SANDY LOAM	10YR 8	MASSIVE, FIRM	-

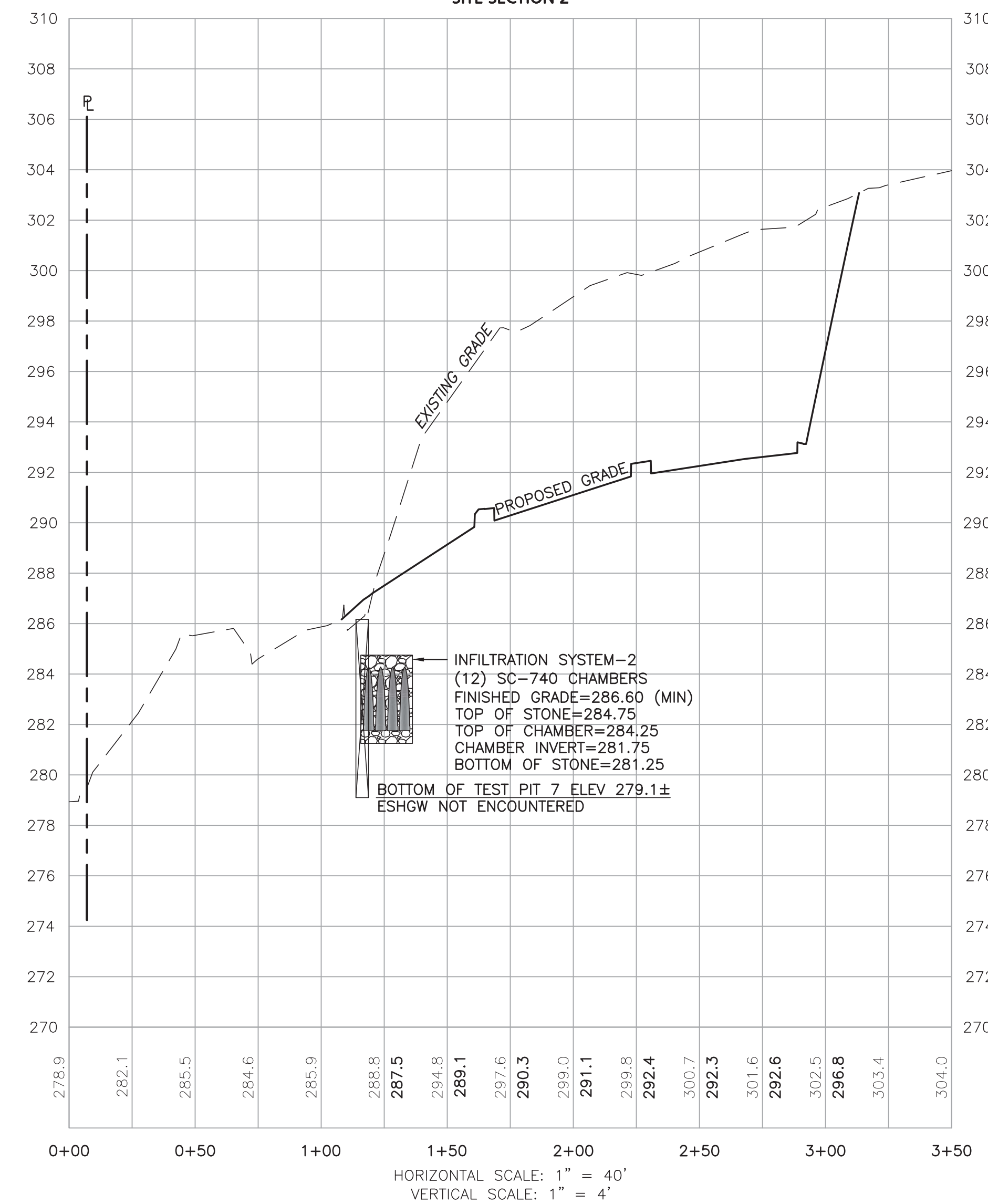
ESHWT: NONE
WEEP: NONE
REFUSAL: NONE
HTM - HUMAN TRANSPORTED MATERIAL

TEST PIT #7 (TP7)
PERFORMED BY: BRIAN D. JONES, PE, SE2731
DATE: 10-13-2023
ELEVATION: 286.6

HORIZON	DEPTH	TEXTURE	COLOR	STRUCTURE	NOTES
HTM	0-18"	LOAMY SAND	7.5YR 2	MASSIVE, FRIABLE	TOPSOIL
C	18-90"	LOAMY SAND	2.5Y 5	MASSIVE, FRIABLE	5% COBBLES

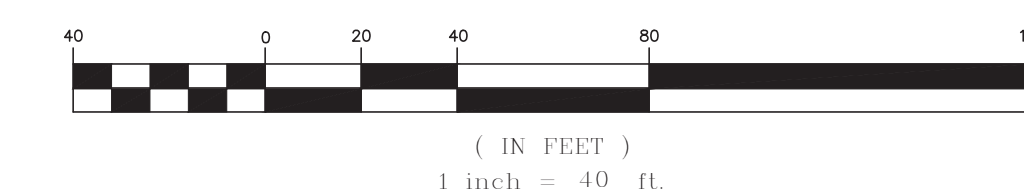
ESHWT: NONE TO 90" (ELEV. 279.1)
WEEP: NONE
REFUSAL: NONE
HTM: HUMAN TRANSPORTED MATERIAL

SITE SECTION 2



HORIZONTAL SCALE: 1" = 40'
VERTICAL SCALE: 1" = 4'

GRAPHIC SCALE



Brian D. Jones
12-4-23

PROFESSIONAL ENGINEER FOR
ALLEN & MAJOR ASSOCIATES, INC.

REV	DATE	DESCRIPTION
7	12-14-23	ISSUED FOR SITE PLAN AMENDMENT
6	10-24-23	REVISED PER CONDITIONS OF APPROVAL
5	05-18-23	REVISION 5 PER REVIEW COMMENTS
4	05-11-23	REVISION 4 PER REVIEW COMMENTS
3	05-01-23	REVISION 3 PER REVIEW COMMENTS
2	04-14-23	REVISION 2 PER DPW COMMENTS
1	04-04-23	REVISION 1 PER PEER REVIEW

APPLICANT/OWNER:

TMC HOLDINGS & DEVELOPMENT 2, LLC
24 WILLIAM WAY
BELLINGHAM, MA 02019

PROJECT:

25 FORGE PARKWAY
FRANKLIN, MA

PROJECT NO.	2712-02A	DATE:	02-21-23
SCALE:	1" = 40'	DWG. NAME:	C-2712-02A
DESIGNED BY:	SM/JRG	CHECKED BY:	BDJ

PREPARED BY:

ALLEN & MAJOR ASSOCIATES, INC.
civil engineering • landscape architecture
environmental consulting • landscape architecture
www.allenmajor.com
100 COMMERCE WAY, SUITE 5
WOBRUN MA 01801
TEL: (781) 935-6889
FAX: (781) 935-2896

WOBRUN, MA • LAKEVILLE, MA • MANCHESTER, NH

THIS DRAWING HAS BEEN PREPARED IN DIGITAL FORMAT. CLIENT/CLIENTS REPRESENTATIVE OR CONSULTANTS MAY BE PROVIDED COPIES OF DRAWINGS AND SPECIFICATIONS FOR HIS/HER INFORMATION AND/OR SPECIFIC USE ON THIS PROJECT. DUE TO THE POTENTIAL THAT THE PROVIDED INFORMATION MAY BE MODIFIED UNINTENTIONALLY OR OTHERWISE, ALLEN & MAJOR ASSOCIATES, INC. MAY REMOVE ALL INDICATION OF THE DOCUMENT'S AUTHORSHIP ON THE DIGITAL MEDIA. PRINTED REPRESENTATIONS OR PORTABLE DOCUMENT FORMAT OF THE DRAWINGS AND SPECIFICATIONS ISSUED SHALL BE THE ONLY RECORD COPIES OF ALLEN & MAJOR ASSOCIATES, INC.'S WORK PRODUCT.

DRAWING TITLE: SHEET NO.

SITE PLAN & CROSS-SECTION

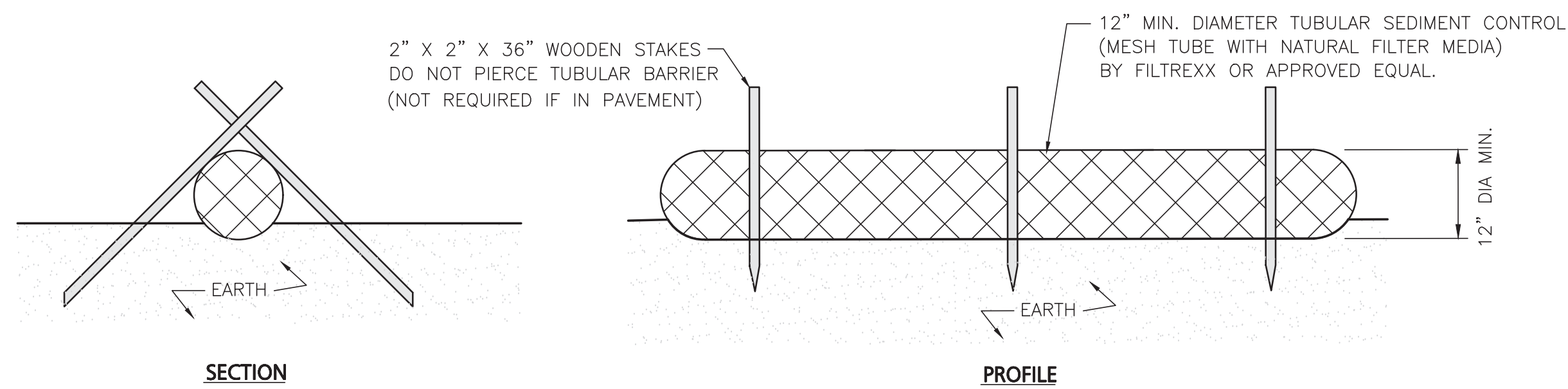
C-201

Copyright © 2023 Allen & Major Associates, Inc.
All Rights Reserved

DIG SAFE



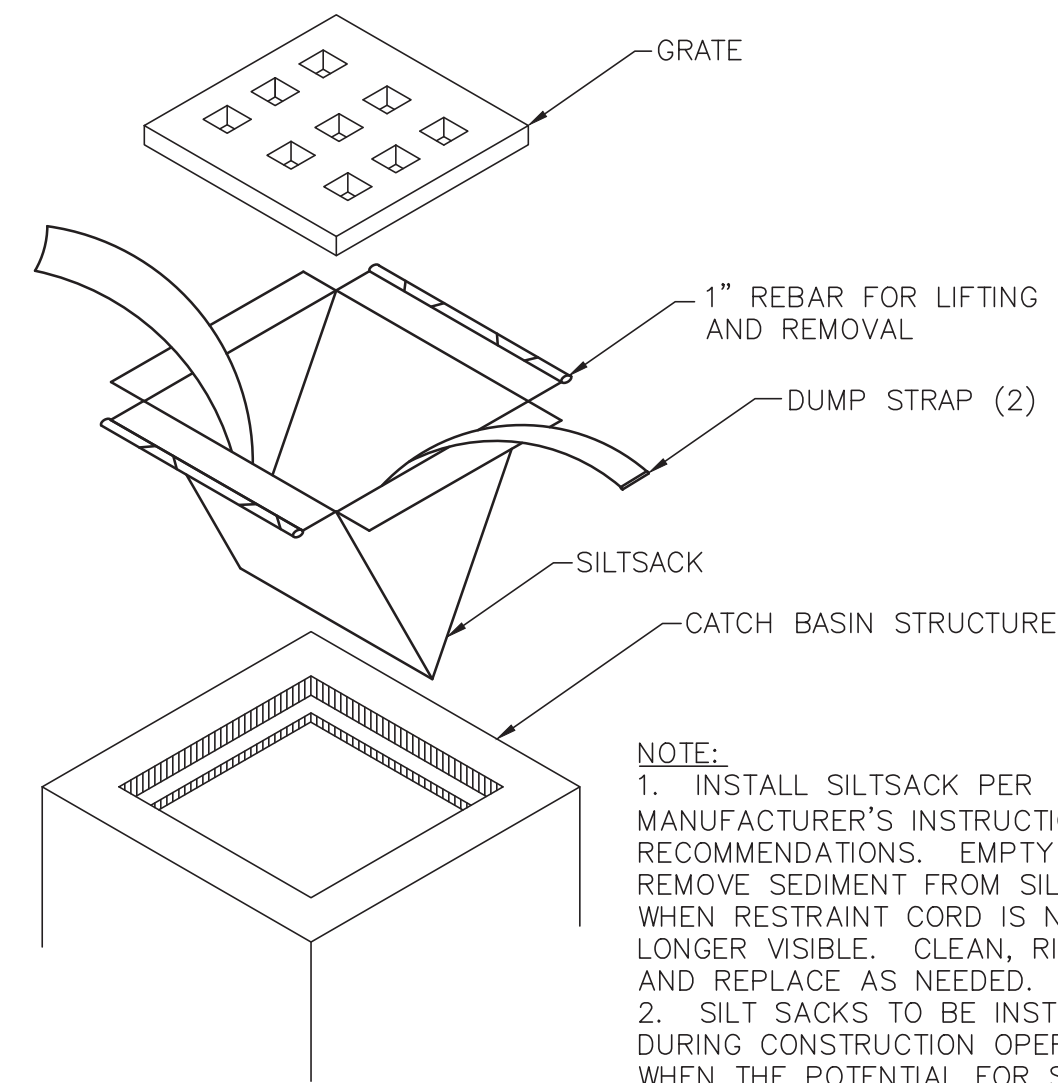
BEFORE YOU DIG
CALL 811 OR
1-888-DIG-SAFE
1-888-344-7233



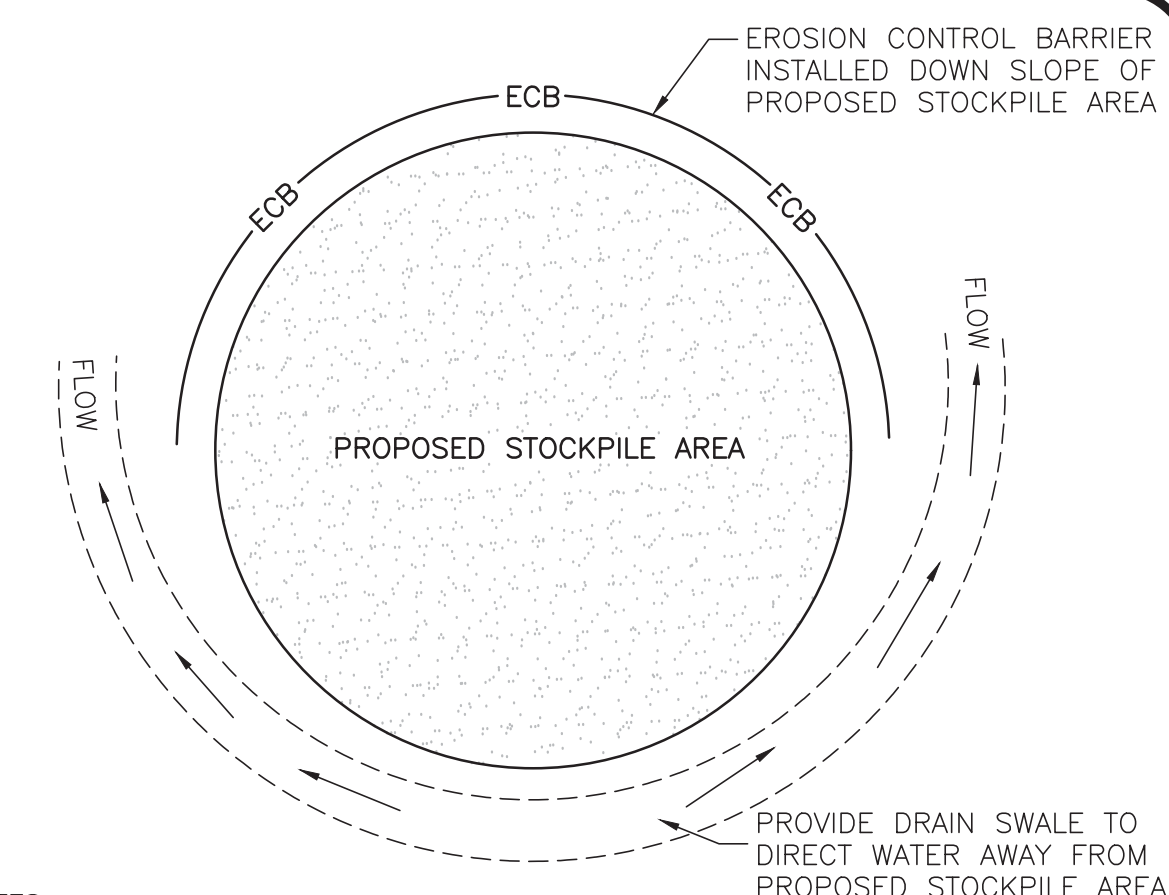
NOTES:

1. ALL MATERIALS TO MEET MANUFACTURERS SPECIFICATIONS.
2. INSTALL WOODEN STAKES IN A CRISS-CROSS PATTERN EVERY 8' ON CENTER.
3. OVERLAP TUBULAR BARRIER SEGMENTS A MINIMUM OF 12".
4. THE CONTRACTOR SHALL MAINTAIN THE TUBULAR BARRIERS IN A FUNCTIONAL CONDITION AT ALL TIMES. THE CONTROLS SHALL BE ROUTINELY INSPECTED BY THE CONTRACTOR.
5. WHERE THE TUBULAR BARRIERS REQUIRE REPAIR OR SEDIMENT REMOVAL, IT WILL BE COMPLETED BY THE CONTRACTOR AT NO ADDITIONAL COST.
6. AT A MINIMUM, THE CONTRACTOR SHALL REMOVE SEDIMENTS COLLECTED AT THE BASE WHEN THEY REACH 1/3 THE EXPOSED HEIGHT OF THE BARRIER.

TUBULAR SEDIMENT BARRIER
NOT TO SCALE



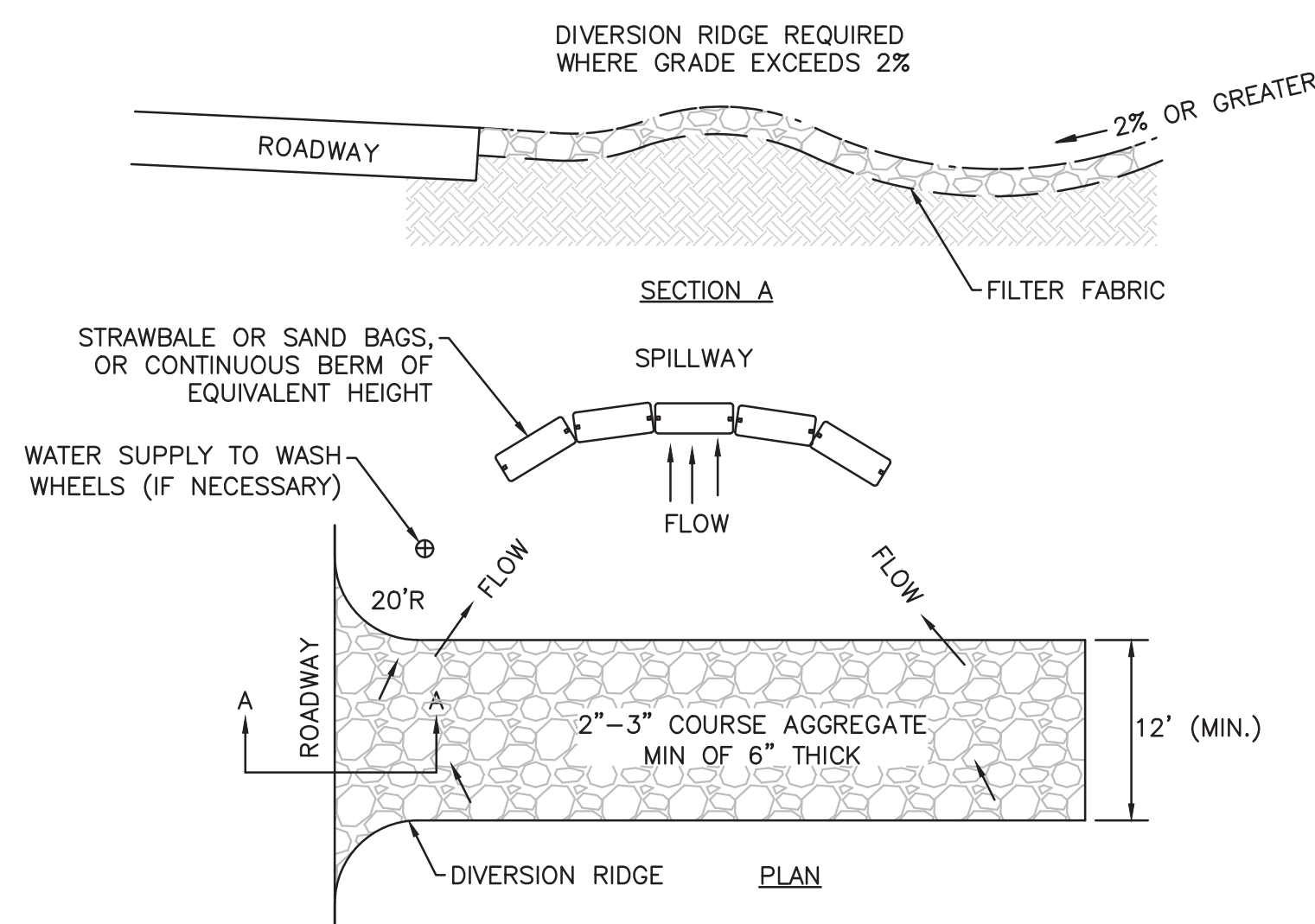
CATCH BASIN FILTER INLET DETAIL
NOT TO SCALE



NOTES:

1. SOIL AND FILL STOCKPILES EXPECTED TO REMAIN IN PLACE FOR LESS THAN 90 DAYS SHALL BE COVERED WITH STRAW AND MULCH (AT 100LB/1,000 SF), OR WITH AN ANCHORED TARP WITHIN 7 DAYS OR PRIOR TO ANY RAINFALL.
2. SOIL AND FILL STOCKPILES EXPECTED TO REMAIN IN PLACE FOR 90 DAYS OR MORE SHALL BE SEED WITH WINTER RYE (FOR FALL SEEDING AT 1LB/1,000 SF) OR OATS (FOR SUMMER SEEDING AT 2LB/1,000 SF) AND THEN COVERED WITH STRAW MULCH (AT 100LB/1,000 SF) OR AN ANCHORED TARP WITHIN 7 DAYS OR PRIOR TO ANY RAINFALL.

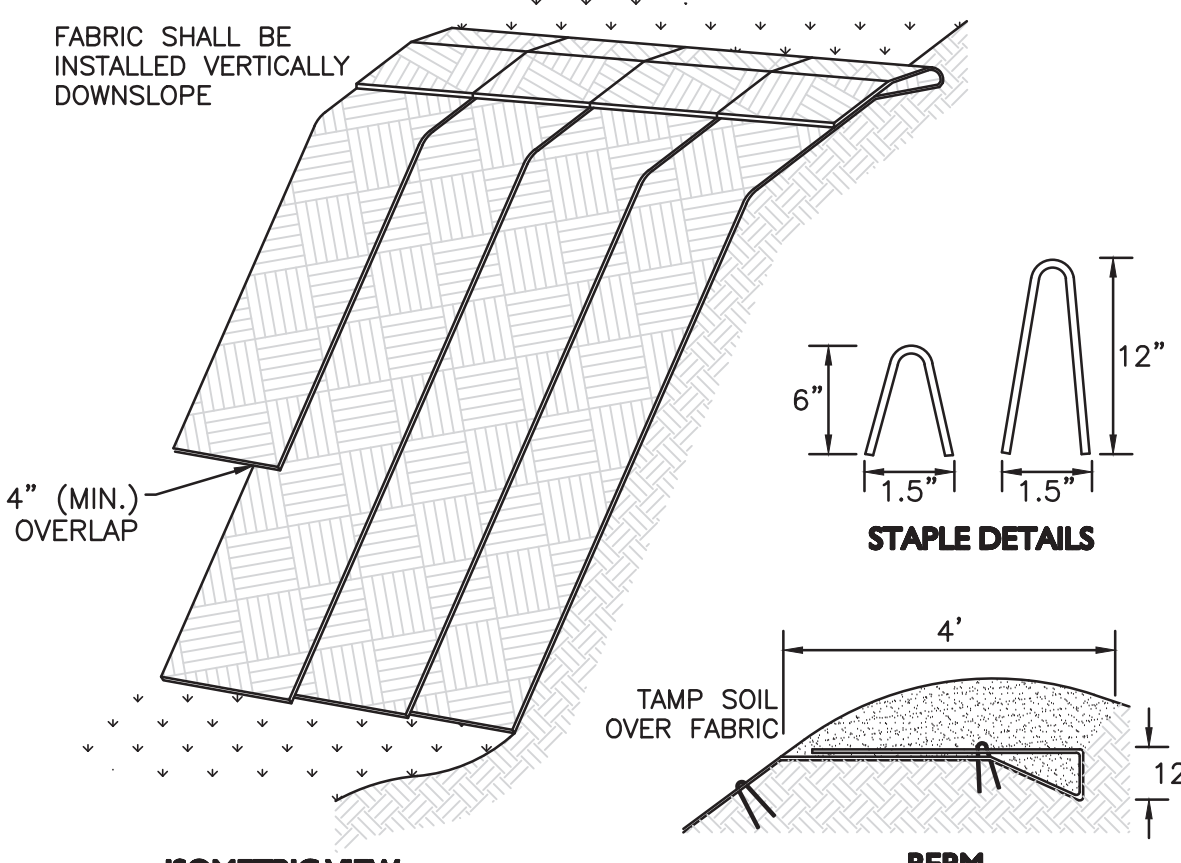
STOCKPILE PROTECTION DETAIL
NOT TO SCALE



NOTES:

1. THE ENTRANCE SHALL BE MAINTAINED IN A CONDITION THAT WILL PREVENT TRACKING OR FLOWING OF SEDIMENT ONTO PUBLIC RIGHT-OF-WAYS. THIS MAY REQUIRE TOP DRESSING, REPAIR AND/OR CLEANOUT OF ANY MEASURES USED TO TRAP SEDIMENT.
2. WHEN NECESSARY, WHEELS SHALL BE CLEANED PRIOR TO ENTERING THE PUBLIC RIGHT-OF-WAY.
3. WHEN WASHING IS REQUIRED, IT SHALL BE DONE ON AN AREA STABILIZED WITH CRUSHED STONE THAT DRAINS INTO AN APPROVED SEDIMENT TRAP OR SEDIMENT BASIN.
4. USE SANDBAGS, STRAW BALES, OR OTHER APPROVED METHODS TO CHANNELIZE RUNOFF TO BASIN AS REQUIRED.

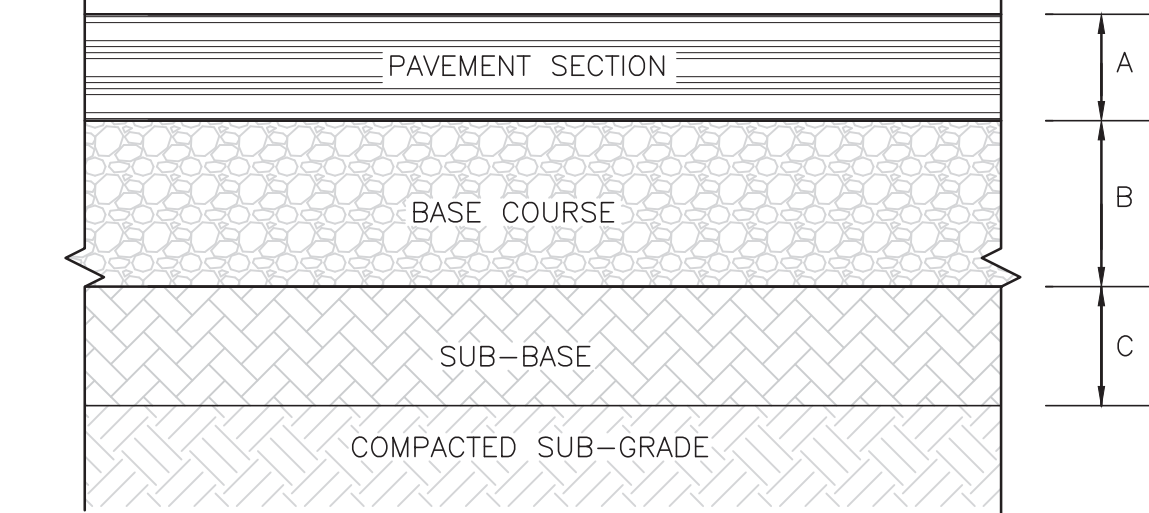
TEMPORARY CONSTRUCTION ENTRANCE
NOT TO SCALE



NOTE:

1. SLOPE SURFACE SHALL BE FREE OF ROCKS, CLOUDS, STICKS AND GRASS. FABRIC SHALL HAVE GOOD SOIL CONTACT.
2. APPLY PERMANENT SEEDING BEFORE PLACING FABRIC.
3. LAY BLANKETS LOOSELY AND STAKE OR STAPLE TO MAINTAIN DIRECT CONTACT WITH THE SOIL. DO NOT STRETCH.
4. CHOOSE MATERIAL BASED ON SLOPE, SOILS, AND APPLICATION.

EROSION CONTROL FABRIC
NOT TO SCALE



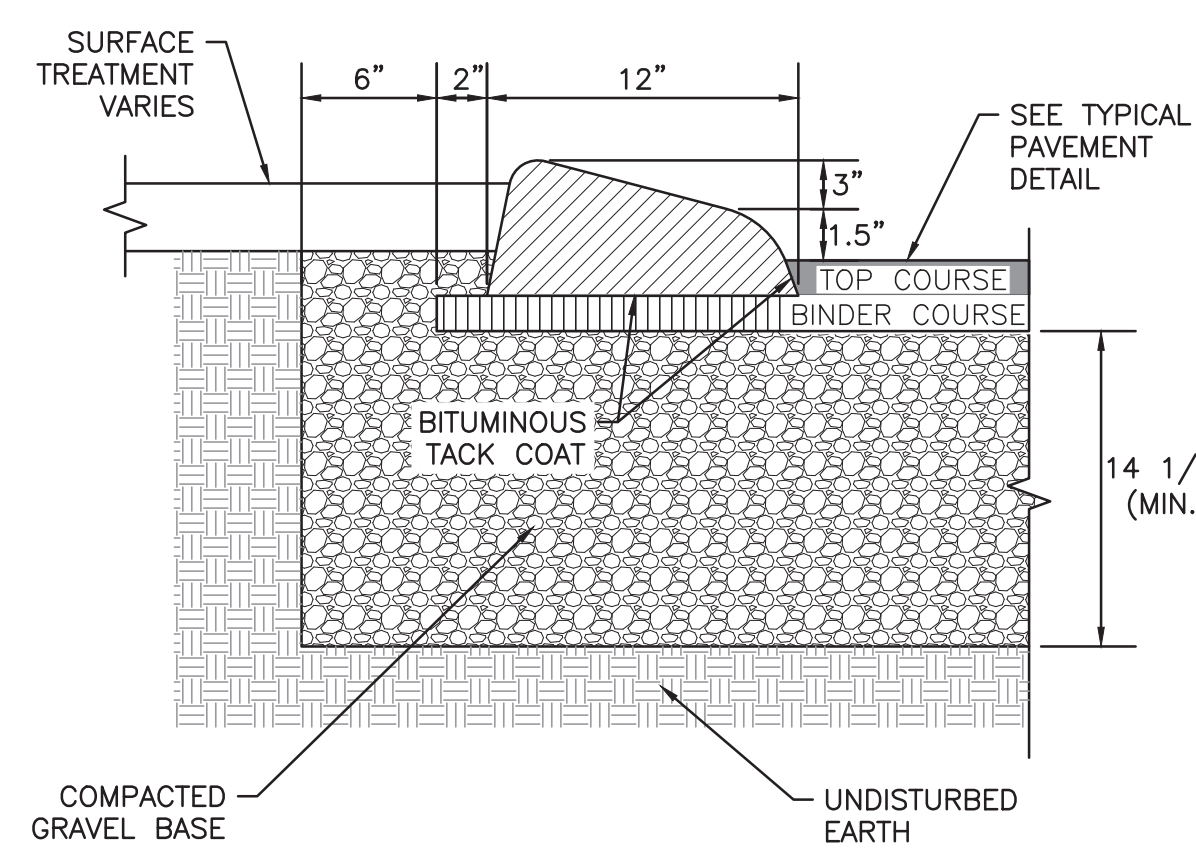
NOTES:

1. PAVEMENT SECTION, BASE COURSE, AND SUBGRADE SHALL BE PER GEOTECHNICAL ENGINEER'S RECOMMENDATIONS. IN THE ABSENCE OF A GEOTECHNICAL ENGINEER'S RECOMMENDATION, THE MATERIALS AND THICKNESS SHALL BE AS SHOWN HEREON.
2. SUBGRADE SHALL BE COMPACTED TO 95% OF PROCTOR
3. EXISTING SUBSURFACE SOILS SHALL BE PROOF-ROLLED.
4. CLEANLY SAW CUT EXISTING PAVEMENT AND ENSURE A SMOOTH TRANSITION BETWEEN EXISTING AND PROPOSED PAVEMENT.

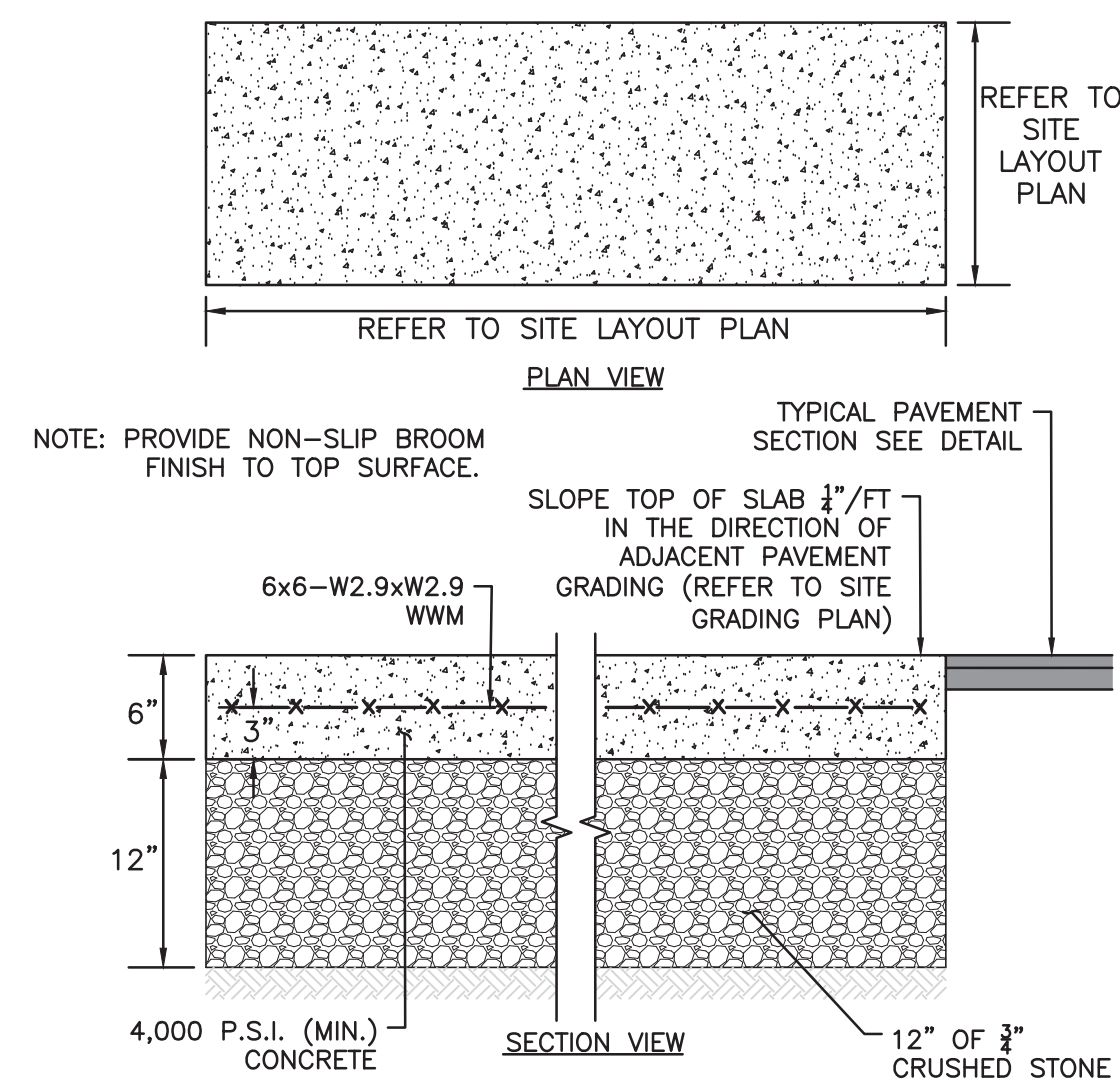
MATERIALS AND THICKNESSES:

- A = 1.5" ASPHALT CONCRETE - SURFACE COURSE (M3.11.0, TABLE A, TOP COURSE)
- 2.5" ASPHALT CONCRETE - BINDER COURSE (M3.11.0, TABLE A, BINDER COURSE)
- B = 6" PROCESSED GRAVEL BASE (MHD M2.01.7)
- C = 12" BANK RUN GRAVEL MHD M1.03.0 TYPE B)

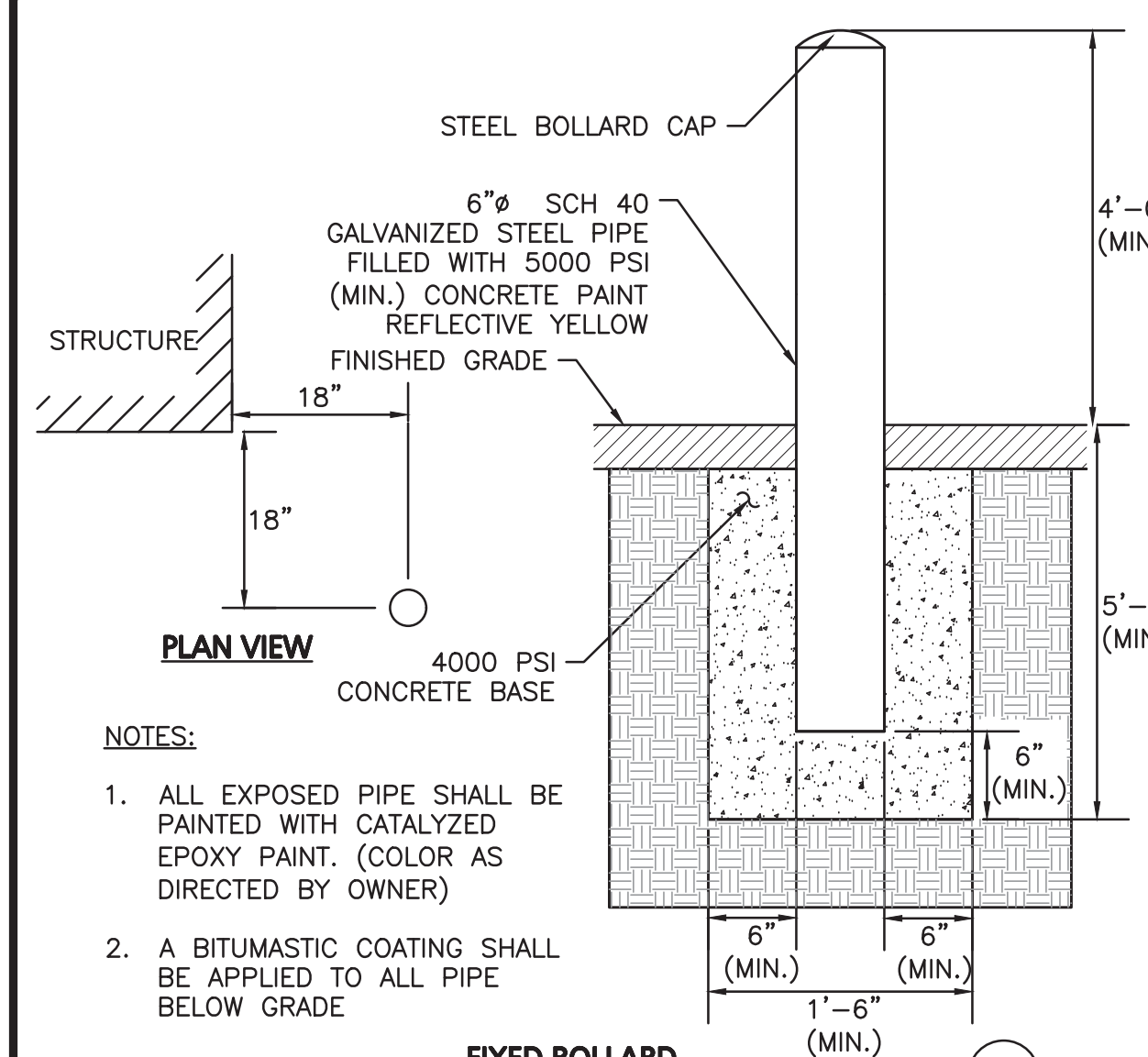
ASPHALT PAVEMENT SECTION
NOT TO SCALE



CAPE COD BERM
NOT TO SCALE



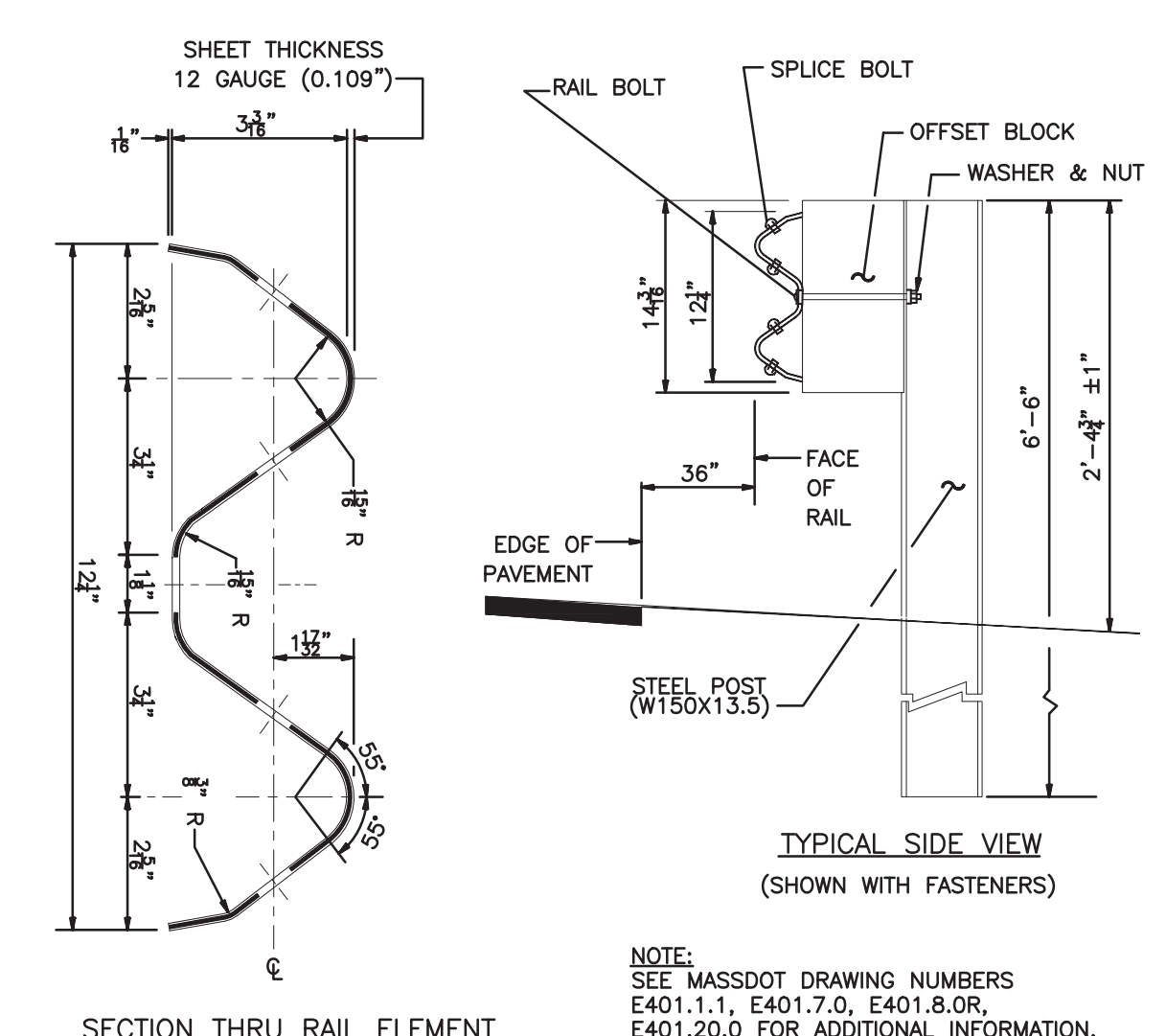
CONCRETE DUMPSTER PAD
NOT TO SCALE



NOTES:

1. ALL EXPOSED PIPE SHALL BE PAINTED WITH CATALYZED EPOXY PAINT. (COLOR AS DIRECTED BY OWNER)
2. A BITUMASTIC COATING SHALL BE APPLIED TO ALL PIPE BELOW GRADE

FIXED BOLLARD
NOT TO SCALE



STEEL GUARDRAIL
NOT TO SCALE



PROFESSIONAL ENGINEER FOR
ALLEN & MAJOR ASSOCIATES, INC.

REV	DATE	DESCRIPTION
7	12-14-23	ISSUED FOR SITE PLAN AMENDMENT
6	10-24-23	REVISED PER CONDITIONS OF APPROVAL
5	05-18-23	REVISION 5 PER REVIEW COMMENTS
4	05-11-23	REVISION 4 PER REVIEW COMMENTS
3	05-01-23	REVISION 3 PER REVIEW COMMENTS
2	04-14-23	REVISION 2 PER DPW COMMENTS
1	04-04-23	REVISION 1 PER PEER REVIEW

APPLICANT/OWNER:

TMC HOLDINGS & DEVELOPMENT 2, LLC
24 WILLIAM WAY
BELLINGHAM, MA 02019

PROJECT:

25 FORGE PARKWAY
FRANKLIN, MA

PROJECT NO. 2712-02A DATE: 02-21-23

SCALE: AS SHOWN DWG. NAME: C-2712-02A

DESIGNED BY: SM/JRG CHECKED BY: BDJ

PREPARED BY:



ALLEN & MAJOR ASSOCIATES, INC.

civil engineering • land surveying
environmental consulting • landscape architecture
www.allenmajor.com
100 COMMERCE WAY, SUITE 5
WOBURN MA 01801
TEL: (781) 935-6889
FAX: (781) 935-2896

WOBURN, MA • LAKEVILLE, MA • MANCHESTER, NH

THIS DRAWING HAS BEEN PREPARED IN DIGITAL FORMAT. CLIENTS REPRESENTATIVE OR CONSULTANTS MAY BE PROVIDED COPIES OF DRAWINGS AND SPECIFICATIONS FOR HIS/HER INFORMATION AND/OR SPECIFIC USE ON THIS PROJECT. DUE TO THE POTENTIAL THAT THE PROVIDED INFORMATION MAY BE MODIFIED UNINTENTIONALLY OR OTHERWISE, ALLEN & MAJOR ASSOCIATES, INC. MAY REMOVE ALL INDICATION OF THE DOCUMENT'S AUTHORSHIP ON THE DIGITAL MEDIA. PRINTED REPRESENTATIONS OR PORTABLE DOCUMENT FORMAT OF THE DRAWINGS AND SPECIFICATIONS ISSUED SHALL BE THE ONLY RECORD COPIES OF ALLEN & MAJOR ASSOCIATES, INC.'S WORK PRODUCT.

DRAWING TITLE: SHEET No.

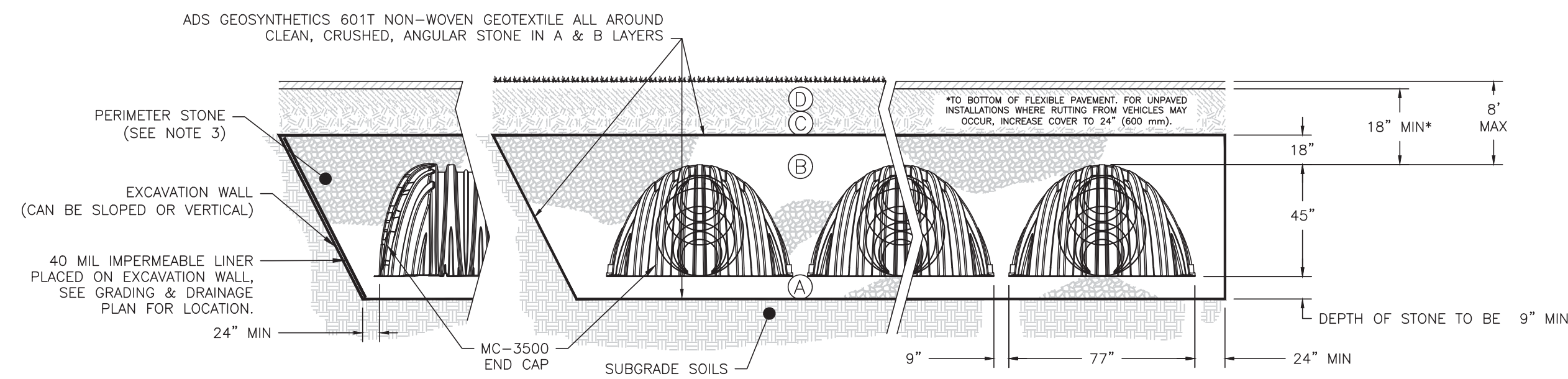
DETAILS C-501

Copyright © 2023 Allen & Major Associates, Inc. All Rights Reserved

ACCEPTABLE FILL MATERIALS: STORMTECH MC-3500 CHAMBER SYSTEMS

MATERIAL LOCATION	DESCRIPTION	AASHTO MATERIAL CLASSIFICATIONS	COMPACTION / DENSITY REQUIREMENT
D	FINAL FILL: FILL MATERIAL FOR LAYER 'D' STARTS FROM THE TOP OF THE 'C' LAYER TO THE BOTTOM OF FLEXIBLE PAVEMENT OR UNPAVED FINISHED GRADE ABOVE. NOTE THAT PAVEMENT SUBBASE MAY BE PART OF THE 'D' LAYER.	N/A	PREPARE PER SITE DESIGN ENGINEER'S PLANS.
C	INITIAL FILL: FILL MATERIAL FOR LAYER 'C' STARTS FROM THE TOP OF THE EMBEDMENT STONE ('B' LAYER) TO 24" (600 mm) ABOVE THE TOP OF THE CHAMBER. NOTE THAT PAVEMENT SUBBASE MAY BE A PART OF THE 'C' LAYER.	AASHTO M145 ¹ A-1, A-2-4, A-3 OR AASHTO M43 ¹ 3, 357, 4, 467, 5, 56, 57, 6, 67, 68, 7, 78, 8, 89, 9, 10	BEGIN COMPACTIONS AFTER 24" (600 mm) OF MATERIAL OVER THE CHAMBERS IS REACHED. COMPACT ADDITIONAL LAYERS IN 12" (300 mm) MAX LIFTS TO A MIN. 95% PROCTOR DENSITY FOR WELL GRADED MATERIAL AND 95% RELATIVE DENSITY FOR PROCESSED AGGREGATE MATERIALS.
B	EMBEDMENT STONE: FILL SURROUNDING THE CHAMBERS FROM THE FOUNDATION STONE ('A' LAYER) TO THE 'C' LAYER ABOVE.	AASHTO M43 ¹ 3, 4	
A	FOUNDATION STONE: FILL BELOW CHAMBERS FROM THE SUBGRADE UP TO THE FOOT (BOTTOM) OF THE CHAMBER.	AASHTO M43 ¹ 3, 4	PLATE COMPACT OR ROLL TO ACHIEVE A FLAT SURFACE. ^{2,3}

- PLEASE NOTE:
- THE LISTED AASHTO DESIGNATIONS ARE FOR GRADATIONS ONLY. THE STONE MUST ALSO BE CLEAN, CRUSHED, ANGULAR. FOR EXAMPLE, A SPECIFICATION FOR #4 STONE WOULD STATE: "CLEAN, CRUSHED, ANGULAR NO. 4 (AASHTO M43) STONE".
 - STORMTECH COMPACTION REQUIREMENTS ARE MET FOR 'A' LOCATION MATERIALS WHEN PLACED AND COMPACTED IN 9" (230 mm) (MAX) LIFTS USING TWO FULL COVERAGES WITH A VIBRATORY COMPACTOR.
 - WHERE INFILTRATION SURFACES MAY BE COMPROMISED BY COMPACTION, FOR STANDARD DESIGN LOAD CONDITIONS, A FLAT SURFACE MAY BE ACHIEVED BY RAKING OR DRAGGING WITHOUT COMPACTION EQUIPMENT. FOR SPECIAL LOAD DESIGNS, CONTACT STORMTECH FOR COMPACTION REQUIREMENTS.
 - ONCE LAYER 'C' IS PLACED, ANY SOIL/MATERIAL CAN BE PLACED IN LAYER 'D' UP TO THE FINISHED GRADE. MOST PAVEMENT SUBBASE SOILS CAN BE USED TO REPLACE THE MATERIAL REQUIREMENTS OF LAYER 'C' OR 'D' AT THE SITE DESIGN ENGINEER'S DISCRETION.



- NOTES:**
- CHAMBERS SHALL MEET THE REQUIREMENTS OF ASTM F2418, "STANDARD SPECIFICATION FOR POLYPROPYLENE (PP) CORRUGATED WALL STORMWATER COLLECTION CHAMBERS" CHAMBER CLASSIFICATION 45x76 DESIGNATION SS.
 - MC-3500 CHAMBERS SHALL BE DESIGNED IN ACCORDANCE WITH ASTM F2787 "STANDARD PRACTICE FOR STRUCTURAL DESIGN OF THERMOPLASTIC CORRUGATED WALL STORMWATER COLLECTION CHAMBERS".
 - PERIMETER STONE MUST BE EXTENDED HORIZONTALLY TO THE EXCAVATION WALL FOR BOTH VERTICAL AND SLOPED EXCAVATION WALLS.
 - REQUIREMENTS FOR HANDLING AND INSTALLATION:
 - TO MAINTAIN THE WIDTH OF CHAMBERS DURING SHIPPING AND HANDLING, CHAMBERS SHALL HAVE INTEGRAL, INTERLOCKING STACKING LUGS.
 - TO ENSURE A SECURE JOINT DURING INSTALLATION AND BACKFILL, THE HEIGHT OF THE CHAMBER JOINT SHALL NOT BE LESS THAN 3".
 - TO ENSURE THE INTEGRITY OF THE ARCH SHAPE DURING INSTALLATION, a) THE ARCH STIFFNESS CONSTANT AS DEFINED IN SECTION 6.2.8 OF ASTM F2418 SHALL BE GREATER THAN OR EQUAL TO 500 LBS/FT². AND b) TO RESIST CHAMBER DEFORMATION DURING INSTALLATION AT ELEVATED TEMPERATURES (ABOVE 73° F / 23° C), CHAMBERS SHALL BE PRODUCED FROM REFLECTIVE GOLD OR YELLOW COLORS.

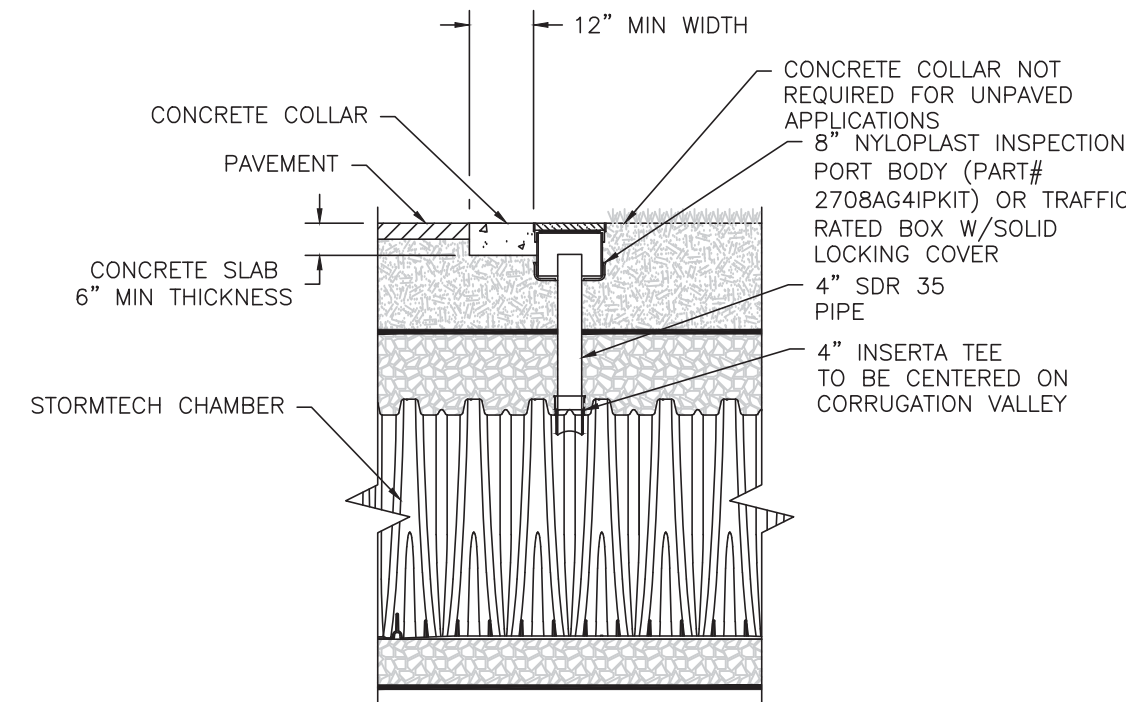
MC-3500 STORMTECH CHAMBER SPECIFICATIONS

- CHAMBERS SHALL BE STORMTECH MC-3500.
- CHAMBERS SHALL BE ARCH-SHAPED AND SHALL BE MANUFACTURED FROM VIRGIN, IMPACT-MODIFIED POLYPROPYLENE COPOLYMERS.
- CHAMBERS SHALL MEET THE REQUIREMENTS OF ASTM F2418, "STANDARD SPECIFICATION FOR POLYPROPYLENE (PP) CORRUGATED WALL STORMWATER COLLECTION CHAMBERS" CHAMBER CLASSIFICATION 45x76 DESIGNATION SS.
- CHAMBER ROWS SHALL PROVIDE CONTINUOUS, UNOBSTRUCTED INTERNAL SPACE WITH NO INTERNAL SUPPORTS THAT WOULD IMPEDE FLOW OR LIMIT ACCESS FOR INSPECTION.
- THE STRUCTURAL DESIGN OF THE CHAMBERS, THE STRUCTURAL BACKFILL, AND THE INSTALLATION REQUIREMENTS SHALL ENSURE THAT THE LOAD FACTORS SPECIFIED IN THE AASHTO LRFD BRIDGE DESIGN SPECIFICATIONS, SECTION 12.12, ARE MET FOR: 1) LONG-DURATION DEAD LOADS AND 2) SHORT-DURATION LIVE LOADS, BASED ON THE AASHTO DESIGN TRUCK WITH CONSIDERATION FOR IMPACT AND MULTIPLE VEHICLE PRESENCES.
- CHAMBERS SHALL BE DESIGNED, TESTED AND ALLOWABLE LOAD CONFIGURATIONS DETERMINED IN ACCORDANCE WITH ASTM F2787, "STANDARD PRACTICE FOR STRUCTURAL DESIGN OF THERMOPLASTIC CORRUGATED WALL STORMWATER COLLECTION CHAMBERS". LOAD CONFIGURATIONS SHALL INCLUDE: 1) INSTANTANEOUS (<1 MIN) AASHTO DESIGN TRUCK LIVE LOAD ON MINIMUM COVER 2) MAXIMUM PERMANENT (75-YR) COVER LOAD AND 3) ALLOWABLE COVER WITH PARKED (1-WEEK) AASHTO DESIGN TRUCK.
- REQUIREMENTS FOR HANDLING AND INSTALLATION:
 - TO MAINTAIN THE WIDTH OF CHAMBERS DURING SHIPPING AND HANDLING, CHAMBERS SHALL HAVE INTEGRAL, INTERLOCKING STACKING LUGS.
 - TO ENSURE A SECURE JOINT DURING INSTALLATION AND BACKFILL, THE HEIGHT OF THE CHAMBER JOINT SHALL NOT BE LESS THAN 3".
 - TO ENSURE THE INTEGRITY OF THE ARCH SHAPE DURING INSTALLATION, a) THE ARCH STIFFNESS CONSTANT SHALL BE GREATER THAN OR EQUAL TO 500 LBS/FT². AND b) TO RESIST CHAMBER DEFORMATION DURING INSTALLATION AT ELEVATED TEMPERATURES (ABOVE 73° F / 23° C), CHAMBERS SHALL BE PRODUCED FROM REFLECTIVE GOLD OR YELLOW COLORS.
- ONLY CHAMBERS THAT ARE APPROVED BY THE SITE DESIGN ENGINEER WILL BE ALLOWED. UPON REQUEST BY THE SITE DESIGN ENGINEER OR OWNER, THE CHAMBER MANUFACTURER SHALL SUBMIT A STRUCTURAL EVALUATION FOR APPROVAL BEFORE DELIVERING CHAMBERS TO THE PROJECT SITE AS FOLLOWS:
 - THE STRUCTURAL EVALUATION SHALL BE SEALED BY A REGISTERED PROFESSIONAL ENGINEER.
 - THE STRUCTURAL EVALUATION SHALL DEMONSTRATE THAT THE SAFETY FACTORS ARE GREATER THAN OR EQUAL TO 1.95 FOR DEAD LOAD AND 1.75 FOR LIVE LOAD, THE MINIMUM REQUIRED BY ASTM F2787 AND BY SECTIONS 3 AND 12.12 OF THE AASHTO LRFD BRIDGE DESIGN SPECIFICATIONS FOR THERMOPLASTIC PIPE.
 - THE TEST DERIVED CREEP MODULUS AS SPECIFIED IN ASTM F2418 SHALL BE USED FOR PERMANENT DEAD LOAD DESIGN EXCEPT THAT IT SHALL BE THE 75-YEAR MODULUS USED FOR DESIGN.
- CHAMBERS AND END CAPS SHALL BE PRODUCED AT AN ISO 9001 CERTIFIED MANUFACTURING FACILITY.



STORMTECH MC-3500 CHAMBER SYSTEM

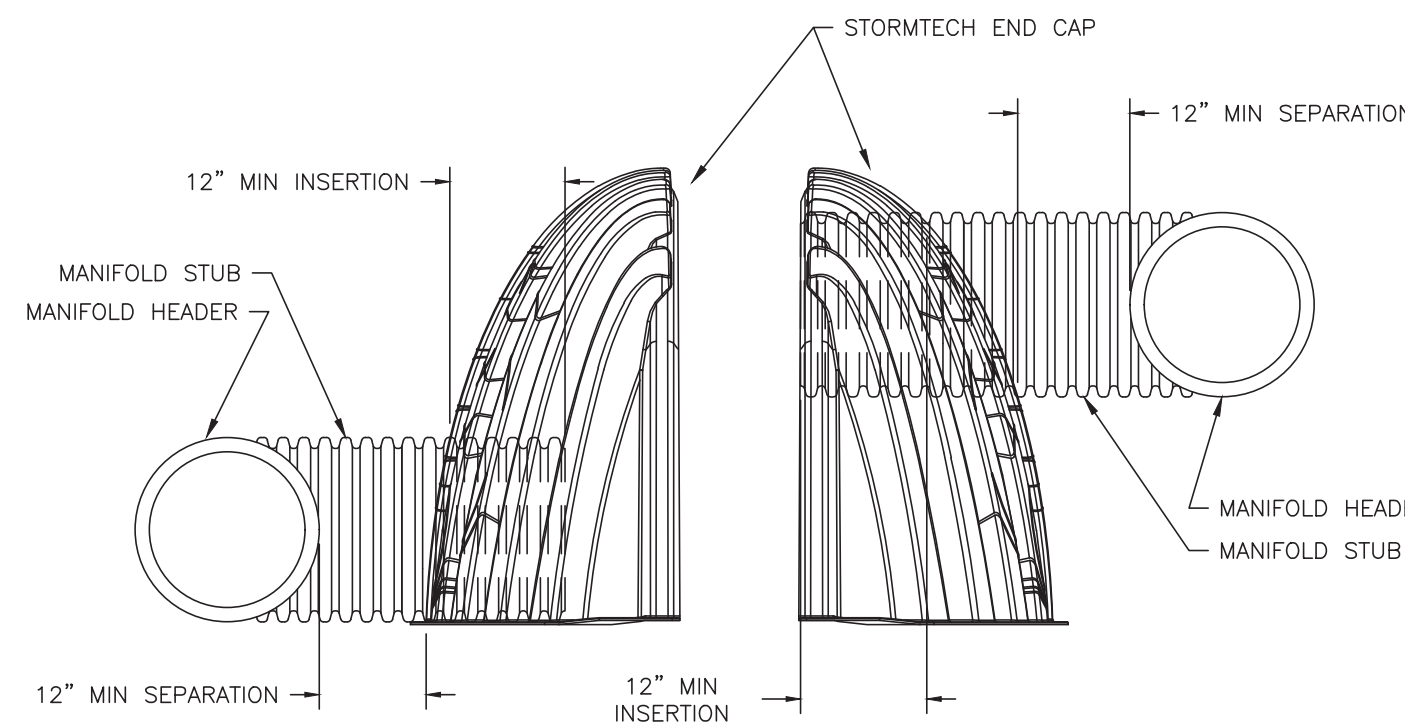
NOT TO SCALE



NOTE: INSPECTION PORTS MAY BE CONNECTED THROUGH ANY CHAMBER CORRUGATION VALLEY.

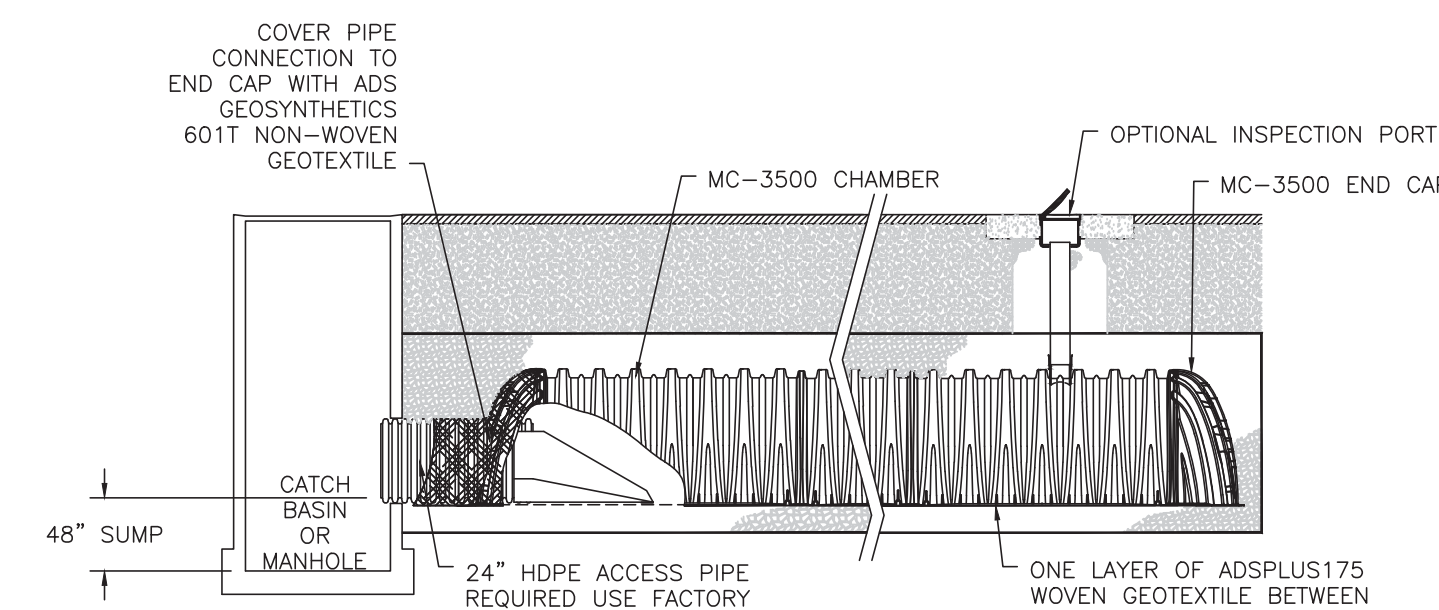
4" PVC INSPECTION PORT

NOT TO SCALE



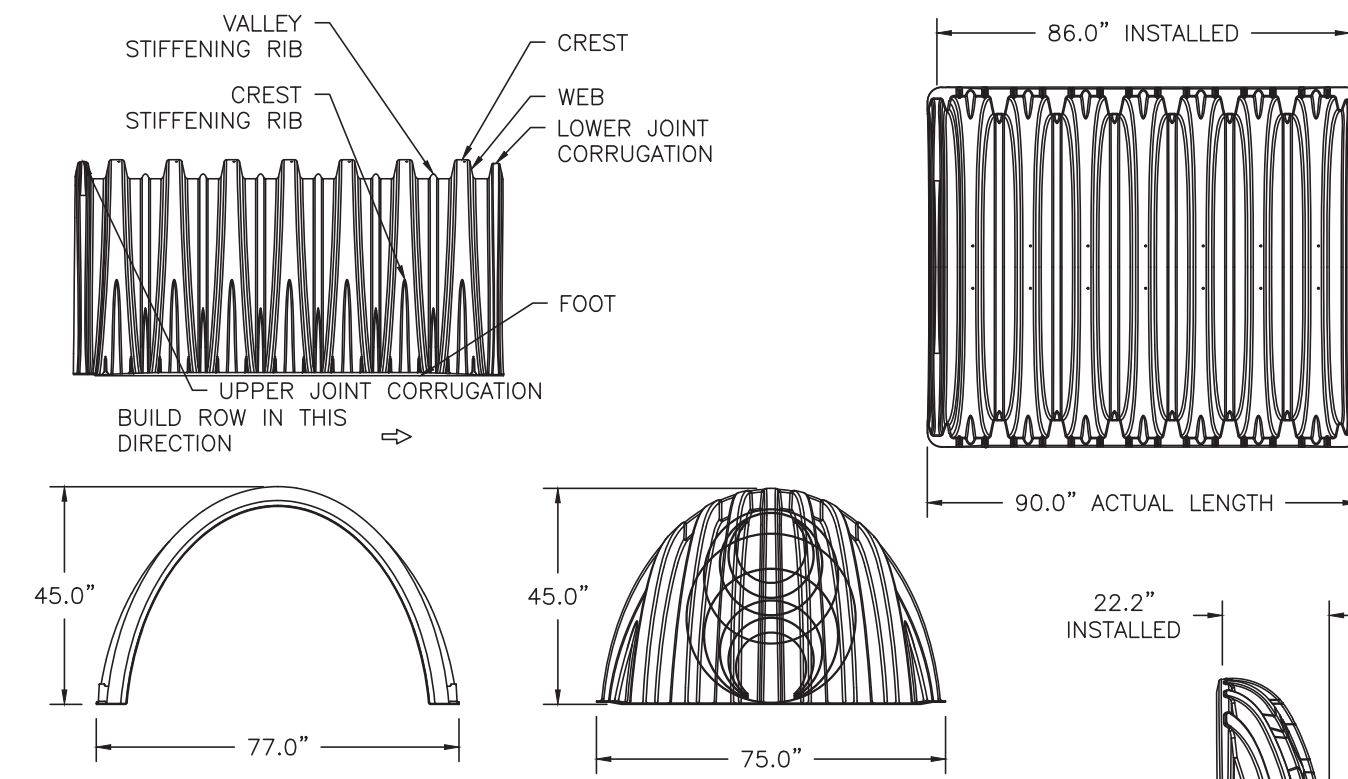
END CAP INSERTION DETAIL

NOT TO SCALE



MC-3500 - ISOLATOR ROW PLUS DETAIL

NOT TO SCALE



NOMINAL CHAMBER SPECIFICATIONS

SIZE (W x H x INSTALLED LENGTH)
CHAMBER STORAGE
MINIMUM INSTALLED STORAGE*
WEIGHT

SIZE (W x H x INSTALLED LENGTH)
END CAP STORAGE
MINIMUM INSTALLED STORAGE*
WEIGHT

SIZE (W x H x INSTALLED LENGTH)
END CAP STORAGE
MINIMUM INSTALLED STORAGE*
WEIGHT

*ASSUMES 12" STONE ABOVE, 9" STONE FOUNDATION, 6" STONE BETWEEN CHAMBERS, 6" STONE PERIMETER IN FRONT OF END CAPS AND 40% STONE POROSITY.

PARTIAL CUT HOLES AT BOTTOM OF END CAP FOR PART NUMBERS ENDING WITH "B"
PARTIAL CUT HOLES AT TOP OF END CAP FOR PART NUMBERS ENDING WITH "T"
END CAPS WITH A PREFABRICATED WELDED STUB END WITH "W"
END CAPS WITH A WELDED CROWN PLATE END WITH "C"

PART #	STUB	B	C
MC3500IEPP06T	6"	33.21"	---
MC3500IEPP06B	---	---	0.66"
MC3500IEPP08T	8"	31.16"	---
MC3500IEPP08B	---	---	0.81"
MC3500IEPP10T	10"	29.04"	---
MC3500IEPP10B	---	---	0.93"
MC3500IEPP12T	12"	26.36"	---
MC3500IEPP12B	---	---	1.35"
MC3500IEPP15T	15"	23.39"	---
MC3500IEPP15B	---	---	1.50"
MC3500IEPP18TC	---	---	1.77"
MC3500IEPP18TW	---	---	1.77"
MC3500IEPP18BC	---	---	1.77"
MC3500IEPP18BW	---	---	1.77"
MC3500IEPP24TC	---	---	2.06"
MC3500IEPP24TW	---	---	2.06"
MC3500IEPP24BC	---	---	2.06"
MC3500IEPP24BW	---	---	2.06"
MC3500IEPP30BC	---	---	2.75"

NOTE: ALL DIMENSIONS ARE NOMINAL

TECHNICAL SPECIFICATIONS

NOT TO SCALE

INSPECTION & MAINTENANCE

- STEP 1) INSPECT ISOLATOR ROW PLUS FOR SEDIMENT
- INSPECTION PORTS (IF PRESENT)
 - REMOVE/OPEN LID ON NYLOPLAST INLINE DRAIN
 - REMOVE AND CLEAN FLEXSTORM FILTER IF INSTALLED
 - USING A FLASHLIGHT AND STADIA ROD, MEASURE DEPTH OF SEDIMENT AND RECORD ON MAINTENANCE LOG
 - LOWER A CAMERA INTO ISOLATOR ROW PLUS FOR VISUAL INSPECTION OF SEDIMENT LEVELS (OPTIONAL)
 - IF SEDIMENT IS AT, OR ABOVE, 3" (80 mm) PROCEED TO STEP 2. IF NOT, PROCEED TO STEP 3.
- B. ALL ISOLATOR PLUS ROWS
- REMOVE COVER FROM STRUCTURE AT UPSTREAM END OF ISOLATOR ROW PLUS
 - USING A FLASHLIGHT, INSPECT DOWN THE ISOLATOR ROW PLUS THROUGH OUTLET PIPE
 - MIRRORS ON POLES OR CAMERAS MAY BE USED TO AVOID A CONFINED SPACE ENTRY
 - FOLLOW OSHA REGULATIONS FOR CONFINED SPACE ENTRY IF ENTERING MANHOLE
 - IF SEDIMENT IS AT, OR ABOVE, 3" (80 mm) PROCEED TO STEP 2. IF NOT, PROCEED TO STEP 3.
- STEP 2) CLEAN OUT ISOLATOR ROW PLUS USING THE JETVAC PROCESS
- A FIXED CULVERT CLEANING NOZZLE WITH REAR FACING SPREAD OF 45" (1.1 m) OR MORE IS PREFERRED
 - APPLY MULTIPLE PASSES OF JETVAC UNTIL BACKFLUSH WATER IS CLEAN
 - VACUUM STRUCTURE SUMP AS REQUIRED
- STEP 3) REPLACE ALL COVERS, GRATES, FILTERS, AND LIDS; RECORD OBSERVATIONS AND ACTIONS.
- STEP 4) INSPECT AND CLEAN BASINS AND MANHOLES UPSTREAM OF THE STORMTECH SYSTEM.

NOTES

- INSPECT EVERY 6 MONTHS DURING THE FIRST YEAR OF OPERATION. ADJUST THE INSPECTION INTERVAL BASED ON PREVIOUS OBSERVATIONS OF SEDIMENT ACCUMULATION AND HIGH WATER ELEVATIONS.
- CONDUCT JETTING AND VACTORING ANNUALLY OR WHEN INSPECTION SHOWS THAT MAINTENANCE IS NECESSARY.



PROFESSIONAL ENGINEER FOR ALLEN & MAJOR ASSOCIATES, INC.

REV	DATE	DESCRIPTION
7	12-14-23	ISSUED FOR SITE PLAN AMENDMENT
6	10-24-23	REVISED PER CONDITIONS OF APPROVAL
5	05-18-23	REVISION 5 PER REVIEW COMMENTS
4	05-11-23	REVISION 4 PER REVIEW COMMENTS
3	05-01-23	REVISION 3 PER REVIEW COMMENTS
2	04-14-23	REVISION 2 PER DPW COMMENTS
1	04-04-23	REVISION 1 PER PEER REVIEW

APPLICANT/OWNER:

TMC HOLDINGS & DEVELOPMENT 2, LLC
24 WILLIAM WAY
BELLINGHAM, MA 02019

PROJECT:

25 FORGE PARKWAY
FRANKLIN, MA

PROJECT NO. 2712-02A DATE: 02-21-23

SCALE: AS SHOWN DWG. NAME: C-2712-02A

DESIGNED BY: SM/JRG CHECKED BY: BDI

PREPARED BY:



ALLEN & MAJOR ASSOCIATES, INC.

civil engineering • land surveying
environmental consulting • landscape architecture
www.allenmajor.com
100 COMMERCE WAY, SUITE 5
WOBURN MA 01801
TEL: (781) 935-6889
FAX: (781) 935-2896

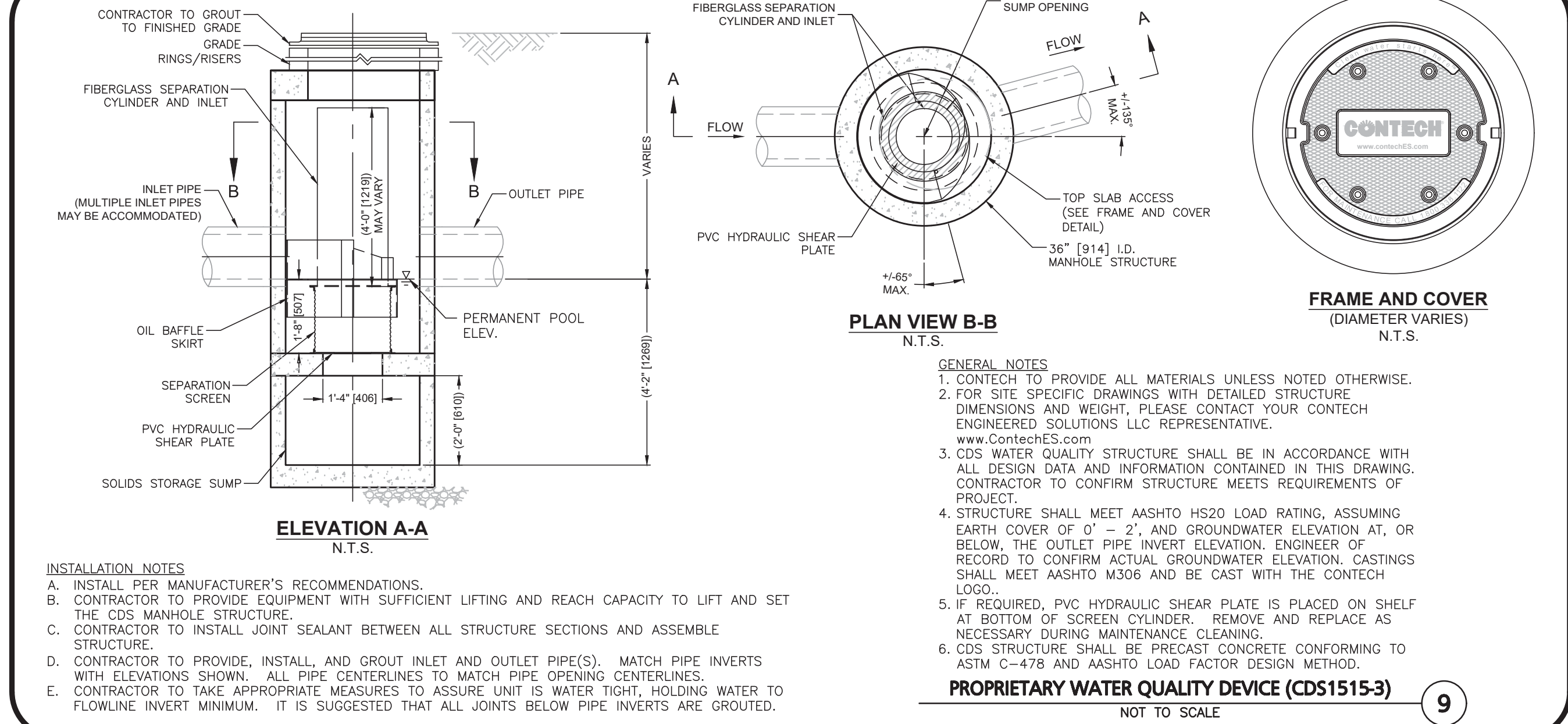
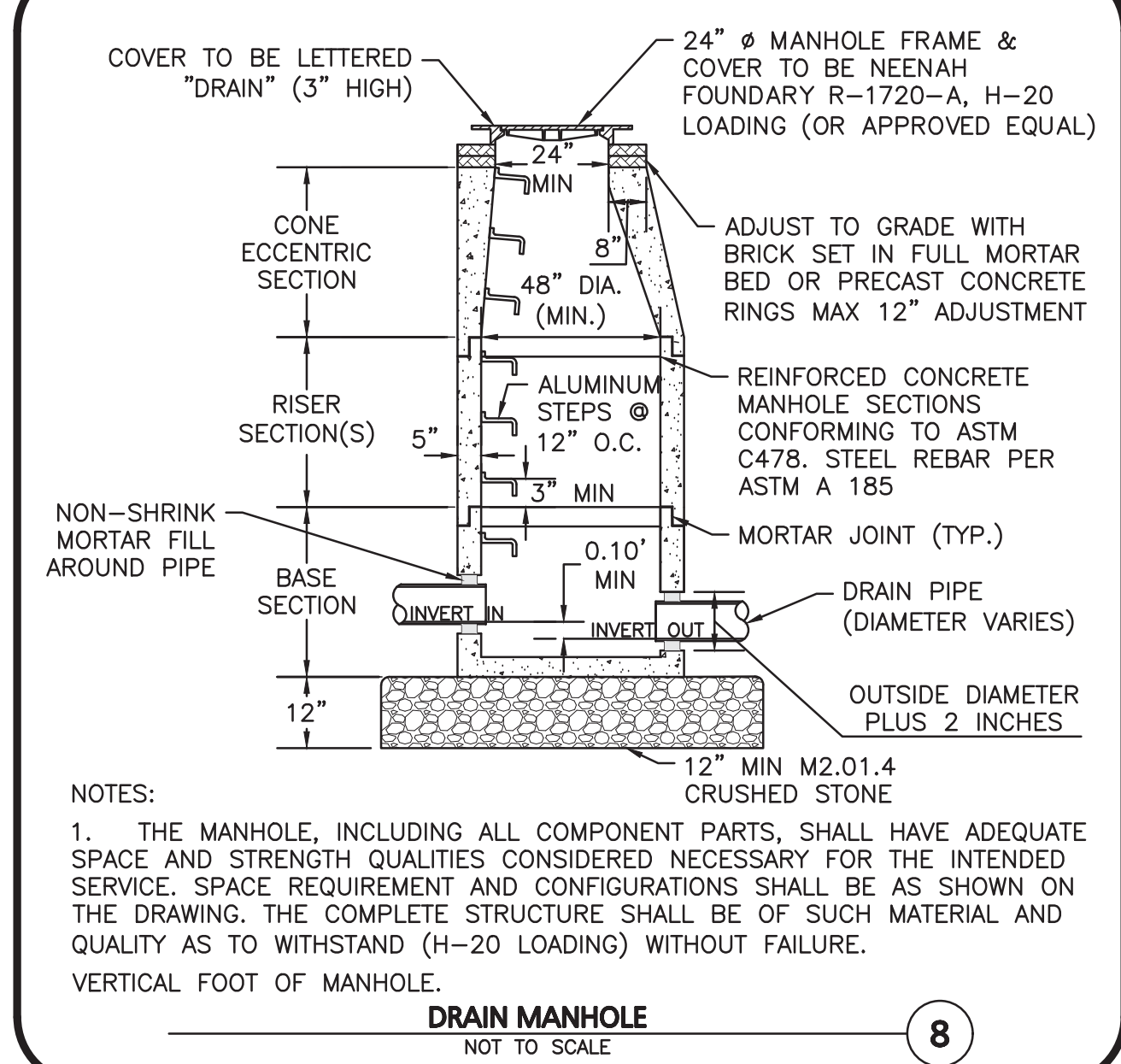
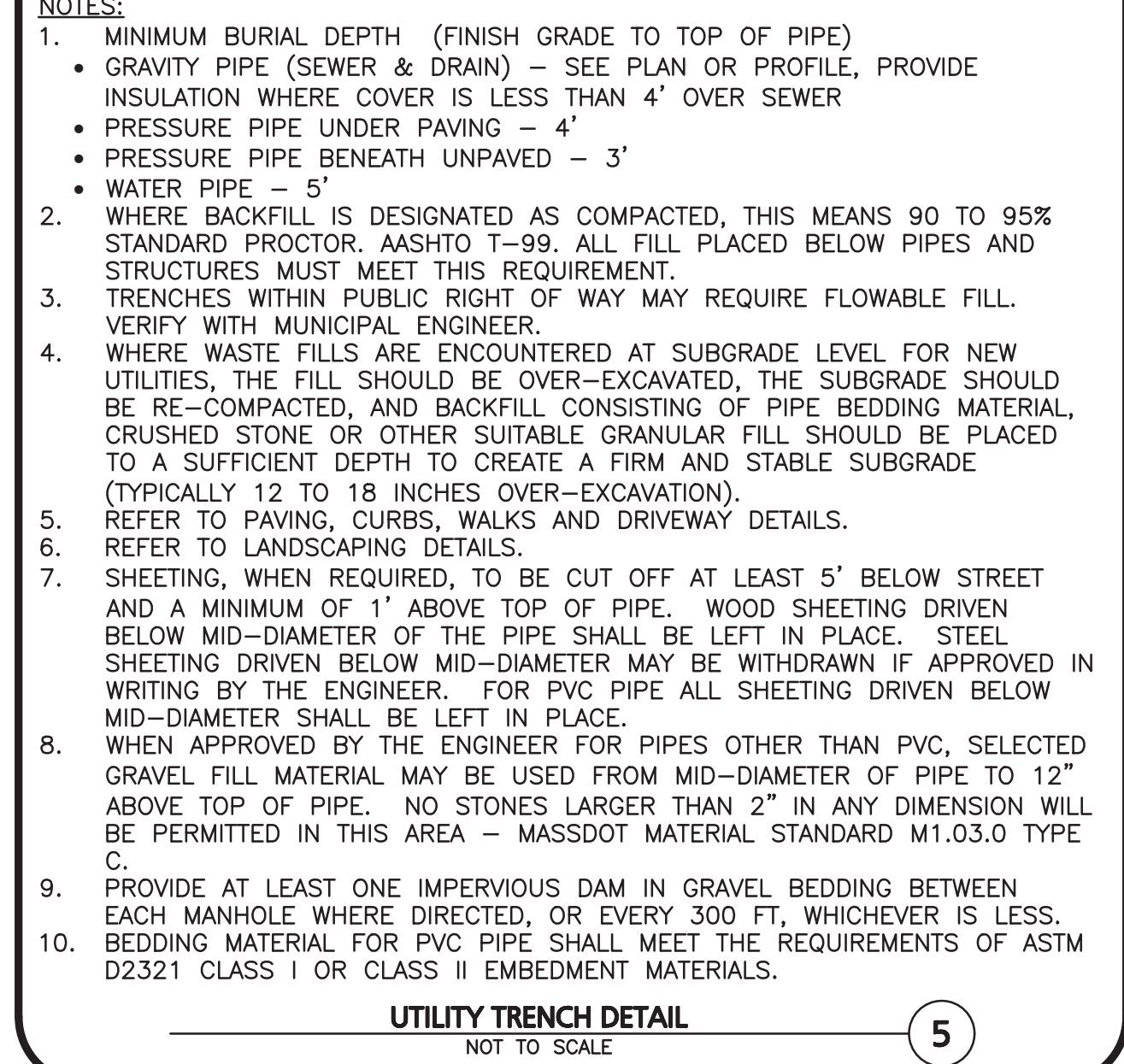
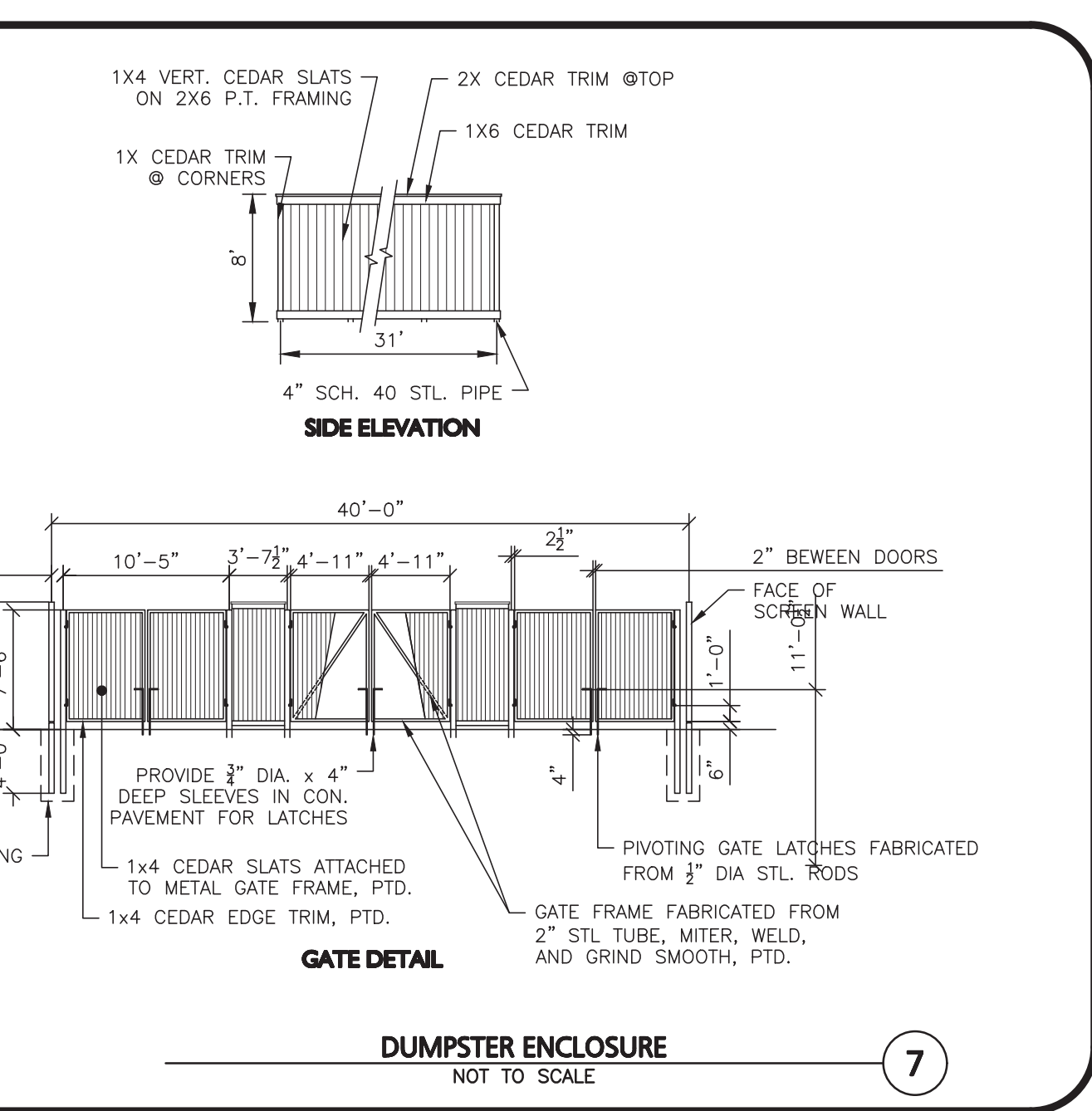
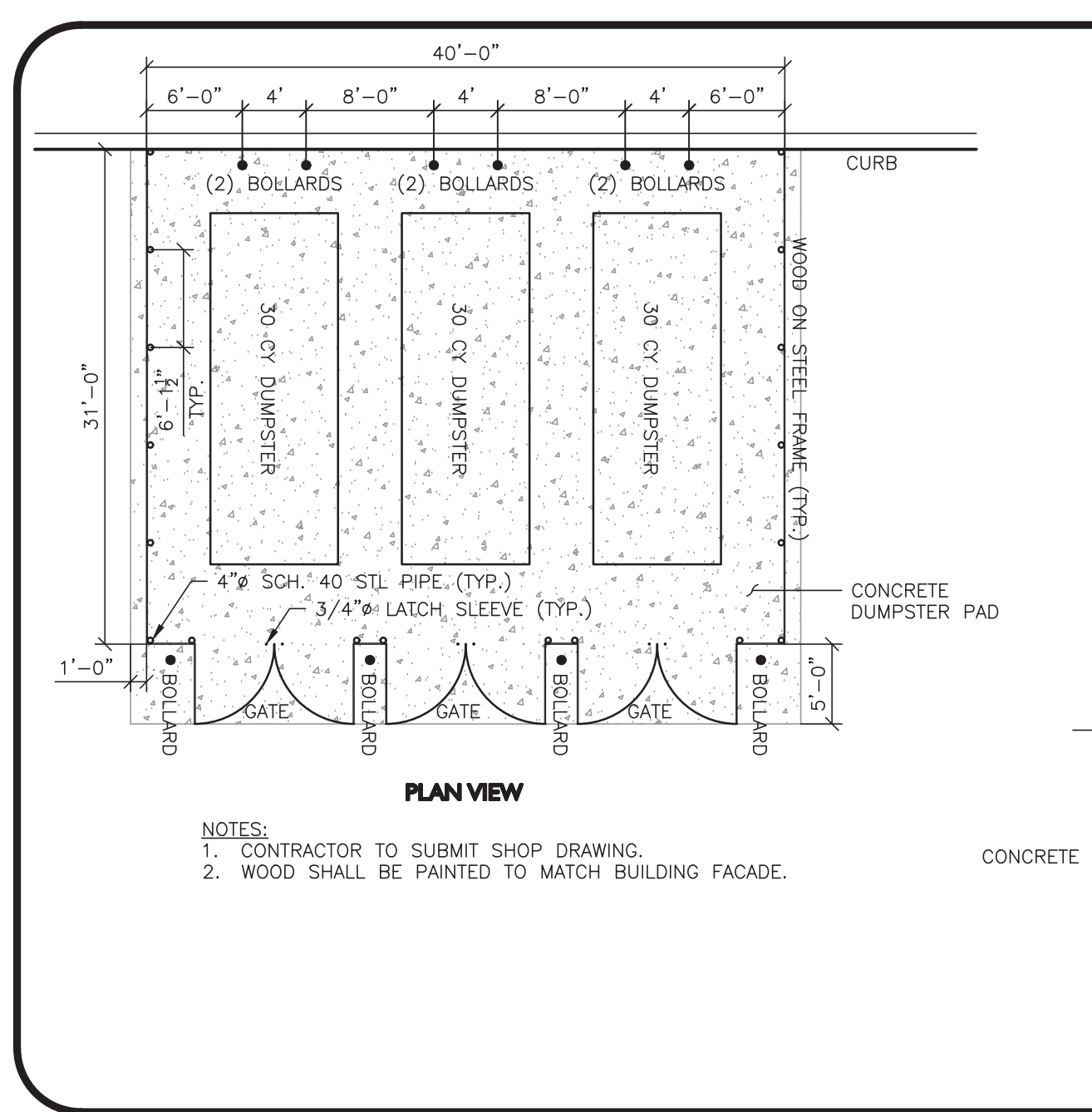
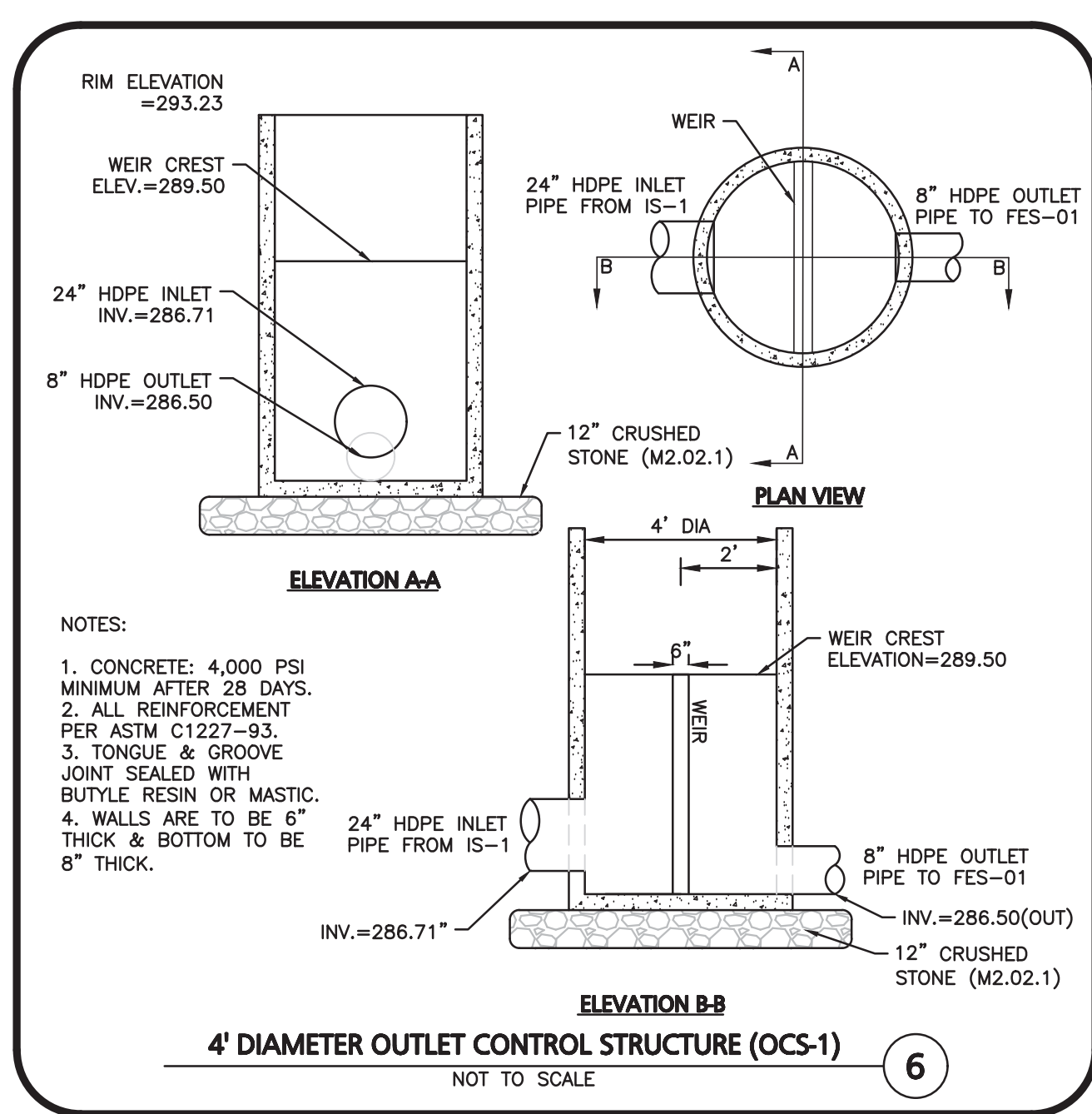
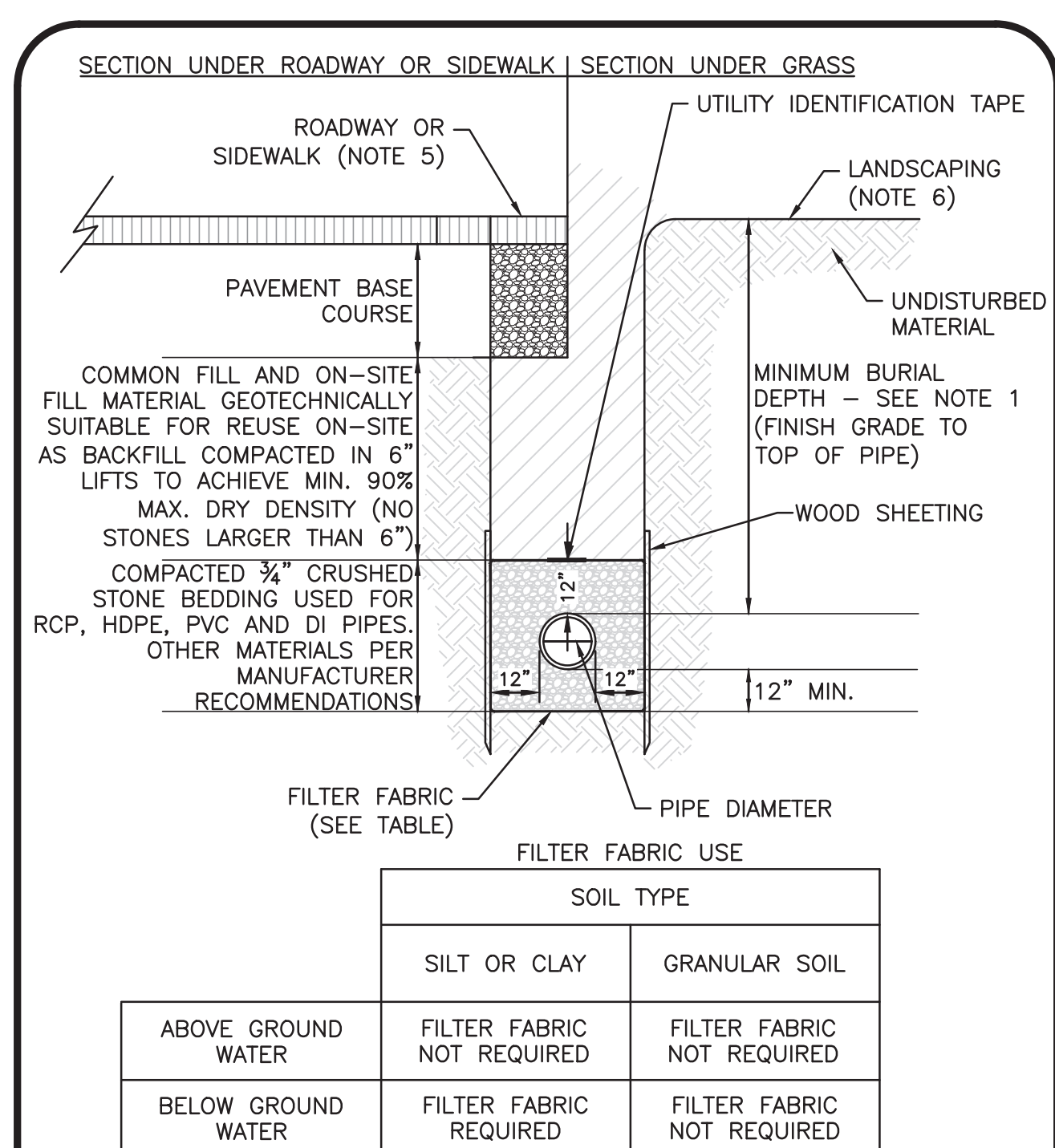
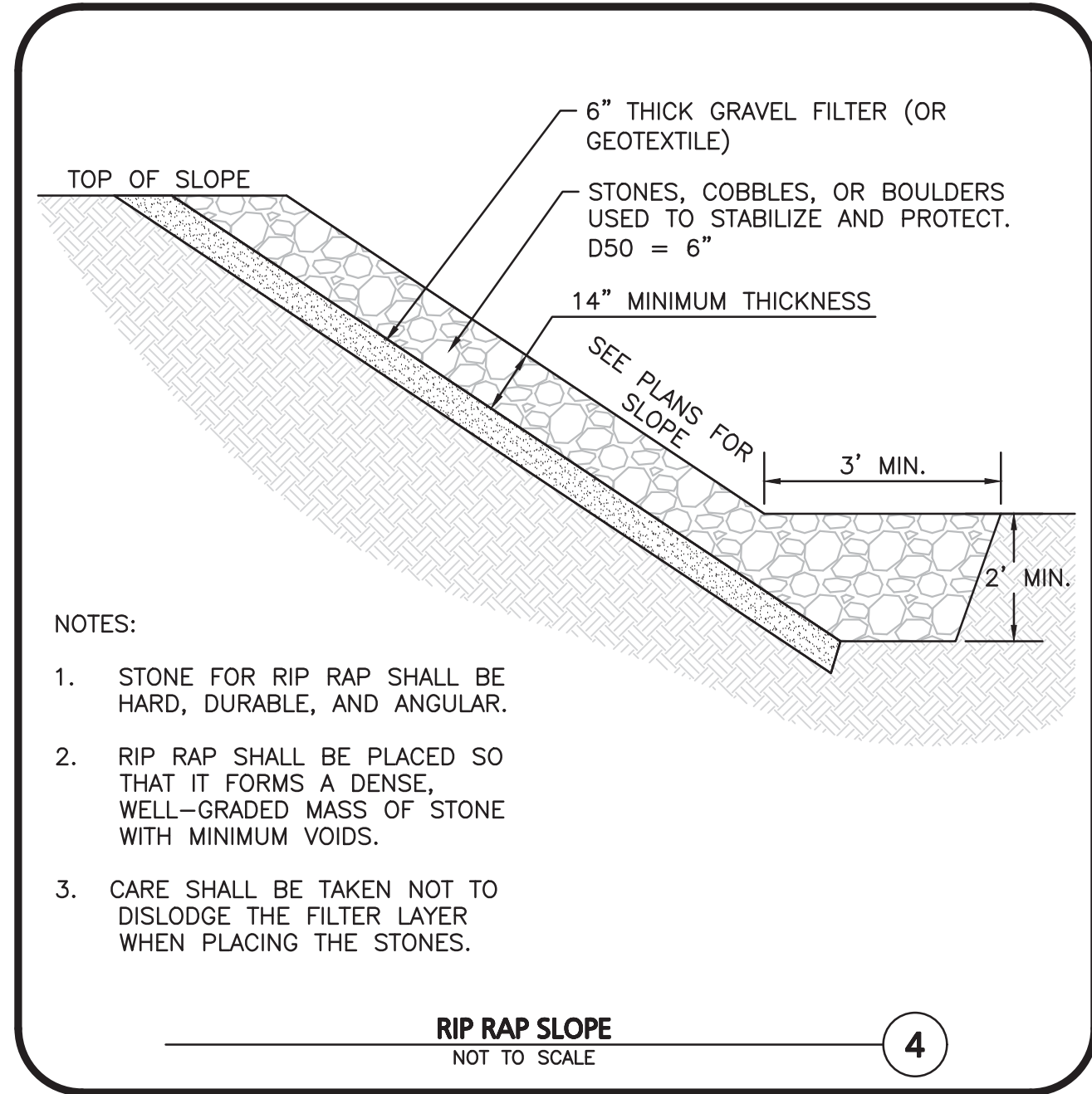
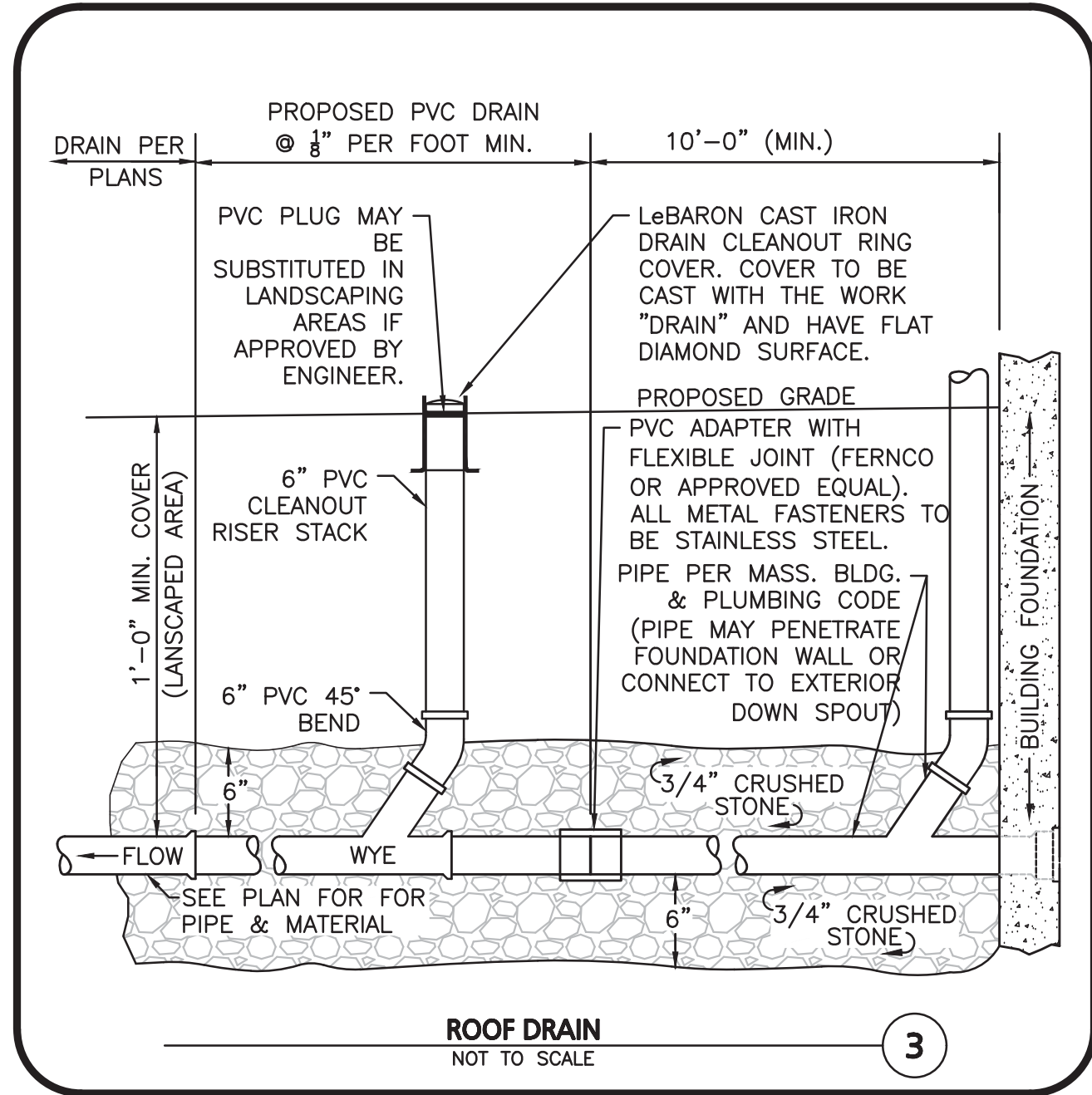
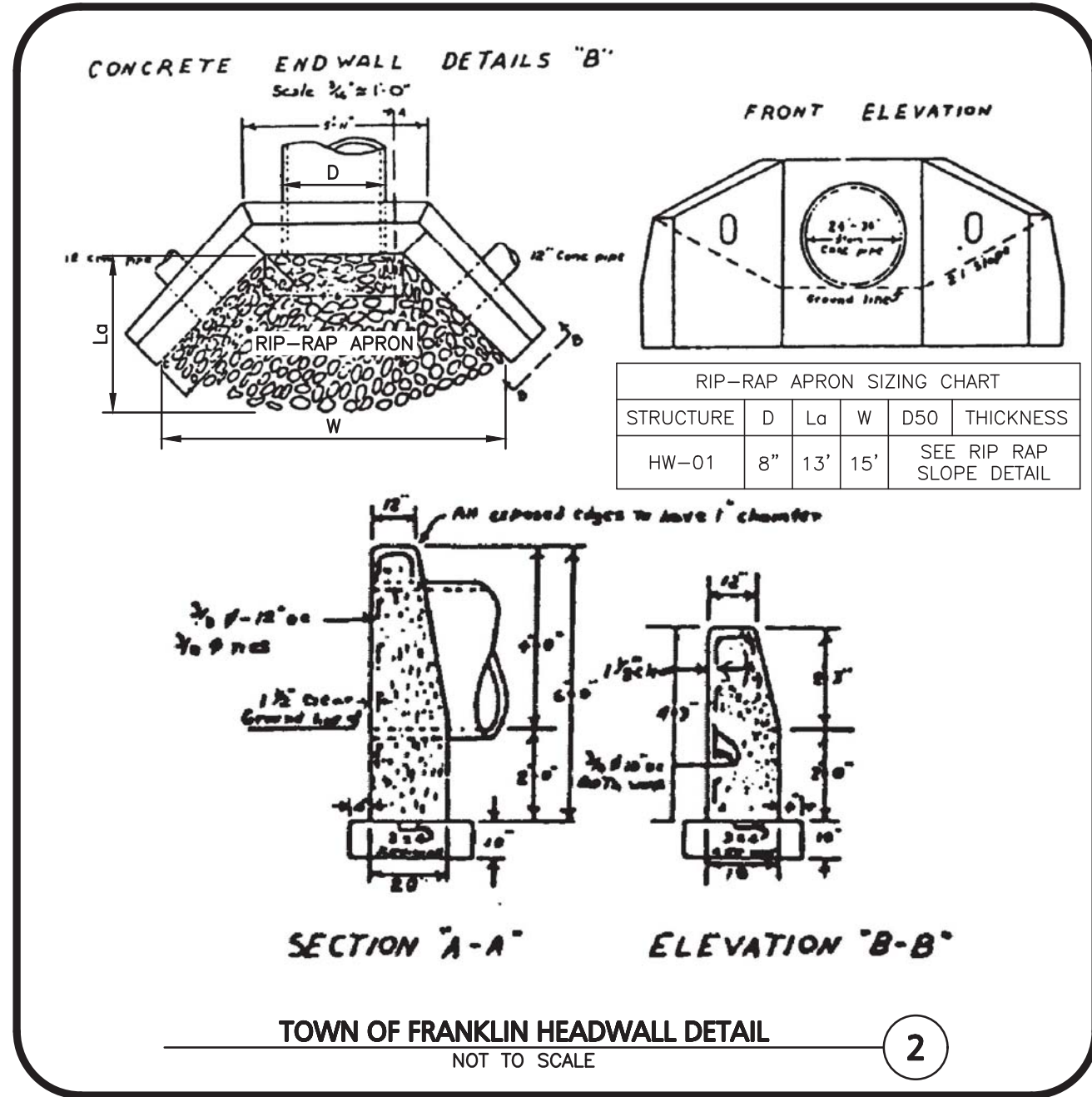
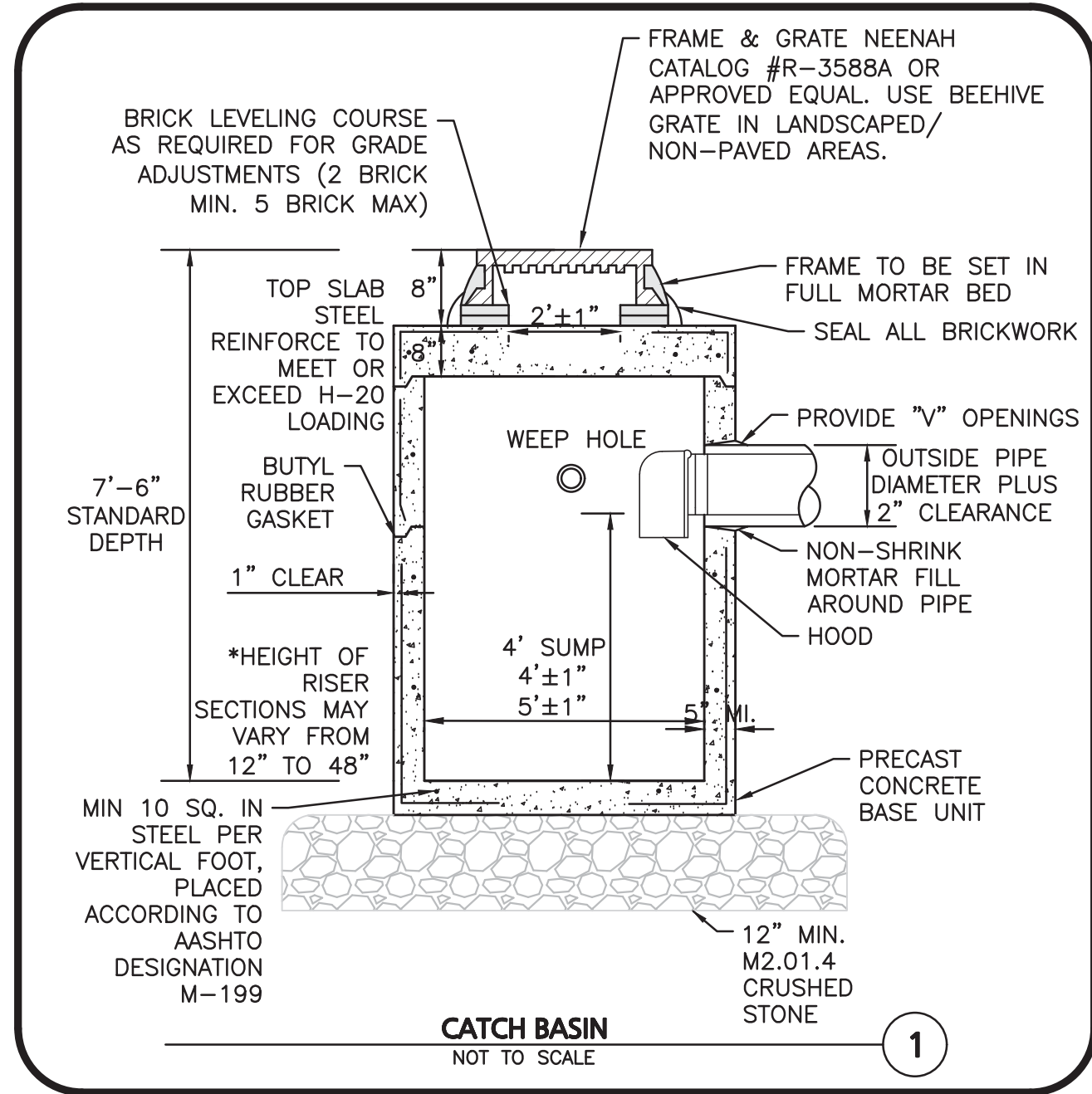
WOBURN, MA • LAKEVILLE, MA • MANCHESTER, NH

THIS DRAWING HAS BEEN PREPARED IN DIGITAL FORMAT. CLIENTS/CLIENTS REPRESENTATIVE OR CONSULTANTS MAY BE PROVIDED COPIES OF DRAWINGS AND SPECIFICATIONS FOR HIS/HER INFORMATION AND/OR SPECIFIC USE ON THIS PROJECT. DUE TO THE POTENTIAL THAT THE PROVIDED INFORMATION MAY BE MODIFIED UNINTENTIONALLY OR OTHERWISE, ALLEN & MAJOR ASSOCIATES, INC. MAY REMOVE ALL INDICATION OF THE DOCUMENT'S AUTHORSHIP ON THE DIGITAL MEDIA. PRINTED REPRESENTATIONS OR PORTABLE DOCUMENT FORMAT OF THE DRAWINGS AND SPECIFICATIONS ISSUED SHALL BE THE ONLY RECORD COPIES OF ALLEN & MAJOR ASSOCIATES, INC.'S WORK PRODUCT.

DRAWING TITLE: SHEET No.

DETAILS C-502

Copyright © 2023 Allen & Major Associates, Inc. All Rights Reserved



PROFESSIONAL ENGINEER FOR ALLEN & MAJOR ASSOCIATES, INC.

REV	DATE	DESCRIPTION
7	12-14-23	ISSUED FOR SITE PLAN AMENDMENT
6	10-24-23	REVISED PER CONDITIONS OF APPROVAL
5	05-18-23	REVISION 5 PER REVIEW COMMENTS
4	05-11-23	REVISION 4 PER REVIEW COMMENTS
3	05-01-23	REVISION 3 PER REVIEW COMMENTS
2	04-14-23	REVISION 2 PER DPW COMMENTS
1	04-04-23	REVISION 1 PER PEER REVIEW

APPLICANT/OWNER:
TMC HOLDINGS & DEVELOPMENT 2, LLC
24 WILLIAM WAY
BELLINGHAM, MA 02019

PROJECT:
25 FORGE PARKWAY
FRANKLIN, MA

PROJECT NO. 2712-02A DATE: 02-21-23
SCALE: AS SHOWN DWG. NAME: C-2712-02A
DESIGNED BY: SM/JRG CHECKED BY: BDJ

PREPARED BY:

ALLEN & MAJOR ASSOCIATES, INC.
civil engineering • land surveying
environmental consulting • landscape architecture
www.allenmajor.com
100 COMMERCE WAY, SUITE 5
WOBBURN MA 01801
TEL: (781) 935-6889
FAX: (781) 935-2896

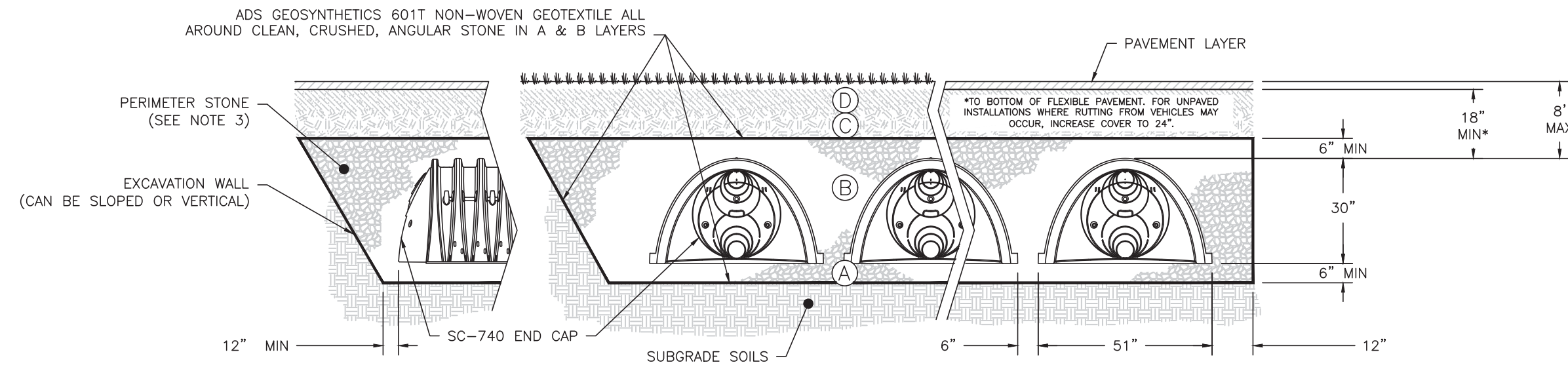
THIS DRAWING HAS BEEN PREPARED IN DIGITAL FORMAT. CLIENTS/CLIENTS REPRESENTATIVE OR CONSULTANTS MAY BE PROVIDED COPIES OF DRAWINGS AND SPECIFICATIONS FOR HIS/HER INFORMATION AND/OR SPECIFIC USE ON THIS PROJECT. DUE TO THE POTENTIAL THAT THE PROVIDED INFORMATION MAY BE MODIFIED UNINTENTIONALLY OR OTHERWISE, ALLEN & MAJOR ASSOCIATES, INC. MAY REMOVE ALL INDICATION OF THE DOCUMENT'S AUTHORSHIP ON THE DIGITAL MEDIA. PRINTED REPRESENTATIONS OR PORTABLE DOCUMENT FORMAT OF THE DRAWINGS AND SPECIFICATIONS ISSUED SHALL BE THE ONLY RECORD COPIES OF ALLEN & MAJOR ASSOCIATES, INC.'S WORK PRODUCT.

DRAWING TITLE: **DETAILS** SHEET No. **C-503**

ACCEPTABLE FILL MATERIALS: STORMTECH SC-740 CHAMBER SYSTEMS

MATERIAL LOCATION	DESCRIPTION	AASHTO MATERIAL CLASSIFICATIONS	COMPACTION / DENSITY REQUIREMENT
D	FINAL FILL: FILL MATERIAL FOR LAYER 'D' STARTS FROM THE TOP OF THE 'C' LAYER TO THE BOTTOM OF FLEXIBLE PAVEMENT OR UNPAVED FINISHED GRADE ABOVE. NOTE THAT PAVEMENT SUBBASE MAY BE PART OF THE 'D' LAYER.	N/A	PREPARE PER SITE DESIGN ENGINEER'S PLANS. PAVED INSTALLATIONS MAY HAVE STRINGENT MATERIAL AND PREPARATION REQUIREMENTS.
C	INITIAL FILL: FILL MATERIAL FOR LAYER 'C' STARTS FROM THE TOP OF THE EMBEDMENT STONE ('B' LAYER) TO 12" (450 mm) ABOVE THE TOP OF THE CHAMBER. NOTE THAT PAVEMENT SUBBASE MAY BE A PART OF THE 'C' LAYER.	AASHTO M145 A-1, A-2-4, A-3 OR AASHTO M43 ¹ 3, 357, 4, 467, 5, 56, 57, 6, 67, 68, 7, 78, 8, 89, 9, 10	BEGIN COMPACTIONS AFTER 12" OF MATERIAL OVER THE CHAMBERS IS REACHED. COMPACT ADDITIONAL LAYERS IN 6" MAX LIFTS TO A MIN. 95% PROCTOR DENSITY FOR WELL GRADED MATERIAL AND 95% RELATIVE DENSITY FOR PROCESSED AGGREGATE MATERIALS. ROLLER GROSS VEHICLE WEIGHT NOT TO EXCEED 12,000 lbs. DYNAMIC FORCE NOT TO EXCEED 20,000 lbs.
B	EMBEDMENT STONE: FILL SURROUNDING THE CHAMBERS FROM THE FOUNDATION STONE ('A' LAYER) TO THE 'C' LAYER ABOVE.	AASHTO M43 ¹ 3, 357, 4, 467, 5, 56, 57	NO COMPACTION REQUIRED.
A	FOUNDATION STONE: FILL BELOW CHAMBERS FROM THE SUBGRADE UP TO THE FOOT (BOTTOM) OF THE CHAMBER.	AASHTO M43 ¹ 3, 357, 4, 467, 5, 56, 57	PLATE COMPACT OR ROLL TO ACHIEVE A FLAT SURFACE. ^{2,3}

- PLEASE NOTE:
- THE LISTED AASHTO DESIGNATIONS ARE FOR GRADATIONS ONLY. THE STONE MUST ALSO BE CLEAN, CRUSHED, ANGULAR. FOR EXAMPLE, A SPECIFICATION FOR #4 STONE WOULD STATE: "CLEAN, CRUSHED, ANGULAR NO. 4 (AASHTO M43) STONE".
 - STORMTECH COMPACTION REQUIREMENTS ARE MET FOR 'A' LOCATION MATERIALS WHEN PLACED AND COMPACTED IN 6" (MAX) LIFTS USING TWO FULL COVERAGES WITH A VIBRATORY COMPACTOR.
 - WHERE INFILTRATION SURFACES MAY BE COMPROMISED BY COMPACTION, FOR STANDARD DESIGN LOAD CONDITIONS, A FLAT SURFACE MAY BE ACHIEVED BY RAKING OR DRAGGING WITHOUT COMPACTION EQUIPMENT. FOR SPECIAL LOAD DESIGNS, CONTACT STORMTECH FOR COMPACTION REQUIREMENTS.
 - ONCE LAYER 'C' IS PLACED, ANY SOIL/MATERIAL CAN BE PLACED IN LAYER 'D' UP TO THE FINISHED GRADE. MOST PAVEMENT SUBBASE SOILS CAN BE USED TO REPLACE THE MATERIAL REQUIREMENTS OF LAYER 'C' OR 'D' AT THE SITE DESIGN ENGINEER'S DISCRETION.



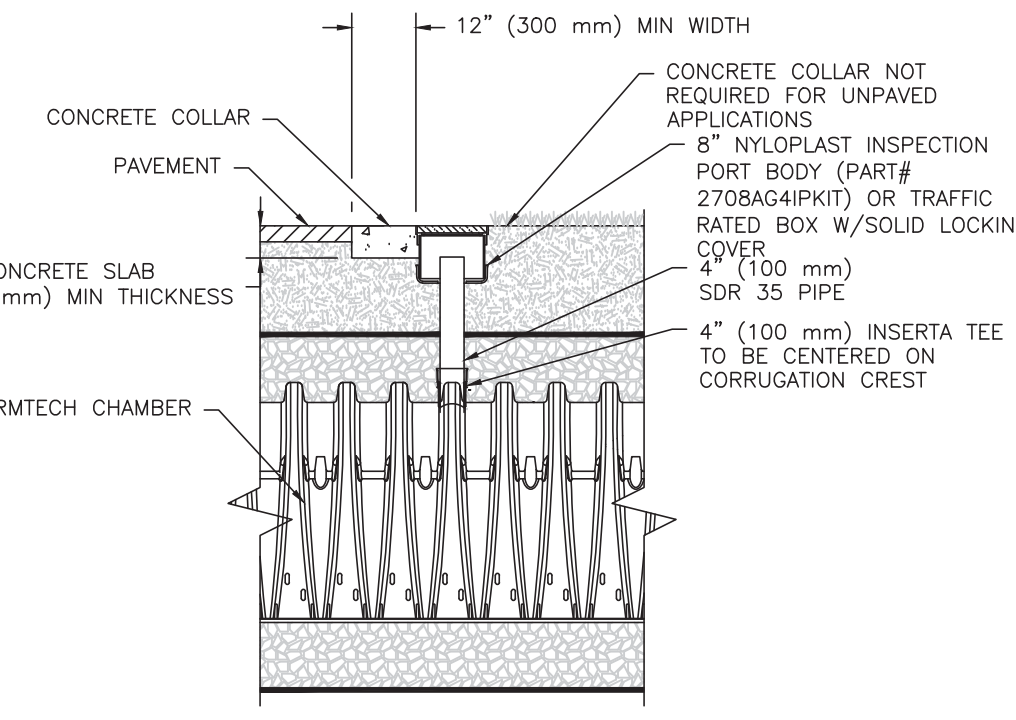
- NOTES:**
- CHAMBERS SHALL MEET THE REQUIREMENTS OF ASTM F2418, "STANDARD SPECIFICATION FOR POLYPROPYLENE (PP) CORRUGATED WALL STORMWATER COLLECTION CHAMBERS".
 - SC-740 CHAMBERS SHALL BE DESIGNED IN ACCORDANCE WITH ASTM F2787 "STANDARD PRACTICE FOR STRUCTURAL DESIGN OF THERMOPLASTIC CORRUGATED WALL STORMWATER COLLECTION CHAMBERS".
 - PERIMETER STONE MUST BE EXTENDED HORIZONTALLY TO THE EXCAVATION WALL FOR BOTH VERTICAL AND SLOPED EXCAVATION WALLS.
 - REQUIREMENTS FOR HANDLING AND INSTALLATION:
 - TO MAINTAIN THE WIDTH OF CHAMBERS DURING SHIPPING AND HANDLING, CHAMBERS SHALL HAVE INTEGRAL, INTERLOCKING STACKING LUGS.
 - TO ENSURE A SECURE JOINT DURING INSTALLATION AND BACKFILL, THE HEIGHT OF THE CHAMBER JOINT SHALL NOT BE LESS THAN 2".
 - TO ENSURE THE INTEGRITY OF THE ARCH SHAPE DURING INSTALLATION, a) THE ARCH STIFFNESS CONSTANT AS DEFINED IN SECTION 6.2.8 OF ASTM F2418 SHALL BE GREATER THAN OR EQUAL TO 550 LBS/FT², AND b) TO RESIST CHAMBER DEFORMATION DURING INSTALLATION AT ELEVATED TEMPERATURES (ABOVE 73° F / 23° C), CHAMBERS SHALL BE PRODUCED FROM REFLECTIVE GOLD OR YELLOW COLORS.

SC-740 - CROSS SECTION DETAIL
NOT TO SCALE

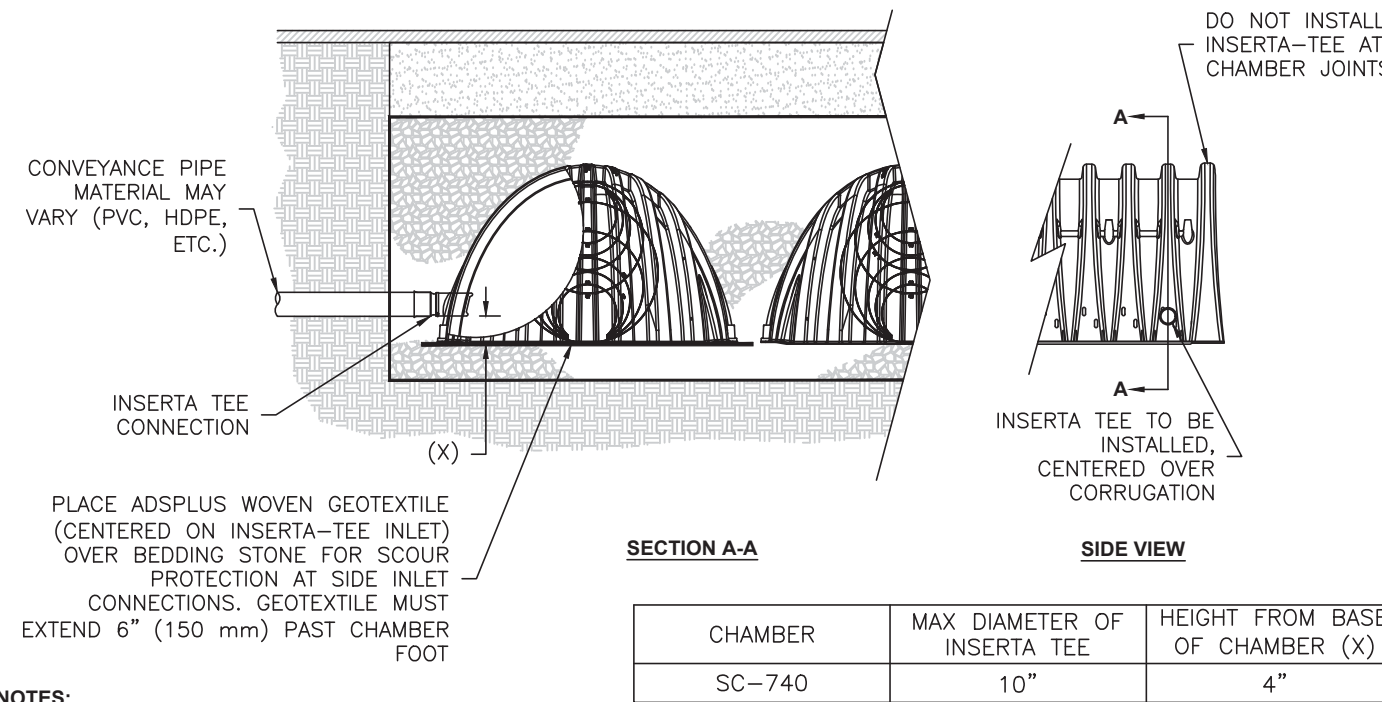
SC-740 STORMTECH CHAMBER SPECIFICATIONS

- CHAMBERS SHALL BE STORMTECH SC-740.
- CHAMBERS SHALL BE ARCH-SHAPED AND SHALL BE MANUFACTURED FROM VIRGIN, IMPACT-MODIFIED POLYPROPYLENE COPOLYMERS.
- CHAMBERS SHALL MEET THE REQUIREMENTS OF ASTM F2418, "STANDARD SPECIFICATION FOR POLYPROPYLENE (PP) CORRUGATED WALL STORMWATER COLLECTION CHAMBERS".
- CHAMBER ROWS SHALL PROVIDE CONTINUOUS, UNOBSTRUCTED INTERNAL SPACE WITH NO INTERNAL SUPPORTS THAT WOULD IMPEDE FLOW OR LIMIT ACCESS FOR INSPECTION.
- THE STRUCTURAL DESIGN OF THE CHAMBERS, THE STRUCTURAL BACKFILL, AND THE INSTALLATION REQUIREMENTS SHALL ENSURE THAT THE LOAD FACTORS SPECIFIED IN THE AASHTO LRFD BRIDGE DESIGN SPECIFICATIONS, SECTION 12.12, ARE MET FOR: 1) LONG-DURATION DEAD LOADS AND 2) SHORT-DURATION LIVE LOADS, BASED ON THE AASHTO DESIGN TRUCK WITH CONSIDERATION FOR IMPACT AND MULTIPLE VEHICLE PRESENCES.
- CHAMBERS SHALL BE DESIGNED, TESTED AND ALLOWABLE LOAD CONFIGURATIONS DETERMINED IN ACCORDANCE WITH ASTM F2787, "STANDARD PRACTICE FOR STRUCTURAL DESIGN OF THERMOPLASTIC CORRUGATED WALL STORMWATER COLLECTION CHAMBERS". LOAD CONFIGURATIONS SHALL INCLUDE: 1) INSTANTANEOUS (<1 MIN) AASHTO DESIGN TRUCK LIVE LOAD ON MINIMUM COVER 2) MAXIMUM PERMANENT (75-YR) COVER LOAD AND 3) ALLOWABLE COVER WITH PARKED (1-WEEK) AASHTO DESIGN TRUCK.
- REQUIREMENTS FOR HANDLING AND INSTALLATION:
 - TO MAINTAIN THE WIDTH OF CHAMBERS DURING SHIPPING AND HANDLING, CHAMBERS SHALL HAVE INTEGRAL, INTERLOCKING STACKING LUGS.
 - TO ENSURE A SECURE JOINT DURING INSTALLATION AND BACKFILL, THE HEIGHT OF THE CHAMBER JOINT SHALL NOT BE LESS THAN 2".
 - TO ENSURE THE INTEGRITY OF THE ARCH SHAPE DURING INSTALLATION, a) THE ARCH STIFFNESS CONSTANT SHALL BE GREATER THAN OR EQUAL TO 550 LBS/FT², THE ASG IS DEFINED IN SECTION 6.2.8 OF ASTM F2418. AND b) TO RESIST CHAMBER DEFORMATION DURING INSTALLATION AT ELEVATED TEMPERATURES (ABOVE 73° F / 23° C), CHAMBERS SHALL BE PRODUCED FROM REFLECTIVE GOLD OR YELLOW COLORS.
- ONLY CHAMBERS THAT ARE APPROVED BY THE SITE DESIGN ENGINEER WILL BE ALLOWED. UPON REQUEST BY THE SITE DESIGN ENGINEER OR OWNER, THE CHAMBER MANUFACTURER SHALL SUBMIT A STRUCTURAL EVALUATION FOR APPROVAL BEFORE DELIVERING CHAMBERS TO THE PROJECT SITE AS FOLLOWS:
 - THE STRUCTURAL EVALUATION SHALL BE SEALED BY A REGISTERED PROFESSIONAL ENGINEER.
 - THE STRUCTURAL EVALUATION SHALL DEMONSTRATE THAT THE SAFETY FACTORS ARE GREATER THAN OR EQUAL TO 1.95 FOR DEAD LOAD AND 1.75 FOR LIVE LOAD, THE MINIMUM REQUIRED BY ASTM F2787 AND BY SECTIONS 3 AND 12.12 OF THE AASHTO LRFD BRIDGE DESIGN SPECIFICATIONS FOR THERMOPLASTIC PIPE.
 - THE TEST DERIVED CREEP MODULUS AS SPECIFIED IN ASTM F2418 SHALL BE USED FOR PERMANENT DEAD LOAD DESIGN EXCEPT THAT IT SHALL BE THE 75-YEAR MODULUS USED FOR DESIGN.
- CHAMBERS AND END CAPS SHALL BE PRODUCED AT AN ISO 9001 CERTIFIED MANUFACTURING FACILITY.

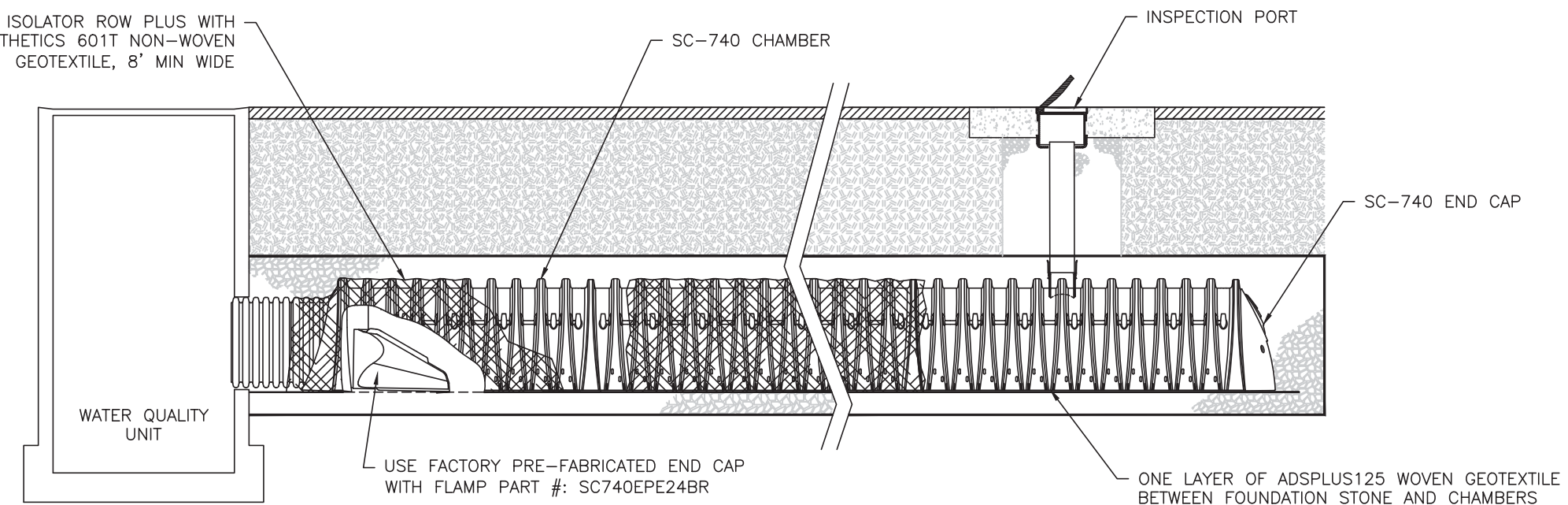
THIS CROSS SECTION DETAIL REPRESENTS MINIMUM REQUIREMENTS FOR INSTALLATION. PLEASE SEE THE LAYOUT SHEET(S) FOR PROJECT SPECIFIC REQUIREMENTS.



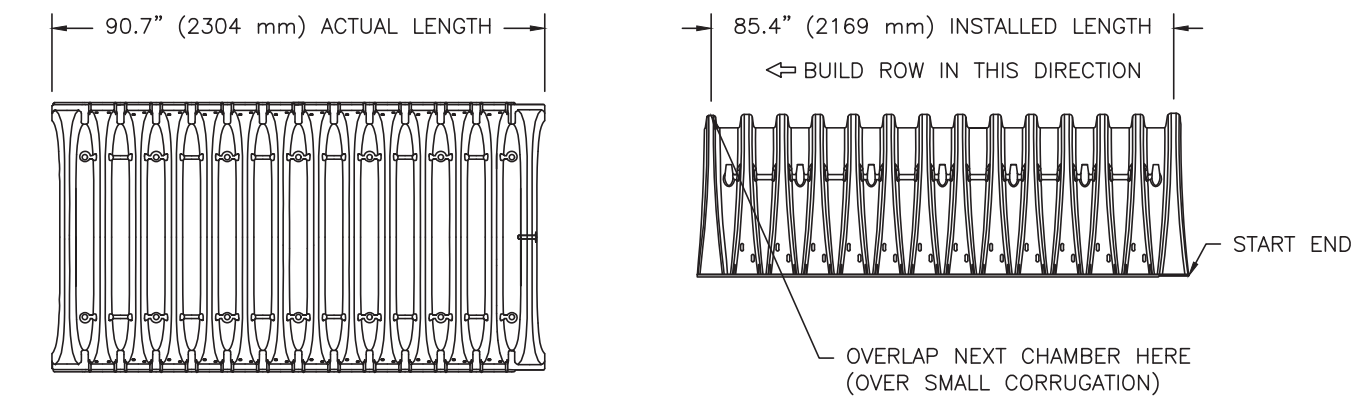
4" PVC INSPECTION PORT
NOT TO SCALE



INSERTA-TEE SIDE INLET DETAIL
NOT TO SCALE



SC-740 - ISOLATOR ROW PLUS DETAIL
NOT TO SCALE



NOMINAL CHAMBER SPECIFICATIONS
 SIZE (W X H X INSTALLED LENGTH) 51.0" X 30.0" X 85.4"
 CHAMBER STORAGE 45.9 CUBIC FEET
 MINIMUM INSTALLED STORAGE* 74.9 CUBIC FEET
 WEIGHT 75.0 lbs.

PART #	STUB	A	B	C
SC740EPE06T / SC740EPE06TPC	6"	10.9"	18.5"	---
SC740EPE08B / SC740EPE08BPC	8"	12.2"	---	0.5"
SC740EPE08T / SC740EPE08TPC	8"	12.2"	16.5"	---
SC740EPE10B / SC740EPE10BPC	10"	13.4"	---	0.6"
SC740EPE10T / SC740EPE10TPC	10"	13.4"	14.5"	---
SC740EPE12B / SC740EPE12BPC	12"	14.7"	---	0.7"
SC740EPE12T / SC740EPE12TPC	12"	14.7"	12.5"	---
SC740EPE15B / SC740EPE15BPC	15"	18.4"	---	1.2"
SC740EPE15T / SC740EPE15TPC	15"	18.4"	9.0"	---
SC740EPE18B / SC740EPE18BPC	18"	19.7"	---	1.3"
SC740EPE18T / SC740EPE18TPC	18"	19.7"	5.0"	---
SC740EPE24B* / SC740EPE24BPC*	24"	18.5"	---	1.6"
SC740EPE24BR* / SC740EPE24BRPC*	24"	18.5"	---	0.1"

ALL STUBS, EXCEPT FOR THE SC740EPE24B/SC740EPE24BR ARE PLACED AT BOTTOM OF END CAP SUCH THAT THE OUTSIDE DIAMETER OF THE STUB IS FLUSH WITH THE BOTTOM OF THE END CAP. FOR ADDITIONAL INFORMATION CONTACT STORMTECH AT 1-888-892-2694.

* FOR THE SC740EPE24B/SC740EPE24BR THE 24" STUB LIES BELOW THE BOTTOM OF THE END CAP APPROXIMATELY 1.75" (44 mm). BACKFILL MATERIAL SHOULD BE REMOVED FROM BELOW THE N-12 STUB SO THAT THE FITTING SITS LEVEL.

NOTE: ALL DIMENSIONS ARE NOMINAL

SC-740 - TECHNICAL SPECIFICATIONS
NOT TO SCALE

INSPECTION & MAINTENANCE

- STEP 1) INSPECT ISOLATOR ROW PLUS FOR SEDIMENT
- INSPECTION PORTS (IF PRESENT)
 - REMOVE/OPEN LID ON NYLOPLAST INLINE DRAIN
 - REMOVE AND CLEAN FLEXSTORM FILTER IF INSTALLED
 - USING A FLASHLIGHT AND STADIA ROD, MEASURE DEPTH OF SEDIMENT AND RECORD ON MAINTENANCE LOG
 - LOWER A CAMERA INTO ISOLATOR ROW PLUS FOR VISUAL INSPECTION OF SEDIMENT LEVELS (OPTIONAL)
 - IF SEDIMENT IS AT, OR ABOVE, 3" (80 mm) PROCEED TO STEP 2. IF NOT, PROCEED TO STEP 3.
 - ALL ISOLATOR PLUS ROWS
 - REMOVE COVER FROM STRUCTURE AT UPSTREAM END OF ISOLATOR ROW PLUS USING A FLASHLIGHT, INSPECT DOWN THE ISOLATOR ROW PLUS THROUGH OUTLET PIPE
 - MIRRORS ON POLES OR CAMERAS MAY BE USED TO AVOID A CONFINED SPACE ENTRY
 - FOLLOW OSHA REGULATIONS FOR CONFINED SPACE ENTRY IF ENTERING MANHOLE
 - IF SEDIMENT IS AT, OR ABOVE, 3" (80 mm) PROCEED TO STEP 2. IF NOT, PROCEED TO STEP 3.
- STEP 2) CLEAN OUT ISOLATOR ROW PLUS USING THE JETVAC PROCESS
- A FIXED CULVERT CLEANING NOZZLE WITH REAR FACING SPREAD OF 45" (1.1 m) OR MORE IS PREFERRED
 - APPLY MULTIPLE PASSES OF JETVAC UNTIL BACKFLUSH WATER IS CLEAN
 - VACUUM STRUCTURE SUMP AS REQUIRED
- STEP 3) REPLACE ALL COVERS, GRATES, FILTERS, AND LIDS; RECORD OBSERVATIONS AND ACTIONS.
- STEP 4) INSPECT AND CLEAN BASINS AND MANHOLES UPSTREAM OF THE STORMTECH SYSTEM.

NOTES

- INSPECT EVERY 6 MONTHS DURING THE FIRST YEAR OF OPERATION. ADJUST THE INSPECTION INTERVAL BASED ON PREVIOUS OBSERVATIONS OF SEDIMENT ACCUMULATION AND HIGH WATER ELEVATIONS.
- CONDUCT JETTING AND VACTORING ANNUALLY OR WHEN INSPECTION SHOWS THAT MAINTENANCE IS NECESSARY.



PROFESSIONAL ENGINEER FOR
ALLEN & MAJOR ASSOCIATES, INC.

REV	DATE	DESCRIPTION

APPLICANT/OWNER:
TMC HOLDINGS & DEVELOPMENT 2, LLC
24 WILLIAM WAY
BELLINGHAM, MA 02019

PROJECT:
25 FORGE PARKWAY
FRANKLIN, MA

PROJECT NO. 2712-02A DATE: 11-23
SCALE: AS SHOWN DWG. NAME: C-2712-02A

DESIGNED BY: SM/JRG CHECKED BY: BDI

PREPARED BY:

ALLEN & MAJOR ASSOCIATES, INC.
 civil engineering • land surveying
 environmental consulting • landscape architecture
 www.allenmajor.com
 100 COMMERCE WAY, SUITE 5
 WOBURN MA 01801
 TEL: (781) 935-6889
 FAX: (781) 935-2896

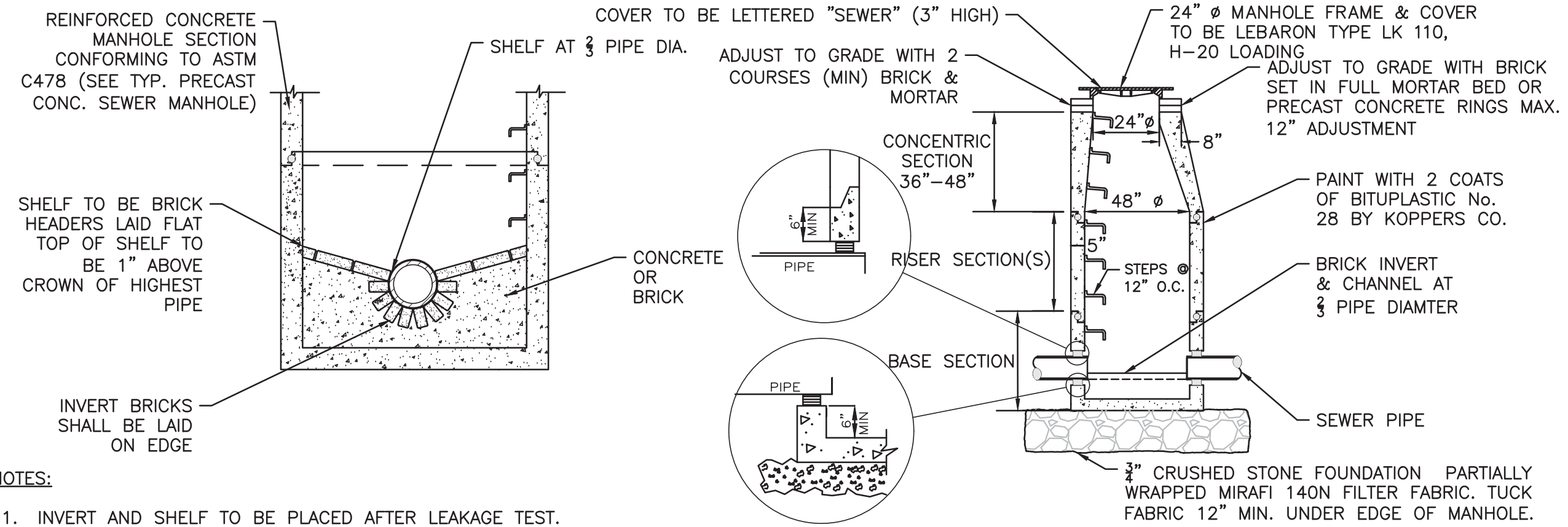
WOBURN, MA • LAKEVILLE, MA • MANCHESTER, NH

THIS DRAWING HAS BEEN PREPARED IN DIGITAL FORMAT. CLIENT/CUSTOMER REPRESENTATIVE OR CONSULTANTS MAY BE PROVIDED COPIES OF DRAWINGS AND SPECIFICATIONS FOR HIS/HER INFORMATION AND/OR SPECIFIC USE ON THIS PROJECT. DUE TO THE POTENTIAL THAT THE PROVIDED INFORMATION MAY BE MODIFIED UNINTENTIONALLY OR OTHERWISE, ALLEN & MAJOR ASSOCIATES, INC. MAY REMOVE ALL INDICATION OF THE DOCUMENT'S AUTHORSHIP ON THE DIGITAL MEDIA. PRINTED REPRESENTATIONS OR PORTABLE DOCUMENT FORMAT OF THE DRAWINGS AND SPECIFICATIONS ISSUED SHALL BE THE ONLY RECORD COPIES OF ALLEN & MAJOR ASSOCIATES, INC.'S WORK PRODUCT.

DRAWING TITLE: DETAILS SHEET No. C-504



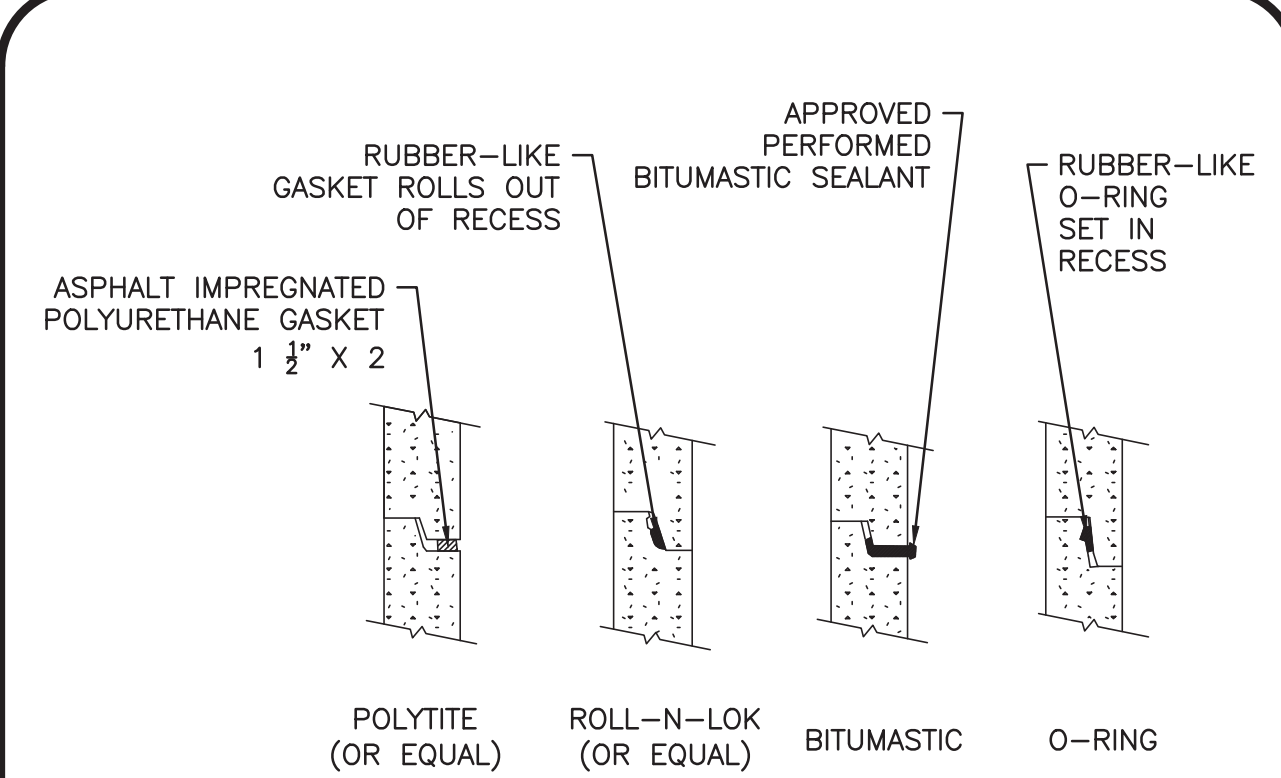
STORMTECH SC-740 CHAMBER SYSTEM
NOT TO SCALE



- NOTES:**
1. INVERT AND SHELF TO BE PLACED AFTER LEAKAGE TEST.
 2. MANHOLES SHALL HAVE A BRICK PAVED SHELF AND INVERT, CONSTRUCTED TO CONFORM TO THE SIZE OF PIPE AND FLOW. AT CHANGES IN DIRECTION, THE INVERTS SHALL BE LAID OUT IN CURVES OF THE LONGEST RADIUS POSSIBLE TANGENT TO THE CENTER LINE OF THE HIGHEST PIPE CROWN AND SLOPE TO DRAIN TOWARD THE FLOWING THROUGH CHANNEL. UNDERLAYMENT OF INVERT AND SHELF SHALL CONSIST OF CEMENT CONCRETE OR BRICK IN MORTAR.

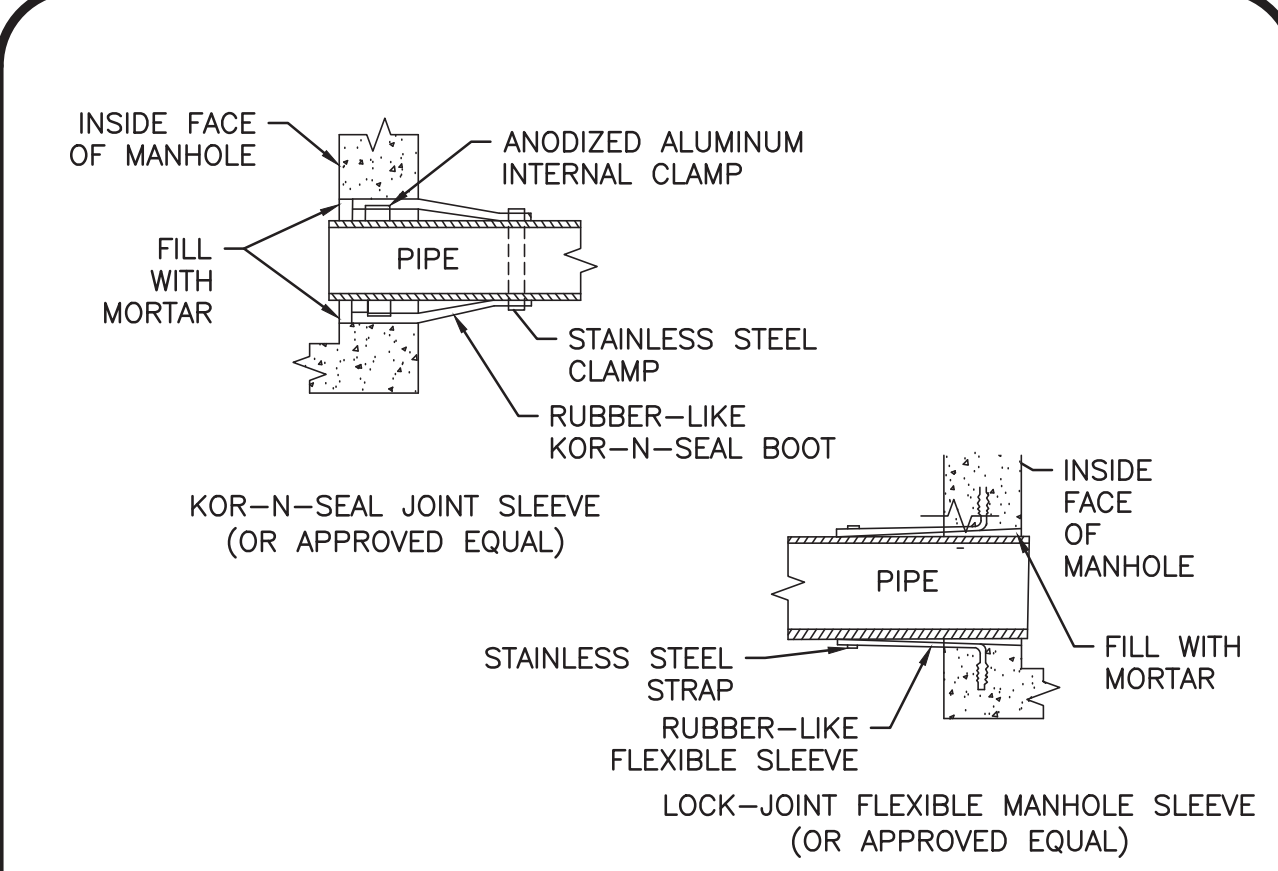
NOTE:
THE MANHOLE, INCLUDING ALL COMPONENT PARTS, SHALL HAVE ADEQUATE SPACE, STRENGTH AND LEAK PROOF QUALITIES CONSIDERED NECESSARY FOR THE INTENDED SERVICE SPACE REQUIREMENT AND CONFIGURATIONS SHALL BE AS SHOWN ON THE DRAWING. MANHOLES MAY BE AN ASSEMBLY OR PRECAST SECTIONS, WITH OR WITHOUT STEEL REINFORCEMENT, WITH ADEQUATE JOINTING OR CONCRETE CAST MONOLITHICALLY IN PLACE WITH OR WITHOUT REINFORCEMENT. IN ANY APPROVED MANHOLE, THE COMPLETE STRUCTURE SHALL BE OF SUCH MATERIAL AND QUALITY AS TO WITHSTAND LOADS OF 8 TONS (H-20 LOADING) WITHOUT FAILURE AND PREVENT LEAKAGE IN EXCESS OF ONE GALLON PER DAY PER VERTICAL FOOT OF MANHOLE.

PRECAST CONCRETE SEWER MANHOLE
NOT TO SCALE



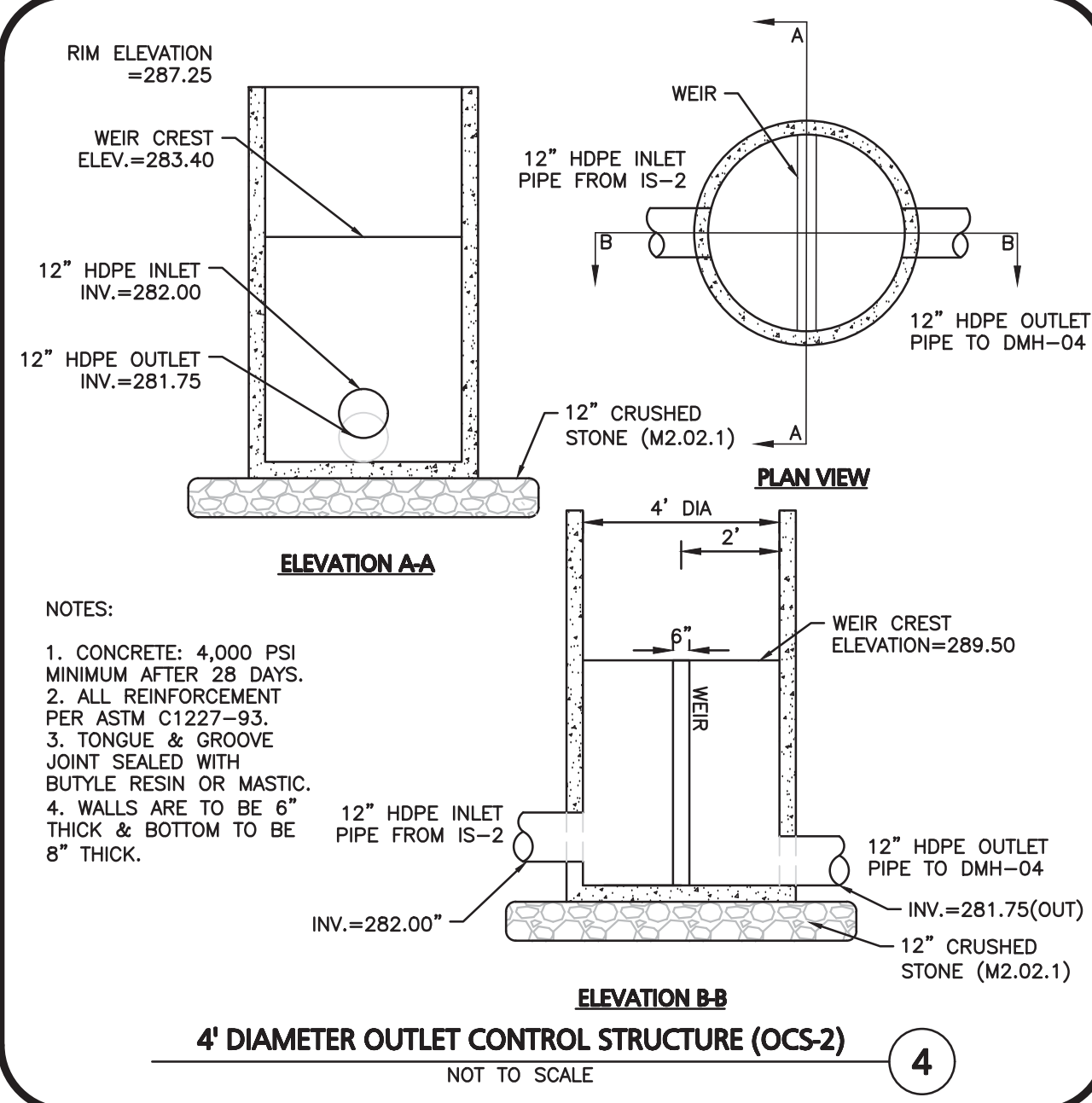
- NOTES:**
1. HORIZONTAL JOINTS BETWEEN SECTIONS OF PRECAST CONCRETE BARRELS SHALL BE OF A TYPE APPROVED BY THE ENGINEER, WHICH SHALL, IN GENERAL, DEPEND FOR WATER TIGHTNESS UPON AN ELASTOMERIC OR MASTIC-LIKE GASKET.
 2. ALL GASKETS AND SEALANTS SHALL BE INSTALLED IN ACCORDANCE WITH MANUFACTURER'S WRITTEN INSTRUCTIONS.
 3. FOR BITUMASTIC TYPE JOINTS THE AMOUNT OF SEALANT SHALL BE SUFFICIENT TO FILL AT LEAST 75% OF THE JOINT CAVITY.

SEWER MANHOLE JOINTING METHODS
NOT TO SCALE



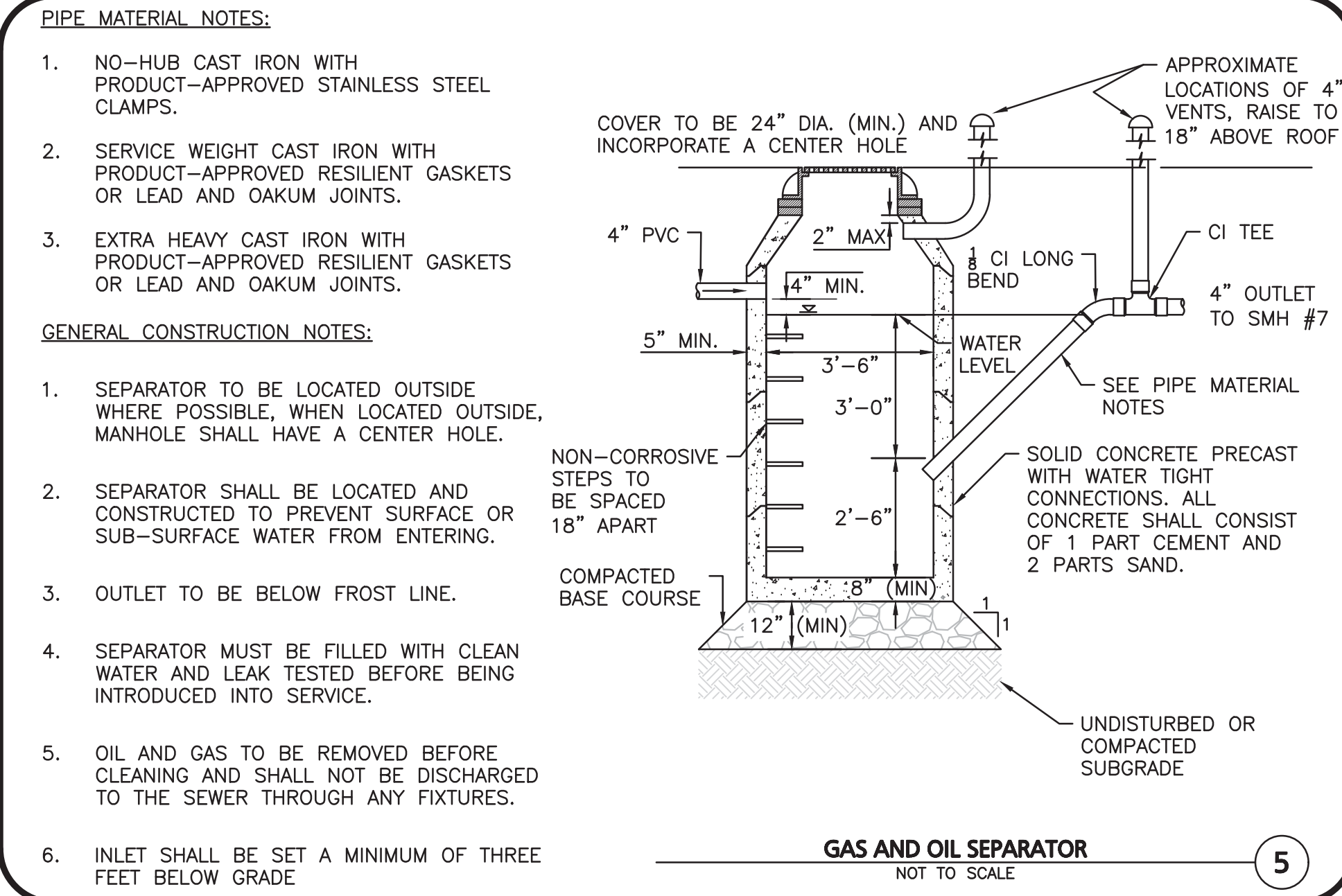
- NOTES:**
1. PIPE TO MANHOLE JOINTS SHALL BE ONLY AS APPROVED BY THE ENGINEER AND IN GENERAL, WILL DEPEND FOR WATER TIGHTNESS UPON ELASTOMETRIC SEALANT
 2. NON-SHRINKING MORTAR SHALL ONLY BE USED WHERE SPECIFICALLY APPROVED BY THE ENGINEER.

PIPE CONNECTION TO SEWER MANHOLE
NOT TO SCALE



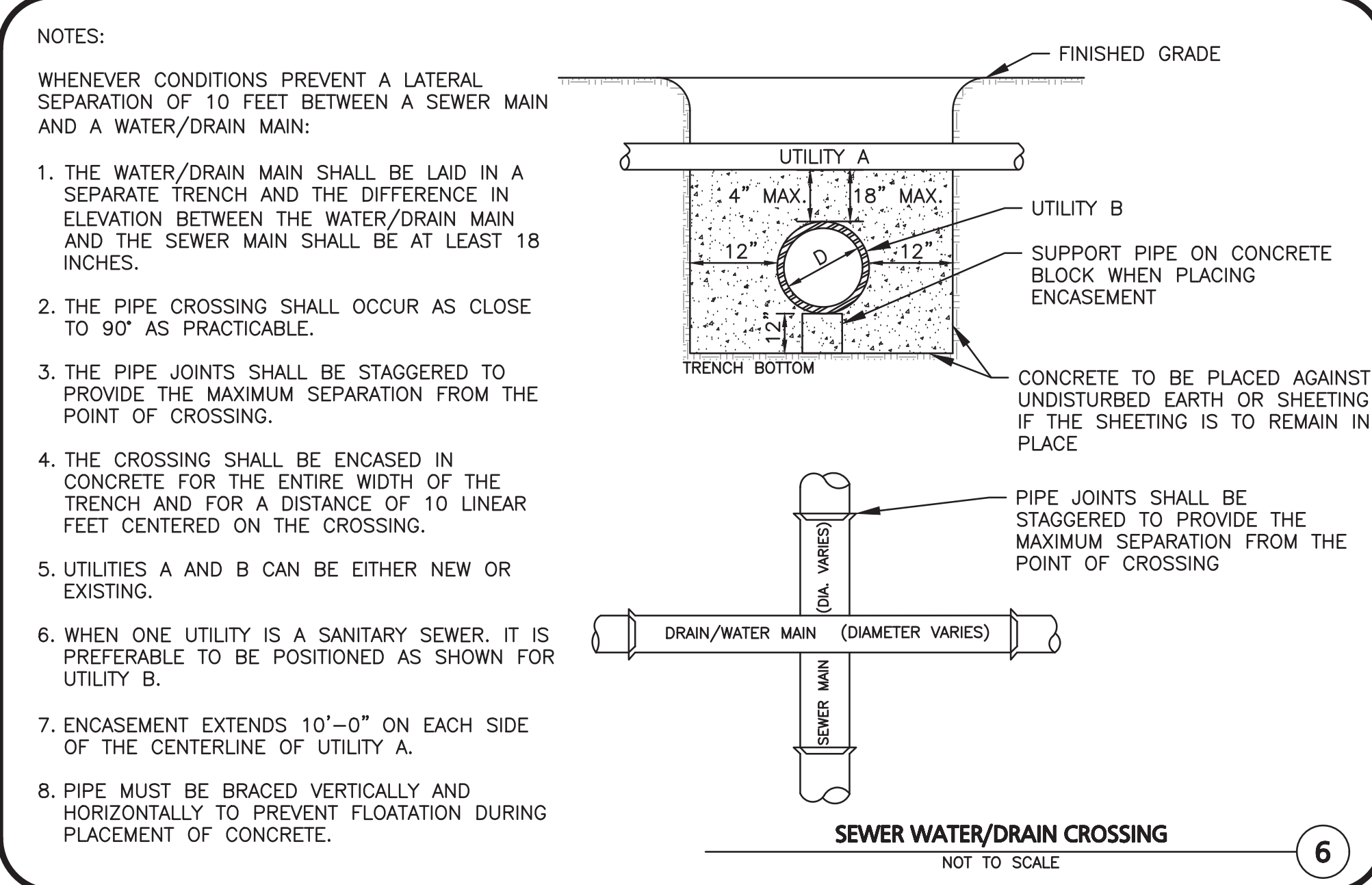
- NOTES:**
1. CONCRETE: 4,000 PSI MINIMUM AFTER 28 DAYS.
 2. ALL REINFORCEMENT PER ASTM C1227-93.
 3. TONGUE & GROOVE JOINT SEALED WITH BUTYLE RESIN OR MASTIC.
 4. WALLS ARE TO BE 6 inch THICK & BOTTOM TO BE 8 inch THICK.

4" DIAMETER OUTLET CONTROL STRUCTURE (OCS-2)
NOT TO SCALE



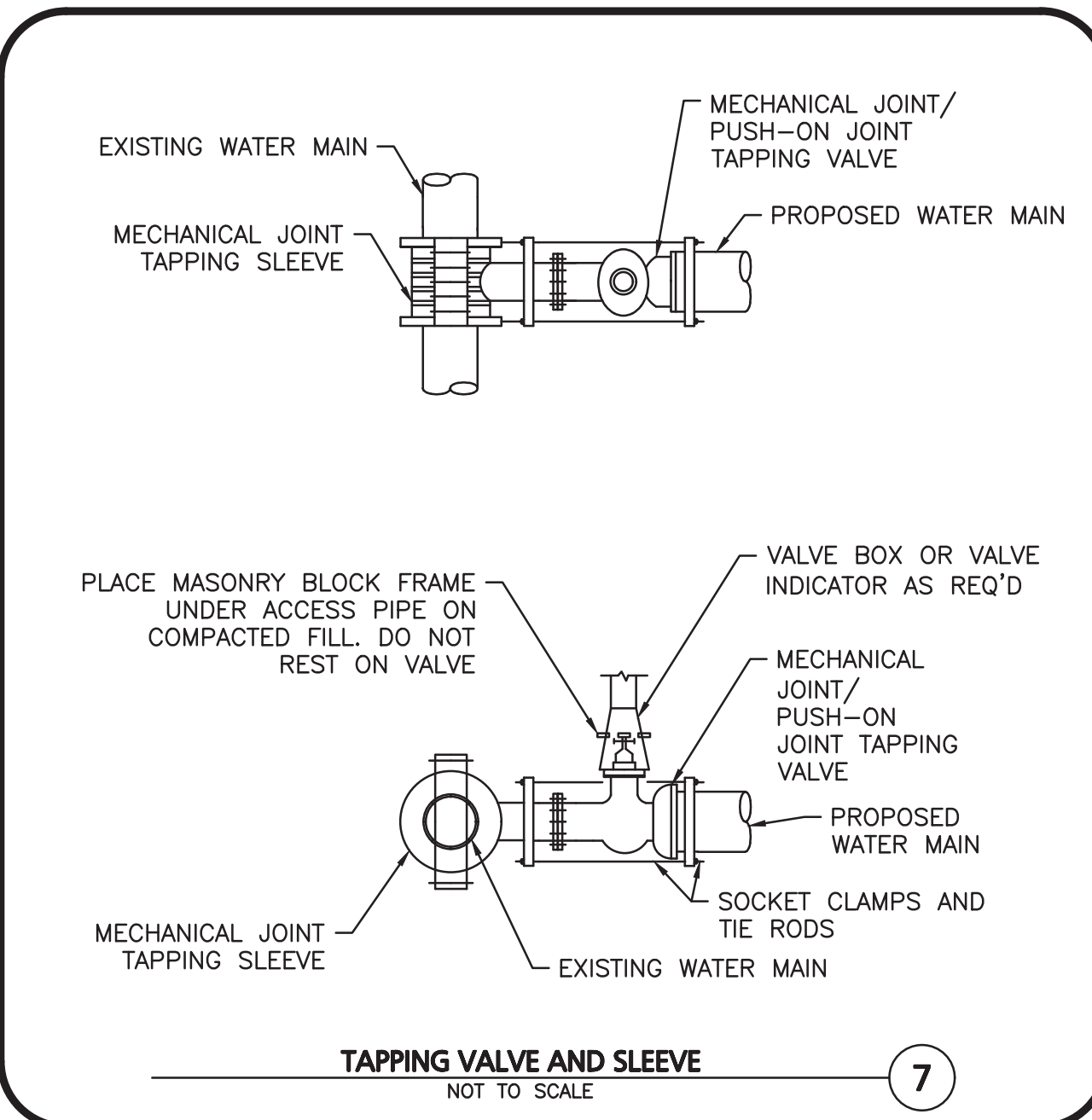
- PIPE MATERIAL NOTES:**
1. NO-HUB CAST IRON WITH PRODUCT-APPROVED STAINLESS STEEL CLAMPS.
 2. SERVICE WEIGHT CAST IRON WITH PRODUCT-APPROVED RESILIENT GASKETS OR LEAD AND OAKUM JOINTS.
 3. EXTRA HEAVY CAST IRON WITH PRODUCT-APPROVED RESILIENT GASKETS OR LEAD AND OAKUM JOINTS.
- GENERAL CONSTRUCTION NOTES:**
1. SEPARATOR TO BE LOCATED OUTSIDE WHERE POSSIBLE, WHEN LOCATED OUTSIDE, MANHOLE SHALL HAVE A CENTER HOLE.
 2. SEPARATOR SHALL BE LOCATED AND CONSTRUCTED TO PREVENT SURFACE OR SUB-SURFACE WATER FROM ENTERING.
 3. OUTLET TO BE BELOW FROST LINE.
 4. SEPARATOR MUST BE FILLED WITH CLEAN WATER AND LEAK TESTED BEFORE BEING INTRODUCED INTO SERVICE.
 5. OIL AND GAS TO BE REMOVED BEFORE CLEANING AND SHALL NOT BE DISCHARGED TO THE SEWER THROUGH ANY FIXTURES.
 6. INLET SHALL BE SET A MINIMUM OF THREE FEET BELOW GRADE

GAS AND OIL SEPARATOR
NOT TO SCALE



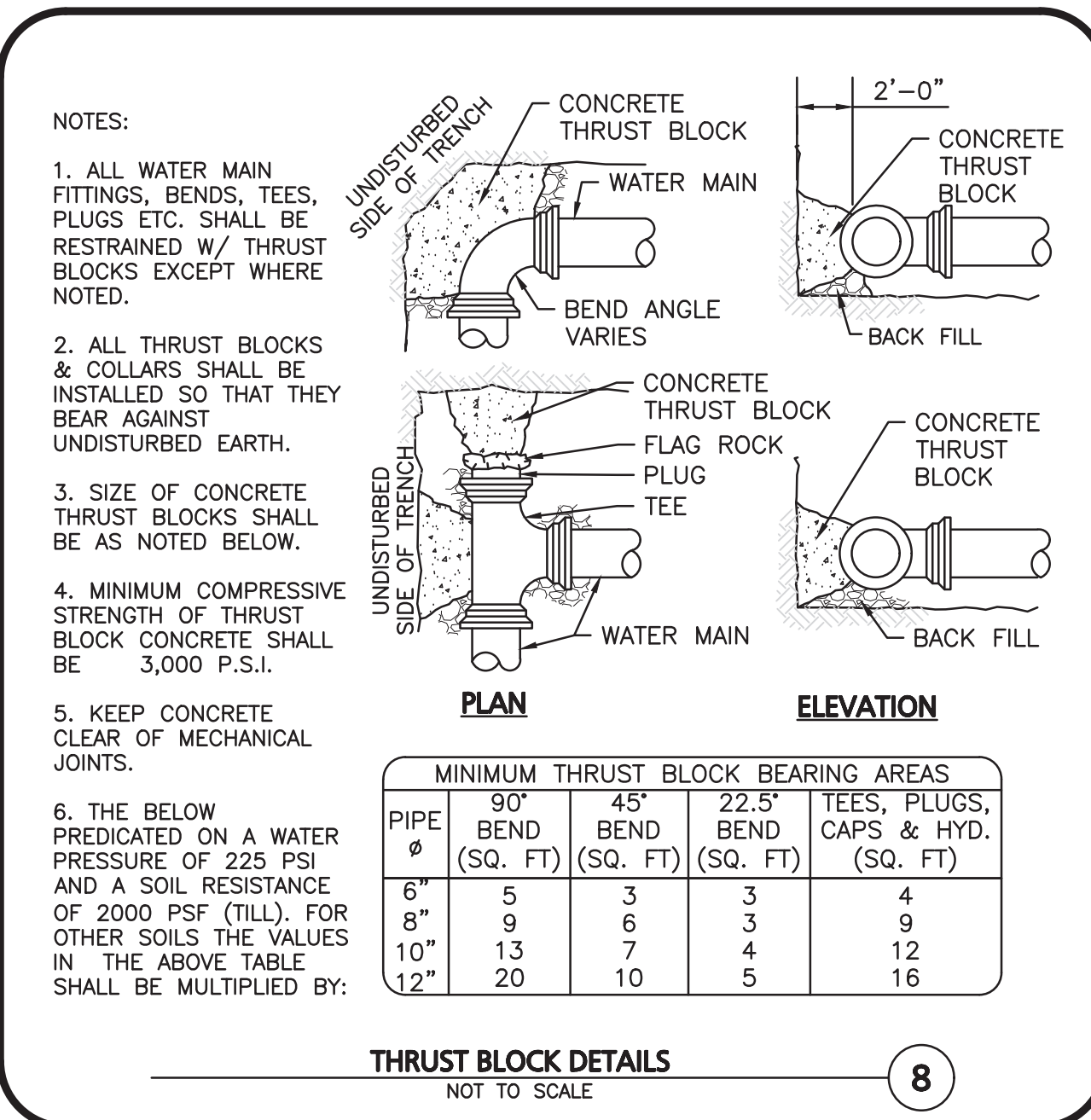
- NOTES:**
- WHENEVER CONDITIONS PREVENT A LATERAL SEPARATION OF 10 FEET BETWEEN A SEWER MAIN AND A WATER/DRAIN MAIN:
1. THE WATER/DRAIN MAIN SHALL BE LAID IN A SEPARATE TRENCH AND THE DIFFERENCE IN ELEVATION BETWEEN THE WATER/DRAIN MAIN AND THE SEWER MAIN SHALL BE AT LEAST 18 INCHES.
 2. THE PIPE CROSSING SHALL OCCUR AS CLOSE TO 90° AS PRACTICABLE.
 3. THE PIPE JOINTS SHALL BE STAGGERED TO PROVIDE THE MAXIMUM SEPARATION FROM THE POINT OF CROSSING.
 4. THE CROSSING SHALL BE ENCASED IN CONCRETE FOR THE ENTIRE WIDTH OF THE TRENCH AND FOR A DISTANCE OF 10 LINEAR FEET CENTERED ON THE CROSSING.
 5. UTILITIES A AND B CAN BE EITHER NEW OR EXISTING.
 6. WHEN ONE UTILITY IS A SANITARY SEWER, IT IS PREFERABLE TO BE POSITIONED AS SHOWN FOR UTILITY B.
 7. ENCASEMENT EXTENDS 10'-0" ON EACH SIDE OF THE CENTERLINE OF UTILITY A.
 8. PIPE MUST BE BRACED VERTICALLY AND HORIZONTALLY TO PREVENT FLOATATION DURING PLACEMENT OF CONCRETE.

SEWER WATER/DRAIN CROSSING
NOT TO SCALE



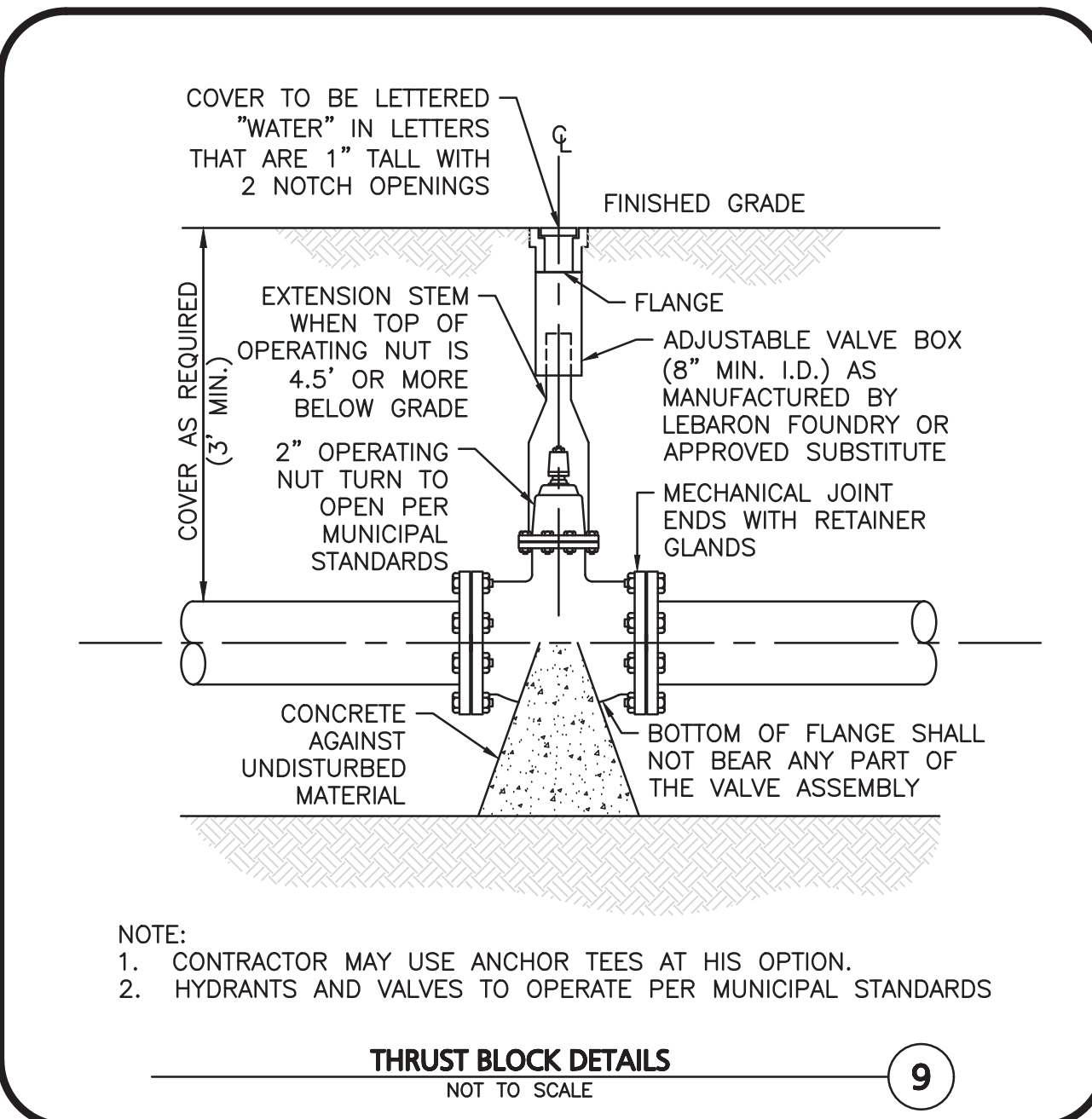
- NOTES:**
1. ALL WATER MAIN FITTINGS, BENDS, TEES, PLUGS ETC. SHALL BE RESTRAINED W/ THRUST BLOCKS EXCEPT WHERE NOTED.
 2. ALL THRUST BLOCKS & COLLARS SHALL BE INSTALLED SO THAT THEY BEAR AGAINST UNDISTURBED EARTH.
 3. SIZE OF CONCRETE THRUST BLOCKS SHALL BE AS NOTED BELOW.
 4. MINIMUM COMPRESSIVE STRENGTH OF THRUST BLOCK CONCRETE SHALL BE 3,000 P.S.I.
 5. KEEP CONCRETE CLEAR OF MECHANICAL JOINTS.
 6. THE BELOW PREDICATED ON A WATER PRESSURE OF 225 PSI AND A SOIL RESISTANCE OF 2000 PSF (TILL). FOR OTHER SOILS THE VALUES IN THE ABOVE TABLE SHALL BE MULTIPLIED BY:

TAPPING VALVE AND SLEEVE
NOT TO SCALE



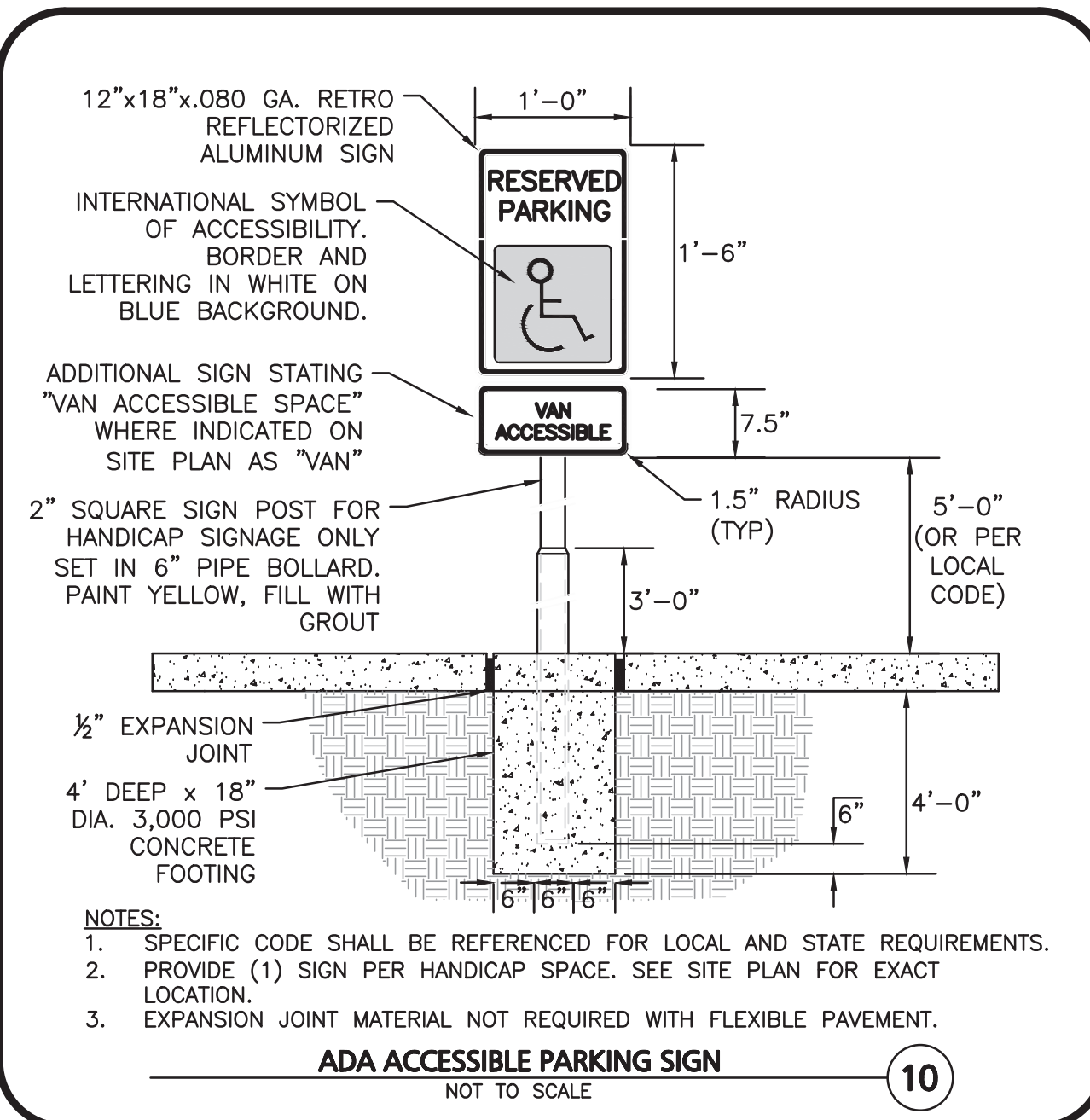
- NOTES:**
1. ALL WATER MAIN FITTINGS, BENDS, TEES, PLUGS ETC. SHALL BE RESTRAINED W/ THRUST BLOCKS EXCEPT WHERE NOTED.
 2. ALL THRUST BLOCKS & COLLARS SHALL BE INSTALLED SO THAT THEY BEAR AGAINST UNDISTURBED EARTH.
 3. SIZE OF CONCRETE THRUST BLOCKS SHALL BE AS NOTED BELOW.
 4. MINIMUM COMPRESSIVE STRENGTH OF THRUST BLOCK CONCRETE SHALL BE 3,000 P.S.I.
 5. KEEP CONCRETE CLEAR OF MECHANICAL JOINTS.
 6. THE BELOW PREDICATED ON A WATER PRESSURE OF 225 PSI AND A SOIL RESISTANCE OF 2000 PSF (TILL). FOR OTHER SOILS THE VALUES IN THE ABOVE TABLE SHALL BE MULTIPLIED BY:
- | PIPE DIA. | 90° BEND (SQ. FT) | 45° BEND (SQ. FT) | 22.5° BEND (SQ. FT) | TEES, PLUGS, CAPS & HYD. (SQ. FT) |
|-----------|-------------------|-------------------|---------------------|-----------------------------------|
| 6" | 5 | 3 | 3 | 4 |
| 8" | 9 | 6 | 3 | 9 |
| 10" | 13 | 7 | 4 | 12 |
| 12" | 20 | 10 | 5 | 16 |

THRUST BLOCK DETAILS
NOT TO SCALE



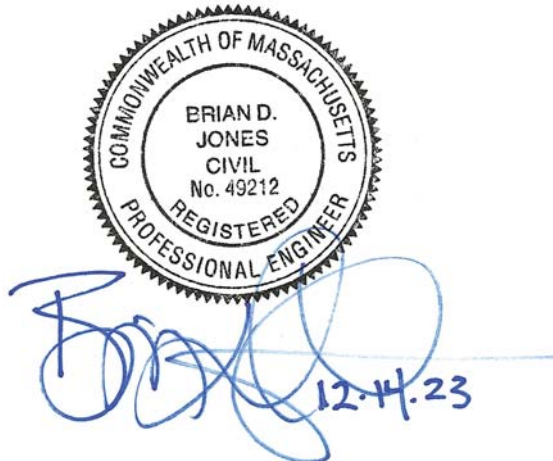
- NOTES:**
1. CONTRACTOR MAY USE ANCHOR TEES AT HIS OPTION.
 2. HYDRANTS AND VALVES TO OPERATE PER MUNICIPAL STANDARDS

THRUST BLOCK DETAILS
NOT TO SCALE



- NOTES:**
1. SPECIFIC CODE SHALL BE REFERENCED FOR LOCAL AND STATE REQUIREMENTS.
 2. PROVIDE (1) SIGN PER HANDICAP SPACE. SEE SITE PLAN FOR EXACT LOCATION.
 3. EXPANSION JOINT MATERIAL NOT REQUIRED WITH FLEXIBLE PAVEMENT.

ADA ACCESSIBLE PARKING SIGN
NOT TO SCALE



PROFESSIONAL ENGINEER FOR ALLEN & MAJOR ASSOCIATES, INC.

APPLICANT/OWNER:
TMC HOLDINGS & DEVELOPMENT 2, LLC
24 WILLIAM WAY
BELLINGHAM, MA 02019

PROJECT:
25 FORGE PARKWAY
FRANKLIN, MA

PROJECT NO. 2712-02A DATE: 11**23
SCALE: AS SHOWN DWG. NAME: C-2712-02A
DESIGNED BY: SM/JRG CHECKED BY: BDJ

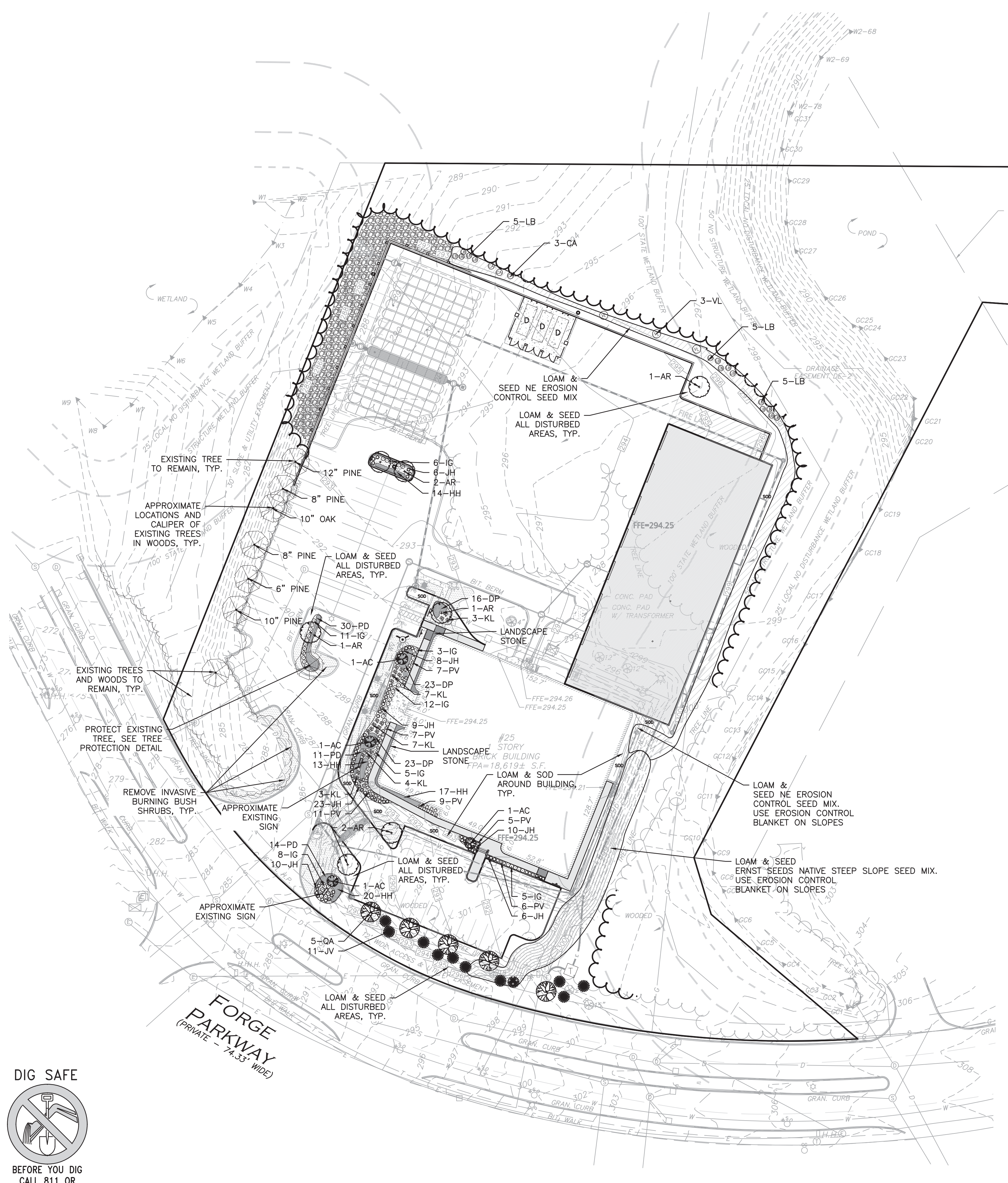
PREPARED BY:
ALLEN & MAJOR ASSOCIATES, INC.
civil engineering • land surveying
environmental consulting • landscape architecture
www.allenmajor.com
100 COMMERCE WAY, SUITE 5
WOBURN MA 01801
TEL: (781) 935-6889
FAX: (781) 935-2896

WOBURN, MA • LAKEVILLE, MA • MANCHESTER, NH
THIS DRAWING HAS BEEN PREPARED IN DIGITAL FORMAT. CLIENT/CUSTOMER REPRESENTATIVE OR CONSULTANTS MAY BE PROVIDED COPIES OF DRAWINGS AND SPECIFICATIONS FOR HIS/HER INFORMATION AND/OR SPECIFIC USE ON THIS PROJECT. DUE TO THE POTENTIAL THAT THE PROVIDED INFORMATION MAY BE MODIFIED UNINTENTIONALLY OR OTHERWISE, ALLEN & MAJOR ASSOCIATES, INC. MAY REMOVE ALL INDICATION OF THE DOCUMENT'S AUTHORSHIP ON THE DIGITAL MEDIA. PRINTED REPRESENTATIONS OR PORTABLE DOCUMENT FORMAT OF THE DRAWINGS AND SPECIFICATIONS ISSUED SHALL BE THE ONLY RECORD COPIES OF ALLEN & MAJOR ASSOCIATES, INC.'S WORK PRODUCT.

DRAWING TITLE: DETAILS SHEET No. C-505
Copyright © 2023 Allen & Major Associates, Inc. All Rights Reserved

R:\PROJECTS\2712-02A\CIVIL\DRAWINGS\CURRENT\C-2712-02A-DETAILS.DWG

R:\PROJECTS\2712-02A\CIVIL\DRAWINGS\CURRENT\1-2712-02A_LANDSCAPE.DWG



LEGEND

DECIDUOUS TREE	
EXISTING TREE	
FLOWERING TREE	
SHRUBS	
MULCH BED	
PERENNIALS/GROUNDCOVER	
EROSION CONTROL SEED MIX	

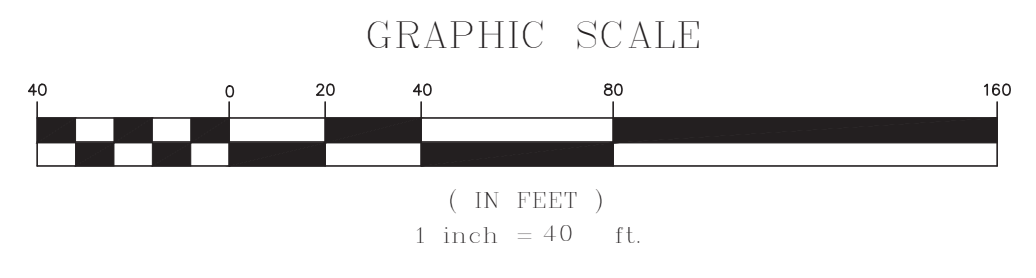
- ### GENERAL NOTES
1. THE LOCATIONS OF EXISTING UNDERGROUND UTILITIES ARE SHOWN IN AN APPROXIMATE WAY ONLY AND HAVE NOT BEEN INDEPENDENTLY VERIFIED BY THE OWNER OR ITS REPRESENTATIVE. THE CONTRACTOR SHALL DETERMINE THE EXACT LOCATION OF ALL EXISTING UTILITIES BEFORE COMMENCING WORK, AND AGREES TO BE FULLY RESPONSIBLE FOR ANY AND ALL DAMAGES WHICH MIGHT BE OCCASIONED BY THE CONTRACTOR'S FAILURE TO EXACTLY LOCATE AND PRESERVE ANY AND ALL UNDERGROUND UTILITIES.
 2. THE INFORMATION SHOWN ON THIS PLAN IS THE SOLE PROPERTY OF ALLEN & MAJOR ASSOCIATES, INC. IT'S INTENDED USE IS TO PROVIDE INFORMATION. ANY ALTERATION, MISUSE, OR RECALCULATION OF INFORMATION OR DATA WITHOUT THE EXPRESSED, WRITTEN CONSENT OF ALLEN & MAJOR ASSOCIATES, INC. IS STRICTLY PROHIBITED.
 3. ALL LANDSCAPED AREAS WITH SHRUBS, TREES, AND PERENNIALS TO HAVE 2 FEET MINIMUM DEPTH OF TOPSOIL. TWO FEET OF TOPSOIL AROUND TREES AND SHRUBS DOES NOT INCLUDE AMENDED PLANTING SOIL WITHIN TREE / SHRUB PIT FOR FULL DEPTH OF ROOTBALLS. SEE PLANTING DETAILS FOR PLANTING DEPTH AT SHRUBS AND TREES. ALL AREAS OF LOAM AND SEED TO HAVE 6" MINIMUM DEPTH OF TOPSOIL. TOPSOIL TO BE TESTED BY CONTRACTOR, AND APPROVED BY A&M PRIOR TO PURCHASE AND OR PLACEMENT. GENERAL, DEMOLITION, AND LANDSCAPE CONTRACTORS TO COORDINATE PROPER DEPTH OF EXISTING MATERIAL REMOVAL ACROSS SITE SO THAT 2 FEET MINIMUM AND 6" MINIMUM DEPTHS OF PROPOSED TOPSOIL NOTED ABOVE ARE MET. SEE TOPSOIL DETAIL.



PROFESSIONAL LANDSCAPE ARCHITECT FOR ALLEN & MAJOR ASSOCIATES, INC.

PLANTING SCHEDULE

DECIDUOUS AND EVERGREEN TREES						
KEY	QUANTITY	BOTANICAL NAME	COMMON NAME	MIN. SIZE	SPACING	COMMENTS
AR	7	ACER RUBRUM 'AUTUMN RADIANCE'	AUTUMN RADIANCE MAPLE	2.5"-3" CAL.	AS SHOWN	B&B
AC	4	AMELANCHIER CANADENSIS	SHADBLOW SERVICEBERRY	7'-8' HT.	AS SHOWN	B&B
JV	11	JUNIPERUS VIRGINIANA	EASTERN RED CEDAR	7'-8' HT.	AS SHOWN	B&B
QA	5	QUERCUS ALBA	WHITE OAK	2.5"-3" CAL.	AS SHOWN	B&B
SHRUBS						
IG	50	ILEX GLABRA	INKBERRY	#5	AS SHOWN	POT
JH	72	JUNIPERUS HORIZONTALIS 'PLUMOSA COMPACTA'	ANDORRA JUNIPER	#5	AS SHOWN	POT
KL	24	KALMIA LATIFOLIA 'ELF'	ELF MOUNTAIN LAUREL	#6	AS SHOWN	POT
LB	15	LINDERA BENZOIN	SPICEBUSH	#5	AS SHOWN	POT
CA	3	CORNUS ALTERNIFOLIA	ALTERNATE LEAF DOGWOOD	#10	AS SHOWN	POT
VL	3	VIBURNUM LENTAGO	NANNYBERRY VIBURNUM	#10	AS SHOWN	POT
PERENNIALS						
DP	62	DENNSTEADTIA PUCTILOBULA	HAY SCENTED FERN	#1	AS SHOWN	POT
HH	64	HELIOPSIS HELIANTHOIDES 'TUSCAN SUN'	FALSE SUNFLOWER TUSCAN SUN	#1	AS SHOWN	POT
PD	55	PHLOX DIVARICA 'BLUE MOON'	BLUE MOON WOODLAND PHLOX	#1	AS SHOWN	POT
PV	45	PANICUM VIRGATUM 'SHENANDOAH'	SHENANDOAH SWITCH GRASS	#3	AS SHOWN	POT



DIG SAFE

BEFORE YOU DIG
CALL 811 OR
1-888-DIG-SAFE
1-888-344-7233

REV	DATE	DESCRIPTION
7	12-14-23	ISSUED FOR SITE PLAN AMENDMENT
6	10-24-23	REVISED PER CONDITIONS OF APPROVAL
5	05-18-23	REVISION 5 PER REVIEW COMMENTS
4	05-11-23	REVISION 4 PER REVIEW COMMENTS
3	05-01-23	REVISION 3 PER REVIEW COMMENTS
2	04-14-23	REVISION 2 PER DPW COMMENTS
1	04-04-23	REVISION 1 PER PEER REVIEW

APPLICANT/OWNER:
TMC HOLDINGS & DEVELOPMENT 2, LLC
24 WILLIAM WAY
BELLINGHAM, MA 02019

PROJECT:
25 FORGE PARKWAY
FRANKLIN, MA

PROJECT NO. 2712-02A DATE: 02-21-23
SCALE: 1" = 40' DWG. NAME: L-2712-02A
DESIGNED BY: BCD CHECKED BY: BDI

PREPARED BY:

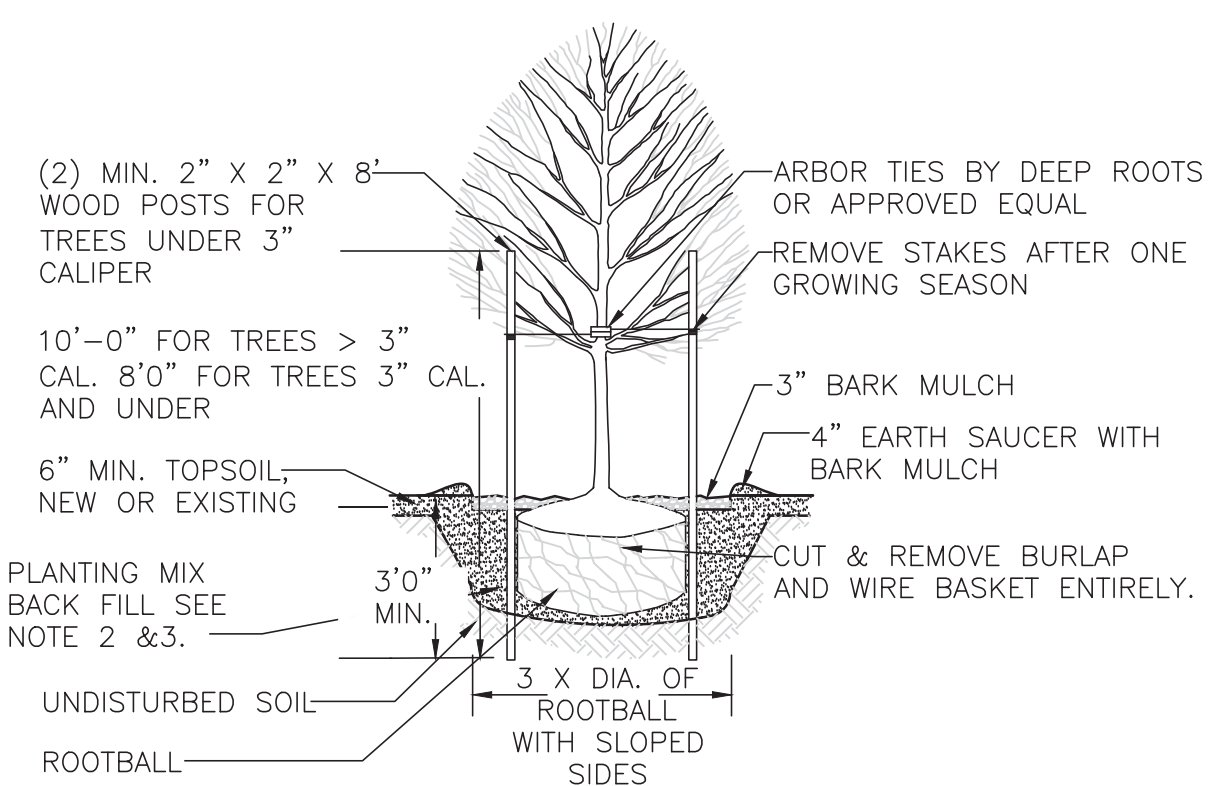
ALLEN & MAJOR ASSOCIATES, INC.
civil engineering • land surveying
environmental consulting • landscape architecture
www.allenmajor.com
100 COMMERCE WAY, SUITE 5
WOBURN MA 01801
TEL: (781) 935-6889
FAX: (781) 935-2896

WOBURN, MA • LAKEVILLE, MA • MANCHESTER, NH

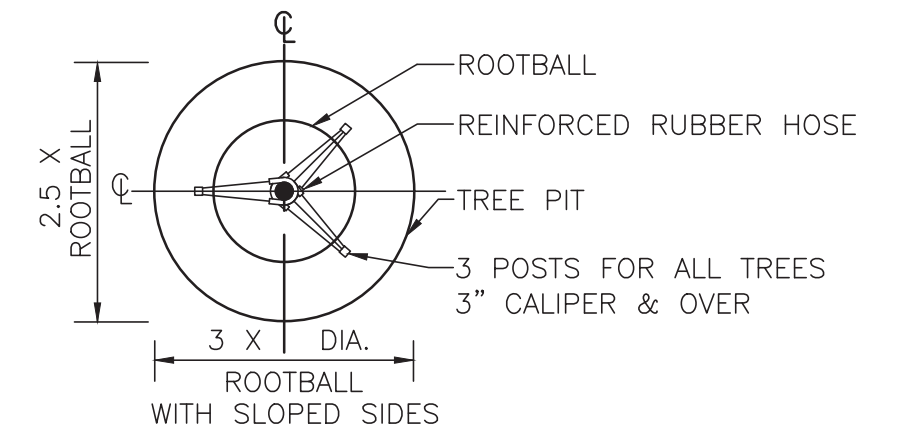
THIS DRAWING HAS BEEN PREPARED IN DIGITAL FORMAT. CLIENT/CLIENTS REPRESENTATIVE OR CONSULTANTS MAY BE PROVIDED COPIES OF DRAWINGS AND SPECIFICATIONS FOR HIS/HER INFORMATION AND/OR SPECIFIC USE ON THIS PROJECT. DUE TO THE POTENTIAL THAT THE PROVIDED INFORMATION MAY BE MODIFIED UNINTENTIONALLY OR OTHERWISE, ALLEN & MAJOR ASSOCIATES, INC. MAY REMOVE ALL INDICATION OF THE DOCUMENT'S AUTHORSHIP ON THE DIGITAL MEDIA. PRINTED REPRESENTATIONS OR PORTABLE DOCUMENT FORMAT OF THE DRAWINGS AND SPECIFICATIONS ISSUED SHALL BE THE ONLY RECORD COPIES OF ALLEN & MAJOR ASSOCIATES, INC.'S WORK PRODUCT.

DRAWING TITLE: **LANDSCAPE PLAN** SHEET NO. **L-101**

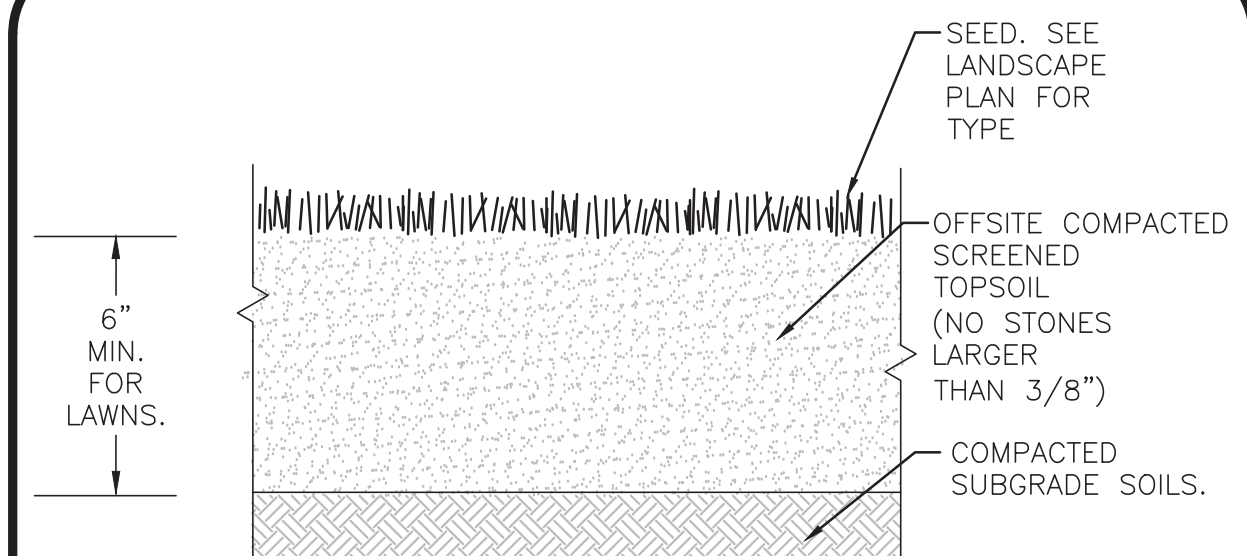
Copyright © 2023 Allen & Major Associates, Inc. All Rights Reserved.



- NOTES:**
- ALL TREES SHALL HAVE THE SAME RELATIONSHIP TO FINISH GRADE AFTER PLANTING AS THEY HAD AT THE ORIGINAL NURSERY SETTING. ROOT FLARE SHALL BE 2" ABOVE FINISH GRADE. REMOVE SOIL FROM TRUNK FLARE OF TREE TO DETERMINE ACTUAL ROOTBALL AREA.
 - BACKFILL WITH PLANTING MIX. PLANT MIX TO BE: 50% NATIVE TOPSOIL, 20% COMPOST (LEAVES & ORGANIC MATERIAL, NO ASH) 20% PEAT MOSS, 10% SAND.
 - ADD MYCORRHIZA SOIL ADDITIVES AND SLOW RELEASE FERTILIZER WHEN PLANT HOLES ARE 50% FILLED AND WATER THOROUGHLY AT COMPLETION.



DECIDUOUS TREE PLANTING DETAIL
NOT TO SCALE

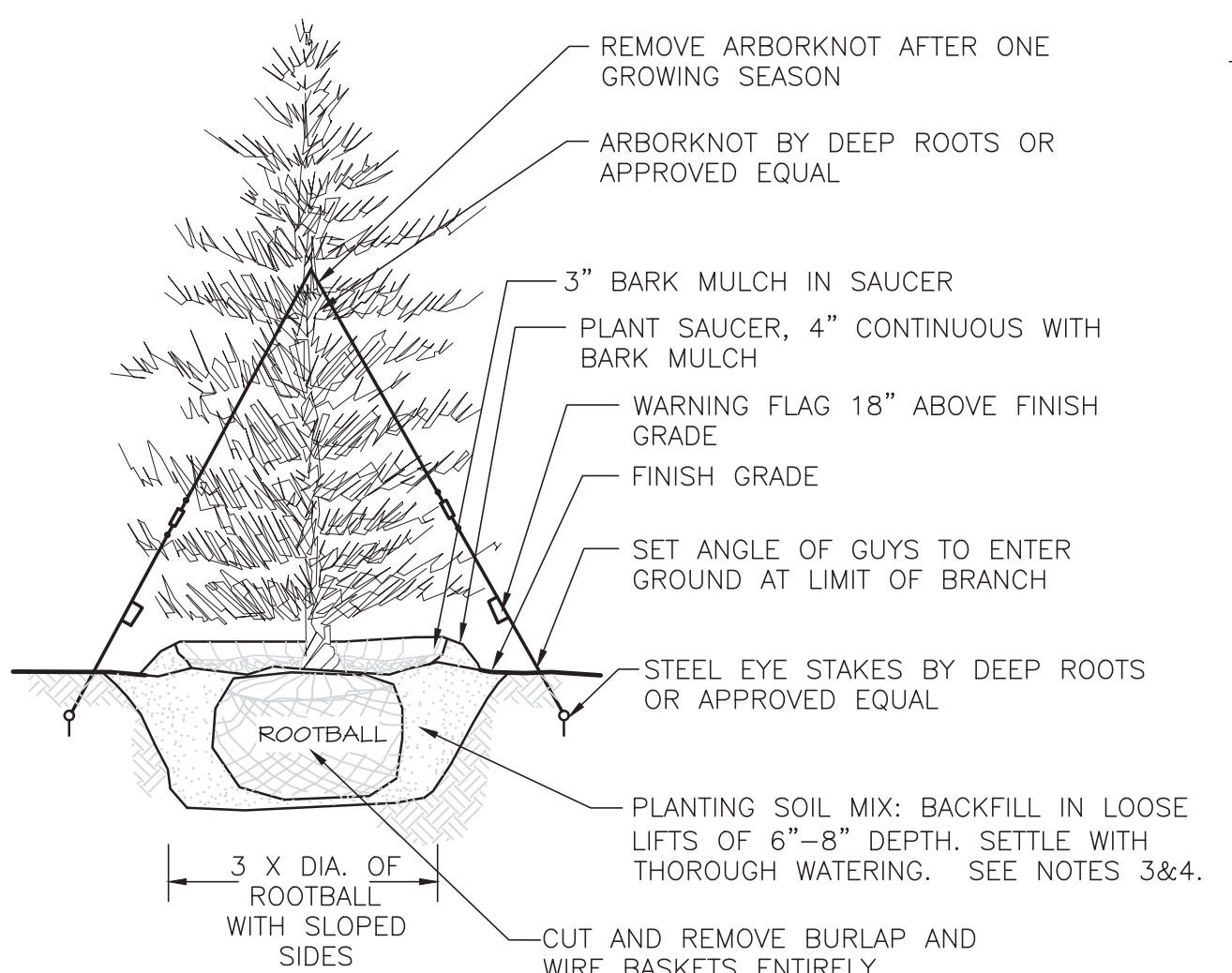


TEXTURE CLASS	% OF TOTAL WEIGHT
SAND	45% - 65%
SILT	15% - 35%
CLAY	5% - 20%

SIEVE	% PASSING
3/8"	100
No. 4	85-100
No. 40	60-85
No. 100	38-60
No. 200	10-35
20 um	LESS THAN 5%

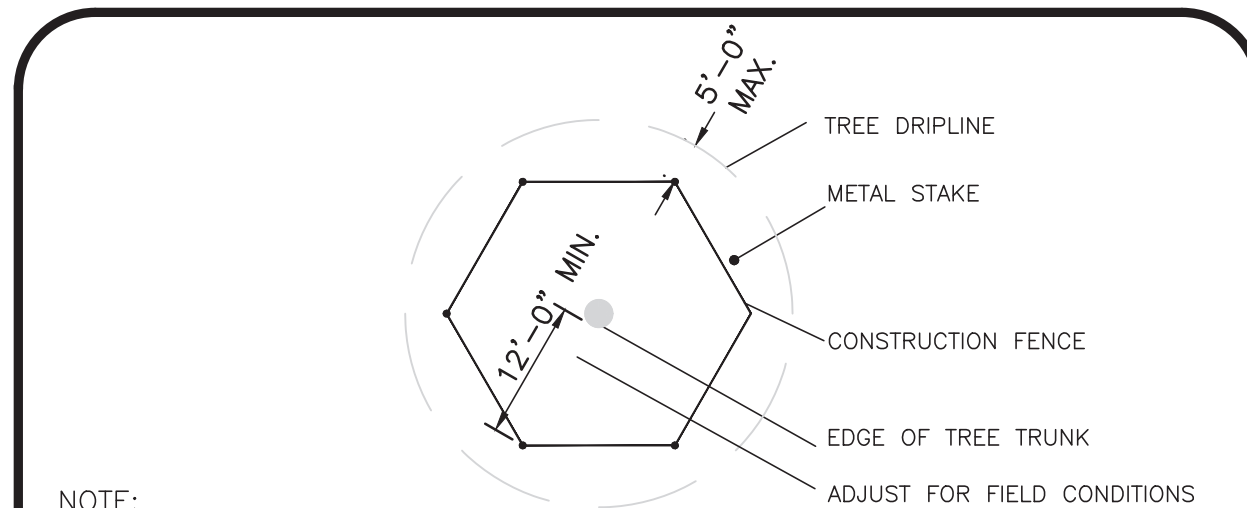
- NOTES:**
- TOP OF LOAM (TOPSOIL) IS FINISH GRADE.
 - ALL TOPSOIL (BOTH ONSITE AND OFFSITE SOURCES) SHALL BE COMPOSED OF A NATURAL, FERTILE, FRIABLE SOIL TYPICAL OF CULTIVATED TOPSOILS OF THE LOCALITY. OFFSITE SOIL SHALL BE SUITABLE FOR THE GERMINATION OF SEEDS AND SUPPORT OF VEGETATIVE GROWTH, WITH ADDITIVES, IF REQUIRED, TO ACHIEVE PARTICLE DISTRIBUTION AND ORGANIC CONTENT BELOW. TOPSOIL SHALL BE TAKEN FROM A WELL-DRAINED, ARIABLE SITE, FREE OF SUBSOIL, LARGE STONES, EARTH CLOUDS, STICKS, STUMPS, CLAY LUMPS, ROOTS, OTHER OBJECTIONABLE, EXTRANEIOUS MATTER OR DEBRIS NOR CONTAIN TOXIC SUBSTANCES.
 - THE CONTRACTOR SHALL PROVIDE THE OWNER / LANDSCAPE ARCHITECT WITH TOPSOIL TEST RESULTS (RECOMMEND UMASS AMHERST SOIL TESTING LAB) FOR APPROVAL PRIOR TO OBTAINING AND PLACING THE SOIL. IF ANY TOPSOIL IS PURCHASED OR PLACED PRIOR TO APPROVAL BY OWNER / LANDSCAPE ARCHITECT, IT IS AT CONTRACTORS RISK, AND IT CAN BE REMOVED AT NO ADDITIONAL COST TO THE OWNER. IF THE PLANTING SOIL (BOTH ONSITE AND OFFSITE SOURCES) DOES NOT FALL WITHIN THE REQUIRED SIEVE ANALYSIS, TEXTURAL CLASS, ORGANIC CONTENT, OR PH RANGE, IT SHALL BE ADJUSTED TO MEET THE SPECIFICATIONS THROUGH THE ADDITION OF SAND, COMPOST, LIMESTONE, OR ALUMINUM SULFATE TO BRING IT WITHIN THE SPECIFIED LIMITS AT NO ADDITIONAL COST TO THE OWNER.
 - TOPSOIL SHALL HAVE A PH VALUE BETWEEN 5.5 AND 6.5. TOPSOIL SHALL CONTAIN BETWEEN 4% AND 8% ORGANIC MATTER OF TOTAL DRY WEIGHT AND SHALL CONFORM TO THE FOLLOWING GRADATION AND TEXTURE CLASS ABOVE.

TOPSOIL FOR LAWN, TREES, SHRUBS, & PERENNIALS
NOT TO SCALE

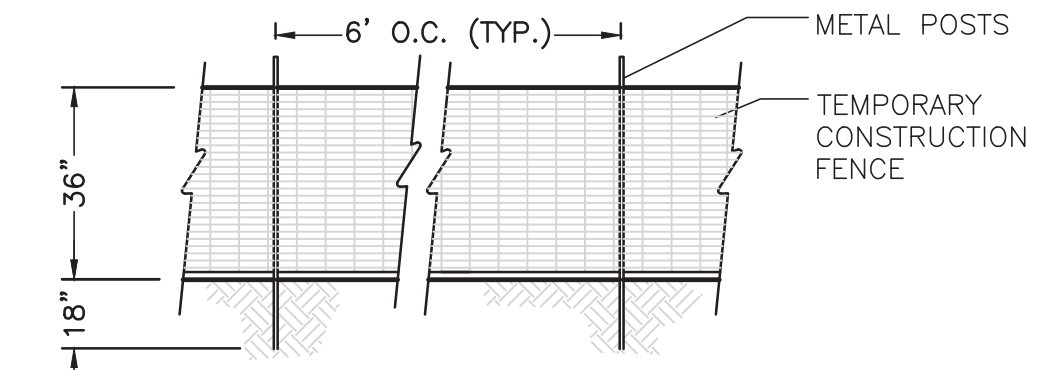


- NOTES:**
- TREES SHALL BEAR SAME RELATIONSHIP TO FINISH GRADE AS IT BORE TO NURSERY OR FIELD GRADE. ROOT FLARE SHALL BE 2" ABOVE FINISH GRADE. REMOVE SOIL FROM TRUNK FLARE OF TREE TO DETERMINE ACTUAL TOP OF ROOTBALL AREA.
 - INSTALL THREE GUYS PER TREE; EQUALLY SPACED AROUND BALL.
 - ATTACH GUYS AT 2/3 HEIGHT OF TREE.
 - BACKFILL WITH PLANTING MIX. PLANT MIX TO BE: 50% NATIVE TOPSOIL, 20% COMPOST (LEAVES & ORGANIC MATERIAL, NO ASH) 20% PEAT MOSS, 10% SAND.
 - ADD MYCORRHIZA SOIL ADDITIVES AND SLOW RELEASE FERTILIZER WHEN PLANT HOLES ARE 50% FILLED AND WATER THOROUGHLY AT COMPLETION.

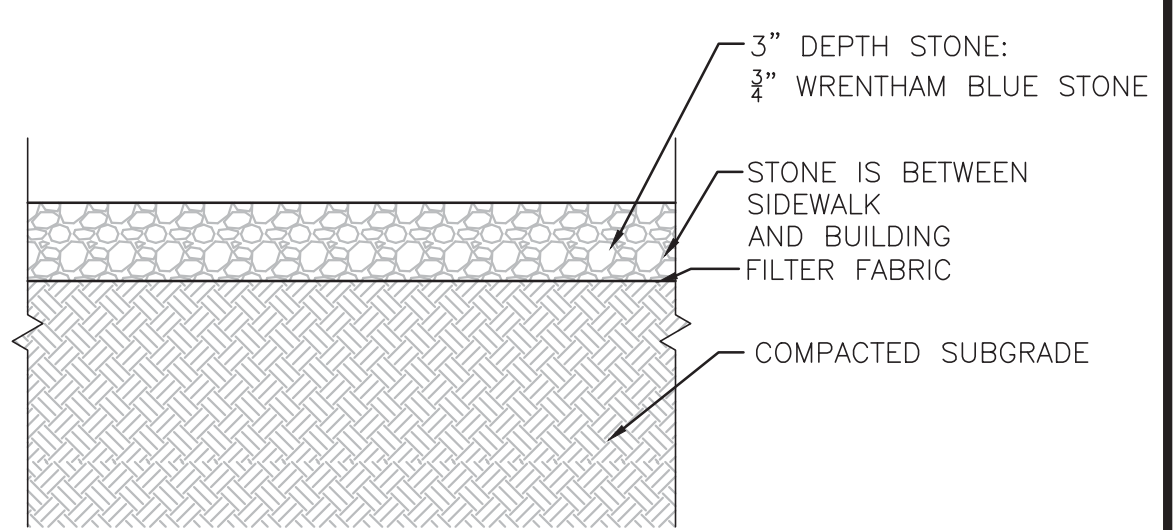
EVERGREEN TREE DETAIL
NOT TO SCALE



- NOTE:**
- CONSTRUCTION FENCE TO BE "VISUAL BARRIER FENCE" AS MANUFACTURED BY EXXON CHEMICAL COMPANY ATLANTA, GA; "KONTROL SAFETY FENCE" AS MANUFACTURED BY MIRAFI, CHARLOTTE, N.C. OR APPROVED EQUAL.
 - IF GROUPS OF TREES ARE TO BE PROTECTED, EXTEND FENCE AROUND PERIMETER TO CONFORM TO MINIMUM DIMENSIONS FOR TREE TRUNKS AND DRIPLINE.



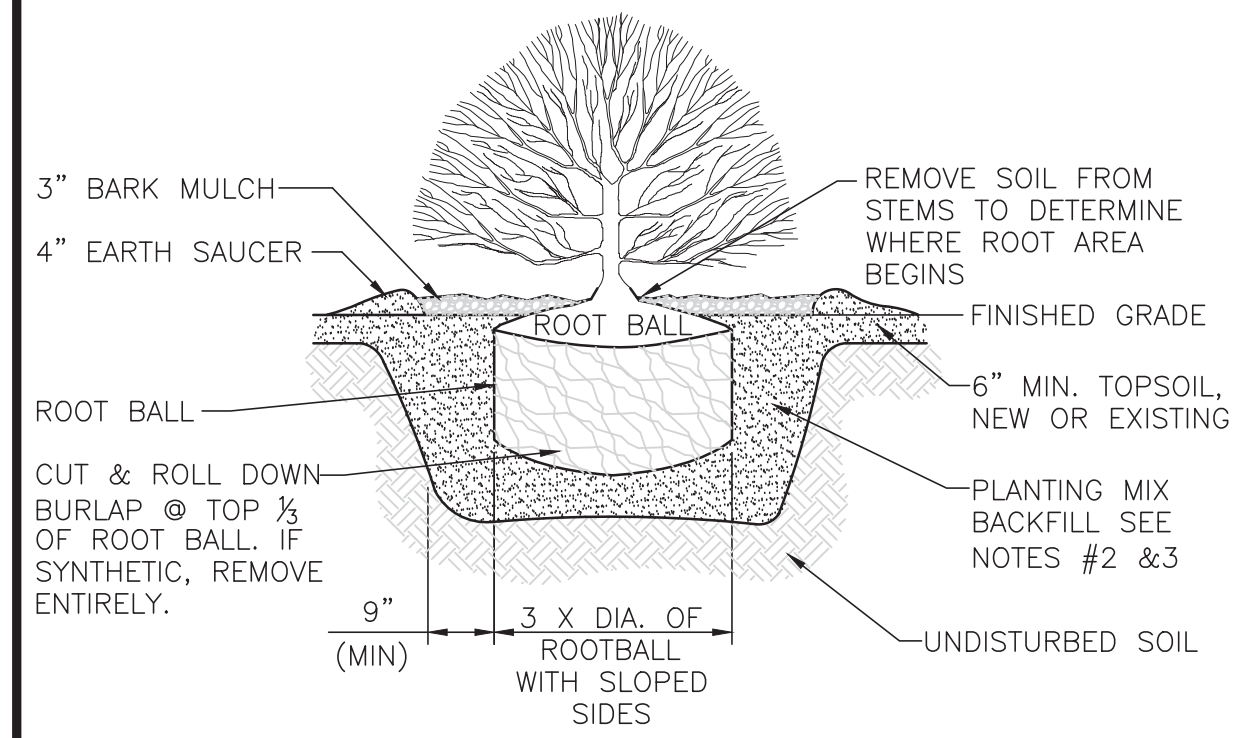
TEMP. CONST. FENCE / TREE PROTECTION
NOT TO SCALE



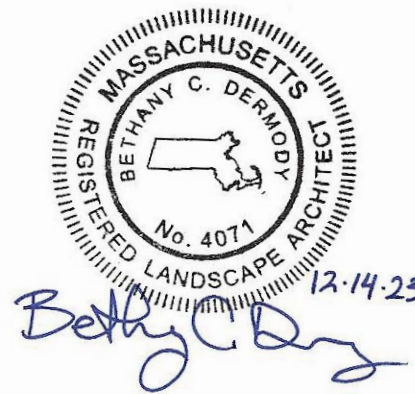
- NOTES:**
- CONTRACTOR TO SUBMIT SHOP DRAWINGS OR SAMPLE TO OWNER FOR APPROVAL. STONE TO BE 3/4" WRENTHAM BLUE STONE FROM METCAFF-PACELLA LANDSCAPE : 230 Grove St Franklin, MA 02038. PHONE: (508) 528-8860

LANDSCAPE STONE AROUND BUILDING DETAIL
NOT TO SCALE

- NOTES:**
- ALL SHRUBS SHALL HAVE THE SAME RELATIONSHIP TO FINISH GRADE AFTER PLANTING AS THEY HAD AT THE ORIGINAL NURSERY SETTING. SET SHRUB 1"-2" ABOVE FINISH GRADE.
 - BACKFILL WITH PLANTING MIX. PLANT MIX TO BE: 50% NATIVE TOPSOIL, 20% COMPOST (LEAVES & ORGANIC MATERIAL, NO ASH) 20% PEAT MOSS, 10% SAND.
 - ADD MYCORRHIZA SOIL ADDITIVES AND SLOW RELEASE FERTILIZER WHEN PLANT HOLES ARE 50% FILLED AND WATER THOROUGHLY AT COMPLETION.
 - SHRUB BEDS TO HAVE 24" MIN. OF CONTINUOUS PLANTING SOIL.



SHRUB PLANTING DETAIL
NOT TO SCALE



PROFESSIONAL LANDSCAPE ARCHITECT FOR ALLEN & MAJOR ASSOCIATES, INC.

REV	DATE	DESCRIPTION
7	12-14-23	ISSUED FOR SITE PLAN AMENDMENT
6	10-24-23	REVISED PER CONDITIONS OF APPROVAL
5	05-18-23	REVISION 5 PER REVIEW COMMENTS
4	05-11-23	REVISION 4 PER REVIEW COMMENTS
3	05-01-23	REVISION 3 PER REVIEW COMMENTS
2	04-14-23	REVISION 2 PER DPW COMMENTS
1	04-04-23	REVISION 1 PER PEER REVIEW

APPLICANT/OWNER:
TMC HOLDINGS & DEVELOPMENT 2, LLC
24 WILLIAM WAY
BELLINGHAM, MA 02019

PROJECT:
25 FORGE PARKWAY
FRANKLIN, MA

PROJECT NO.	2712-02A	DATE:	02-21-23
SCALE:	AS SHOWN	DWG. NAME:	L-2712-02A
DESIGNED BY:	BCD	CHECKED BY:	BDJ

PREPARED BY:

ALLEN & MAJOR ASSOCIATES, INC.
civil engineering • land surveying
environmental consulting • landscape architecture
www.allenmajor.com
100 COMMERCE WAY, SUITE 5
WOBURN MA 01801
TEL: (781) 935-6889
FAX: (781) 935-2896

THIS DRAWING HAS BEEN PREPARED IN DIGITAL FORMAT. CLIENT/CLIENTS REPRESENTATIVE OR CONSULTANTS MAY BE PROVIDED COPIES OF DRAWINGS AND SPECIFICATIONS FOR HIS/HER INFORMATION AND/OR SPECIFIC USE ON THIS PROJECT. DUE TO THE POTENTIAL THAT THE PROVIDED INFORMATION MAY BE MODIFIED UNINTENTIONALLY OR OTHERWISE, ALLEN & MAJOR ASSOCIATES, INC. MAY REMOVE ALL INDICATION OF THE DOCUMENT'S AUTHORSHIP ON THE DIGITAL MEDIA. PRINTED REPRESENTATIONS OR PORTABLE DOCUMENT FORMAT OF THE DRAWINGS AND SPECIFICATIONS ISSUED SHALL BE THE ONLY RECORD COPIES OF ALLEN & MAJOR ASSOCIATES, INC.'S WORK PRODUCT.

DRAWING TITLE: **LANDSCAPE NOTES & DETAILS** SHEET No. **L-501**

LOAM AND SOD NOTES:

- CONTRACTOR SHALL SOD AREAS NOTED ON THE PLANS OR AT ANY AREA DISTURBED BY CONSTRUCTION NOT NOTED TO BE ANOTHER MATERIAL.
- SOD IS TO BE A BLEND OF FOUR TO FIVE CURRENT AND IMPROVED HYBRID BLUEGRASS AND FESCUE MIXES APPROPRIATE FOR BOTH SEMI-SHADED AND AREAS OF SUN. HYBRIDS MAY INCLUDE: BLACKSTONE KENTUCKY BLUEGRASS, AWARD KENTUCKY BLUEGRASS, CHALLENGER KENTUCKY BLUEGRASS, BLACKBURG II KENTUCKY BLUEGRASS OR COMPARABLE AND EQUAL BLUEGRASS HYBRIDS.
- SOD SHALL BE HIGH QUALITY, NURSERY GROWN ON CULTIVATED MINERAL AGRICULTURAL SOILS. SOD SHALL BE MOIST AND MACHINE CUT AT A UNIFORM SOIL THICKNESS OF AT LEAST 5/8" AT TIME OF CUTTING. MEASUREMENT FOR THICKNESS SHALL INCLUDE TOP GROWTH AND THATCH. SOD SHALL BE FREE OF DISEASES, WEEDS, BARE SPOTS, OR INSECTS.
- SODDING TO BE COMPLETED "IN SEASON" BETWEEN APRIL 1 TO JUNE 15 OR AUGUST 15 TO OCTOBER 1, EXCEPT FOR RE-SODDING OF BARE SPOTS. IF UNABLE TO SOD WITHIN THESE TIMEFRAMES, CONTRACTOR TO INSTALL EROSION CONTROL MATS ON ALL SLOPES 3:1 AND OVER, HYDROSEED ALL EXPOSED AREAS, ADD SOIL STABILIZER "FLEX TERRA HP-FGM" AS MANUFACTURED BY "PROFILE" TO HYDROSEED (AT RATE OF 3,000 LBS PER ACRE). CONTRACTOR TO COMPLETE ALL ABOVE "OUT OF SEASON" REQUIREMENTS AND THEN ALSO BE RESPONSIBLE FOR RE-GRADING AND RE-SODDING ALL DISTURBED, ERODED, OR BARE SPOTS WITHIN NEXT CLOSEST PLANTING SEASON IN FALL OR SPRING.
- COMMERCIAL FERTILIZER SHALL BE APPLIED AT THE RATE OF 25 POUNDS PER 1000 SQ. FT. OR AS RECOMMENDED BY THE TESTING AGENCY. LIME TO BE SPREAD AT THE RATE OF 100 POUNDS PER 1000 SQ. FT OR AS RECOMMENDED BY THE TESTING AGENCY. COMMERCIAL FERTILIZER SHALL BE A COMPLETE FERTILIZER CONTAINING AT LEAST 50% OF THE NITROGEN OF WHICH IS DERIVED FROM NATURAL ORGANIC SOURCES OF UREAFORM. IT SHALL CONTAIN THE FOLLOWING PERCENTAGES BY WEIGHT: NITROGEN (N) 10% PHOSPHORUS (P) 6%, POTASH (K) 4%. LIME SHALL BE AN APPROVED AGRICULTURAL LIMESTONE CONTAINING NOT LESS THAN 85% OF TOTAL CARBONATES. LIMESTONE SHALL BE GROUND TO SUCH FINENESS THAT 50% WILL PASS A 100 MESH SIEVE AND 90% WILL PASS THROUGH A 20 MESH SIEVE.
- CONTRACTOR RESPONSIBLE FOR WATERING, MOWING, AND RE-SODDING OF LAWN BARE SPOTS UNTIL A UNIFORM, HEALTHY STAND OF GRASS IS ESTABLISHED AND ACCEPTED.
- IF PROPOSED IRRIGATION SYSTEM IS NOT OPERATIONAL, LANDSCAPE CONTRACTOR RESPONSIBLE TO WATER WITH TEMPORARY IRRIGATION OR WATER TRUCKS UNTIL IRRIGATION SYSTEM IS OPERATIONAL.

SEED MIX:

NEW ENGLAND WETLAND PLANTS
820 WEST STREET, AMHERST, MA 01002
PHONE: 413-548-8000 FAX 413-549-4000
EMAIL: INFO@NEWP.COM WEB ADDRESS: WWW.NEWP.COM

NEW ENGLAND EROSION CONTROL/RESTORATION MIX FOR DRY SITES

BOTANICAL NAME	COMMON NAME	WETLAND INDICATOR
ELYMUS CANADENSIS	CANADA WILD RYE	FACU+
FESTUCA RUBRA	RED FESCUE	FACU
LOLIUM MULTIFLORUM	ANNUAL RYEGRASS	
LOLIUM PERENNE	PERENNIAL RYEGRASS	
PANICUM VIRGATUM	SWITCH GRASS	FAC
SORGHASTRUM NUTANS	INDIAN GRASS	UPL
SCHIZACHYRIUM SCOPARIUM	LITTLE BLUESTEM	FACU
AGROSTIS PERENNANS	UPLAND BENTGRASS	FACU

THE NEW ENGLAND EROSION CONTROL/RESTORATION MIX FOR DRY SITES PROVIDES AN APPROPRIATE SELECTION OF NATIVE AND NATURALIZED GRASSES TO ENSURE THAT DRY AND RECENTLY DISTURBED SITES WILL BE QUICKLY REVEGETATED AND THE SOIL SURFACE STABILIZED. IT IS AN APPROPRIATE SEED MIX FOR ROAD CUTS, PIPELINES, STEEPER SLOPES, AND AREAS REQUIRING QUICK COVER DURING THE ECOLOGICAL RESTORATION PROCESS. THE MIX MAY BE APPLIED BY HYDRO-SEEDING, BY MECHANICAL SPREADER, OR ON SMALL SITES IT CAN BE SPREAD BY HAND. LIGHTLY RAKE, OR ROLL TO ENSURE PROPER SOIL-SEED CONTACT. BEST RESULTS ARE OBTAINED WITH A SPRING OR LATE SUMMER SEEDING. LATE SPRING THROUGH MID-SUMMER SEEDING WILL BENEFIT FROM A LIGHT MULCHING OF WEED-FREE STRAW TO CONSERVE MOISTURE. IF CONDITIONS ARE DRIER THAN USUAL, WATERING WILL BE REQUIRED. FERTILIZATION IS NOT REQUIRED UNLESS THE SOILS ARE PARTICULARLY INFERTILE. PREPARATION OF A CLEAN WEED FREE SEED BED IS NECESSARY FOR OPTIMAL RESULTS.

APPLY: 35 LBS/ACRE :1250 SQ FT/LB

EROSION CONTROL BLANKET FOR SLOPES SEE LANDSCAPE NOTES

LOAM AND SEED NOTES:

CONTRACTOR SHALL SEED ALL DISTURBED AREAS NOT NOTED TO RECEIVE OTHER MATERIALS, AND AT AREAS SHOWN ON THE PLAN PER SPECIFICATIONS BELOW

SCIENTIFIC NAME	COMMON NAME	PROPORTION BY WEIGHT	PERCENT PURITY	PERCENT GERMINATION
FESTUCA RUBRA "RUBRA"	CREEPING RED FESCUE	37%	95%	90%
LESCO DOUBLE EAGLE SEED BLEND	PERENNIAL RYEGRASS 3 VARIETIES	55%	100%	90%
FESTUCA RUBRA COMMUTATA WILMA	WILMA CHEWINGS	8%	95%	80%

- SEED TO BE SPREAD AT MINIMUM RATE OF 5 LBS. PER 1000 SQ. FT.
- SEEDING TO BE COMPLETED "IN SEASON" BETWEEN APRIL 1 TO JUNE 15 OR AUGUST 15 TO OCTOBER 1, EXCEPT FOR RESEEDING OF BARE SPOTS. IF UNABLE TO SEED WITHIN THESE TIMEFRAMES, CONTRACTOR TO INSTALL EROSION CONTROL MATS ON ALL SLOPES 3:1 AND OVER, HYDROSEED ALL EXPOSED AREAS, ADD SOIL STABILIZER "FLEX TERRA HP-FGM" AS MANUFACTURED BY "PROFILE" TO HYDROSEED (AT RATE OF 3,000 LBS PER ACRE). CONTRACTOR TO COMPLETE ALL ABOVE "OUT OF SEASON" REQUIREMENTS AND THEN ALSO BE RESPONSIBLE FOR RE-GRADING AND RE-SEEDING ALL DISTURBED, ERODED, OR BARE SPOTS WITHIN NEXT CLOSEST PLANTING SEASON IN FALL OR SPRING.
- COMMERCIAL FERTILIZER SHALL BE APPLIED AT THE RATE OF 25 POUNDS PER 1000 SQ. FT. OR AS RECOMMENDED BY THE TESTING AGENCY. LIME TO BE SPREAD AT THE RATE OF 100 POUNDS PER 1000 SQ. FT OR AS RECOMMENDED BY THE TESTING AGENCY. COMMERCIAL FERTILIZER SHALL BE A COMPLETE FERTILIZER CONTAINING AT LEAST 50% OF THE NITROGEN OF WHICH IS DERIVED FROM NATURAL ORGANIC SOURCES OF UREAFORM. IT SHALL CONTAIN THE FOLLOWING PERCENTAGES BY WEIGHT: NITROGEN (N) 10%, PHOSPHORUS (P) 6%, POTASH (K) 4%. LIME SHALL BE AN APPROVED AGRICULTURAL LIMESTONE CONTAINING NOT LESS THAN 85% OF TOTAL CARBONATES. LIMESTONE SHALL BE GROUND TO SUCH FINENESS THAT 50% WILL PASS A 100 MESH SIEVE AND 90% WILL PASS THROUGH A 20 MESH SIEVE.
- LAWN AREAS TO BE SEED BY SOWING EVENLY WITH AN APPROVED MECHANICAL SEEDER AT THE RATE OF TEN POUNDS PER 1000 SQUARE FEET.
- CONTRACTOR RESPONSIBLE FOR WATERING, MOWING, AND RESEEDING OF LAWN BARE SPOTS UNTIL A UNIFORM, HEALTHY STAND OF GRASS IS ESTABLISHED AND ACCEPTED.



Ernst Conservation Seeds
8884 Mercer Pike
Meadville, PA 16335
(800) 873-3321 Fax (814) 336-5191
www.ernstseed.com

Date: December 04, 2023

Native Steep Slope Mix w/Grain Rye - ERNMX-181-2

Botanical Name	Common Name	Price/Lb
40.00 % <i>Secale cereale</i> , Variety Not Stated	Rye, Variety Not Stated	0.51
20.80 % <i>Sorghastrum nutans</i> , PA Ecotype	Indiangrass, PA Ecotype	14.58
11.20 % <i>Andropogon gerardii</i> , "Niagara"	Big Bluestem, "Niagara"	9.27
8.80 % <i>Elymus virginicus</i> , Madison-NY Ecotype	Virginia Wildrye, Madison-NY Ecotype	10.45
8.00 % <i>Elymus canadensis</i>	Canada Wildrye	9.57
3.10 % <i>Panicum virgatum</i> , "Shawnee"	Switchgrass, "Shawnee"	11.96
2.40 % <i>Panicum clandestinum</i> , Tioga	Deertongue, Tioga	22.08
1.20 % <i>Echinacea purpurea</i>	Purple Coneflower	43.20
1.10 % <i>Chamaecrista fasciculata</i> , PA Ecotype	Partridge Pea, PA Ecotype	12.00
0.90 % <i>Hesperis helianthoides</i> , PA Ecotype	Oxeye Sunflower, PA Ecotype	33.60
0.80 % <i>Coreopsis lanceolata</i>	Lanceleaf Coreopsis	28.80
0.80 % <i>Rudbeckia hirta</i>	Blackeyed Susan	31.20
0.30 % <i>Monarda fistulosa</i> , Fort Indiantown Gap-PA Ecotype	Wild Bergamot, Fort Indiantown Gap-PA Ecotype	96.00
0.20 % <i>Asclepias syriaca</i> , PA Ecotype	Common Milkweed, PA Ecotype	96.00
0.20 % <i>Solidago rugosa</i> , PA Ecotype	Wrinkleleaf Goldenrod, PA Ecotype	264.00
0.10 % <i>Aster lateriflorus</i>	Calico Aster	336.00
0.10 % <i>Aster pilosus</i> , PA Ecotype	Heath Aster, PA Ecotype	264.00

100.00 % Mix Price/Lb Bulk: \$9.90

Seeding Rate: 75 lb per acre
Erosion Control & Revegetation; Grasses & Grass-like Species - Herbaceous Perennial; Herbaceous Flowering Species - Herbaceous Perennial

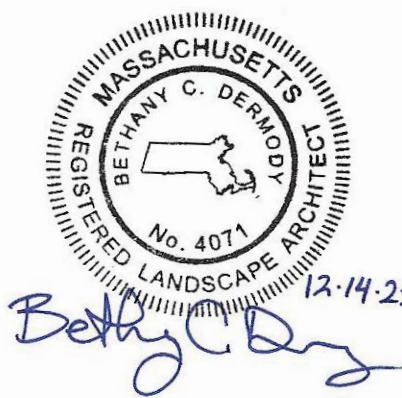
Use this formula with grain rye as a cover crop (from August 1st-February 15th). Mix formulations are subject to change without notice depending on the availability of existing and new products. While the formula may change, the guiding philosophy and function of the mix will not.

Price quotes guaranteed for 30 days.
All prices are FOB Meadville, PA.
Please check our web site at www.ernstseed.com
for current pricing when placing orders.

LANDSCAPE NOTES

ALL WORK SHALL BE IN ACCORDANCE WITH THE REQUIREMENTS OF THE CITY OF FRANKLIN, MA.

- PLANTING PLAN IS DIAGRAMMATIC IN NATURE. FINAL PLACEMENT OF PLANTS TO BE APPROVED BY THE LANDSCAPE ARCHITECT IN THE FIELD.
- THE CONTRACTOR SHALL BE RESPONSIBLE FOR CONTACTING ALL UTILITY COMPANIES, ANY PERMITTING AGENCIES, AND "DIG-SAFE" (1-888-344-7233) AT LEAST 72 HOURS IN ADVANCE OF ANY WORK THAT WILL REQUIRE EXCAVATION. CONTRACTOR SHALL NOTIFY THE OWNERS REPRESENTATIVE OF ANY CONFLICTS IN WRITING.
- NO PLANT MATERIAL SHALL BE INSTALLED UNTIL ALL GRADING AND CONSTRUCTION HAS BEEN COMPLETED IN THE IMMEDIATE AREA, ANY TREES NOTED AS "SEAL OR SELECTED SPECIMEN" SHALL BE TAGGED AND SEALED BY THE LANDSCAPE ARCHITECT.
- ALL TREES SHALL BE BALLED AND BURLAPPED (B&B) UNLESS OTHERWISE NOTED OR APPROVED BY THE OWNER'S REPRESENTATIVE AND LANDSCAPE ARCHITECT.
- CONTRACTOR SHALL VERIFY QUANTITIES SHOWN ON PLANT LIST. QUANTITIES SHOWN ON PLANS SHALL GOVERN OVER PLANT LIST.
- ANY PROPOSED PLANT SUBSTITUTIONS MUST BE APPROVED IN WRITING BY OWNER'S REPRESENTATIVE AND LANDSCAPE ARCHITECT.
- ALL PLANT MATERIALS INSTALLED SHALL MEET THE GUIDELINES ESTABLISHED BY THE STANDARDS FOR NURSERY STOCK PUBLISHED BY THE AMERICAN ASSOCIATION OF NURSERYMEN.
- ALL PLANT MATERIALS SHALL BE GUARANTEED FOR ONE YEAR FOLLOWING DATE OF ACCEPTANCE.
- ALL DISTURBED AREAS NOT OTHERWISE NOTED SHALL RECEIVE 6" OF SUITABLE LOAM & SEED LAWNS WITH 3:1 OR GREATER SLOPES SHALL BE PROTECTED WITH AN EROSION CONTROL BLANKET.
- ANY FALL TRANSPLANTING HAZARD PLANTS SHALL BE DUG IN THE SPRING AND STORED FOR FALL PLANTING.
- TREES SHALL HAVE A MINIMUM CALIPER AS INDICATED ON THE PLANTING SCHEDULE TAKEN ONE FOOT ABOVE THE ROOT CROWN.
- ALL PLANT BEDS AND TREE SAUCERS TO RECEIVE 3" OF PINE BARK MULCH. GROUND COVER AREAS SHALL RECEIVE 1" OF PINE BARK MULCH
- ALL DECIDUOUS TREES ADJACENT TO WALKWAYS AND ROADWAYS SHALL HAVE A BRANCHING PATTERN TO ALLOW FOR A MINIMUM OF 7' OF CLEARANCE BETWEEN THE GROUND AND THE LOWEST BRANCH.
- ALL TREE STAKES SHALL BE STAINED DARK BROWN.
- CONTRACTOR RESPONSIBLE FOR WATERING, AND RESEEDING OF BARE SPOTS UNTIL A UNIFORM STAND OF VEGETATION IS ESTABLISHED AND ACCEPTED.
- ALL PARKING ISLANDS PLANTED WITH SHRUBS SHALL HAVE 24" OF TOP SOIL. FINISH GRADE SHALL BE EQUAL TO THE TOP OF CURB.
- SOIL SAMPLES, TESTS, AND SHOP DRAWINGS SHALL BE PROVIDED TO THE LANDSCAPE ARCHITECT OR THE OWNER FOR APPROVAL PRIOR TO CONSTRUCTION.
- ALL PROPOSED LANDSCAPE AREAS INCLUDING MOWED LAWNS, TREES, SHRUB BEDS, AND PERENNIALS SHALL BE PROVIDED WITH WATER EFFICIENT UNDERGROUND IRRIGATION. DESIGN AND INSTALLATION OF IRRIGATION SYSTEM TO BE PERFORMED BY AN APPROVED IRRIGATION DESIGN BUILD CONTRACTOR OR BY AN APPROVED EQUAL, TO BE DETERMINED BY THE OWNERS REPRESENTATIVE AND LANDSCAPE ARCHITECT. IRRIGATION SYSTEM IS TO BE DESIGNED FOR EFFICIENT WATER USAGE INCLUDING: USE OF DRIP IRRIGATION FOR SHRUBS AND PERENNIALS, IRRIGATION SYSTEM WITH HEAD-TO-HEAD COVERAGE, A CENTRAL SHUT-OFF VALVE, SEPARATE ZONES FOR EACH TYPE OF BEDDING AREA BASED ON WATERING NEEDS, AND A RAIN SENSOR TO SHUT OFF IRRIGATION DURING RAIN EVENTS.



PROFESSIONAL LANDSCAPE ARCHITECT FOR ALLEN & MAJOR ASSOCIATES, INC.

REV	DATE	DESCRIPTION
7	12-14-23	ISSUED FOR SITE PLAN AMENDMENT
6	10-24-23	REVISED PER CONDITIONS OF APPROVAL
5	05-18-23	REVISION 5 PER REVIEW COMMENTS
4	05-11-23	REVISION 4 PER REVIEW COMMENTS
3	05-01-23	REVISION 3 PER REVIEW COMMENTS
2	04-14-23	REVISION 2 PER DPW COMMENTS
1	04-04-23	REVISION 1 PER PEER REVIEW

APPLICANT/OWNER:

TMC HOLDINGS & DEVELOPMENT 2, LLC
24 WILLIAM WAY
BELLINGHAM, MA 02019

PROJECT:

25 FORGE PARKWAY
FRANKLIN, MA

PROJECT NO.	2712-02A	DATE:	02-21-23
SCALE:	AS SHOWN	DWG. NAME:	L-2712-02A
DESIGNED BY:	BCD	CHECKED BY:	BDJ

PREPARED BY:



ALLEN & MAJOR ASSOCIATES, INC.

civil engineering • land surveying
environmental consulting • landscape architecture
www.allenmajor.com
100 COMMERCE WAY, SUITE 5
WOUBURN MA 01801
TEL: (781) 935-6889
FAX: (781) 935-2896

WOUBURN, MA • LAKEVILLE, MA • MANCHESTER, NH

THIS DRAWING HAS BEEN PREPARED IN DIGITAL FORMAT. CLIENT/CLIENTS REPRESENTATIVE OR CONSULTANTS MAY BE PROVIDED COPIES OF DRAWINGS AND SPECIFICATIONS FOR HIS/HER INFORMATION AND/OR SPECIFIC USE ON THIS PROJECT. DUE TO THE POTENTIAL THAT THE PROVIDED INFORMATION MAY BE MODIFIED UNINTENTIONALLY OR OTHERWISE, ALLEN & MAJOR ASSOCIATES, INC. MAY REMOVE ALL INDICATION OF THE DOCUMENT'S AUTHORSHIP ON THE DIGITAL MEDIA. PRINTED REPRESENTATIONS OR PORTABLE DOCUMENT FORMAT OF THE DRAWINGS AND SPECIFICATIONS ISSUED SHALL BE THE ONLY RECORD COPIES OF ALLEN & MAJOR ASSOCIATES, INC.'S WORK PRODUCT.

DRAWING TITLE:	SHEET No.
LANDSCAPE NOTES & DETAILS	L-502

Copyright © 2023 Allen & Major Associates, Inc.
All Rights Reserved