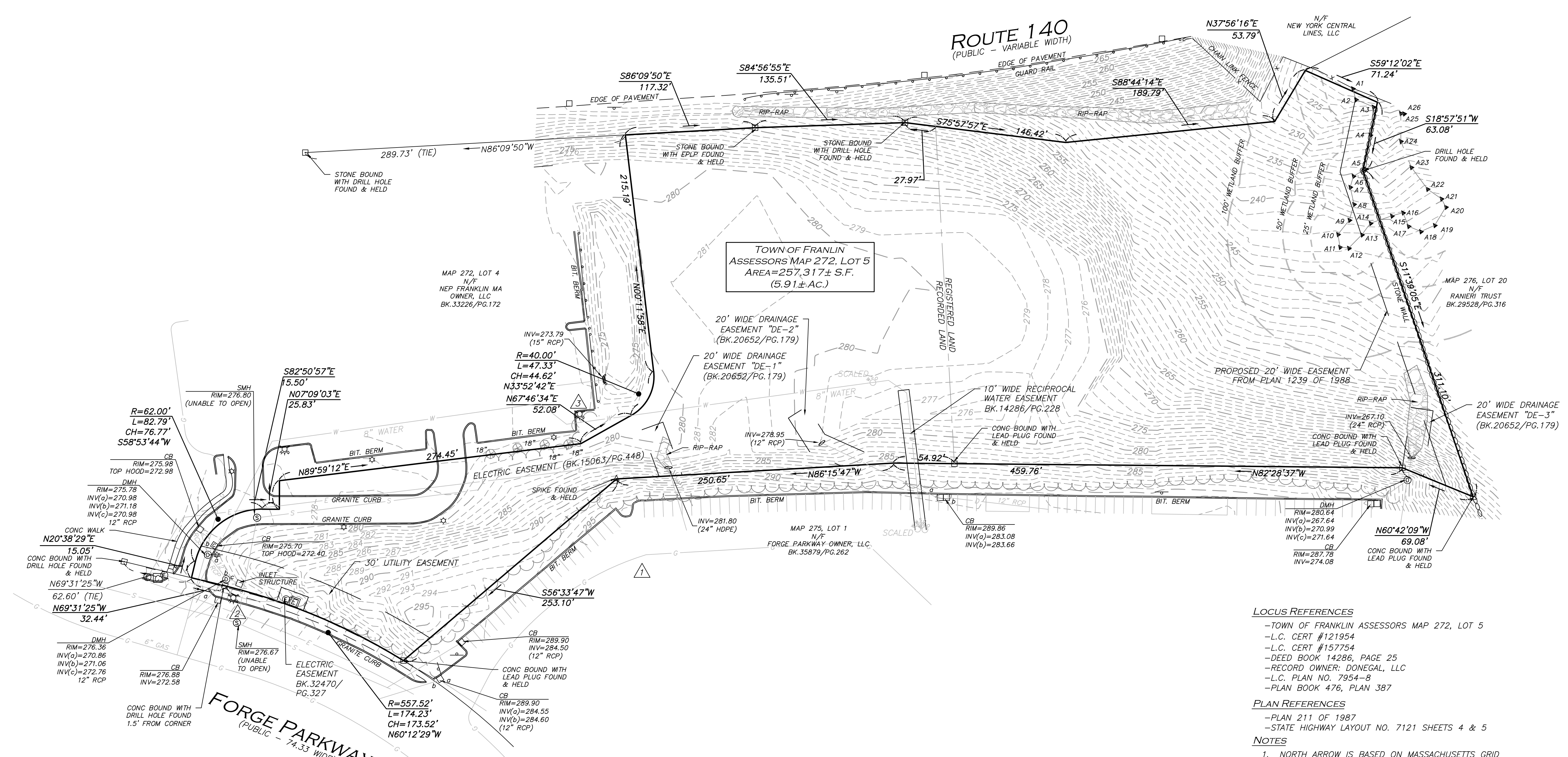
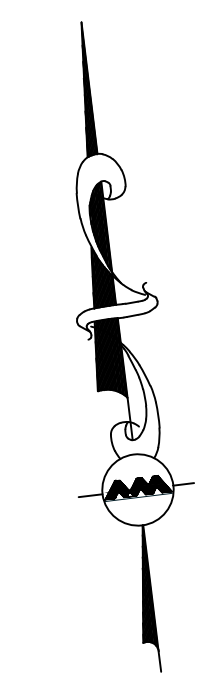


LOCUS MAP
(NOT TO SCALE)

LEGEND

DRILL HOLE (DH)	●	RIP-RAP		DRAIN LINE	D
STONE BOUND (SB)	□	EASEMENT LINE		GAS LINE	G
SPIKE	△	1' CONTOUR	- - - 53 - - -	ELECTRIC LINE	E
DRAIN MANHOLE (DMH)	⊙	5' CONTOUR	- - - 55 - - -	BITUMINOUS	BIT.
SEWER MANHOLE (SMH)	⊙	PROPERTY LINE		CONCRETE	CONC.
ELECTRIC MANHOLE (EMH)	⊙	ABUTTERS LINE		GRANITE	GRAN.
CATCH BASIN (CB)	⊙	STONE WALL		REINFORCED CONCRETE PIPE	RCP
FIRE HYDRANT	⊙	TREE LINE		HIGH DENSITY POLYETHYLENE PIPE	HDPE
WATER GATE	⊙	EDGE OF PAVEMENT		ESCUTCHEON PIN IN LEAD PLUG	EPLP
LIGHT	⊙	CURB		NOW OR FORMERLY	N/F
TREE	⊙	CHAIN LINK FENCE		BOOK	BK.
SIGN	⊙	GUARDRAIL		PAGE	PG.
ELECTRIC BOX	⊙	WATER LINE		LAND COURT	L.C.
WETLAND FLAG	▶A31	SEWER LINE		LAND COURT CASE	L.C.C.

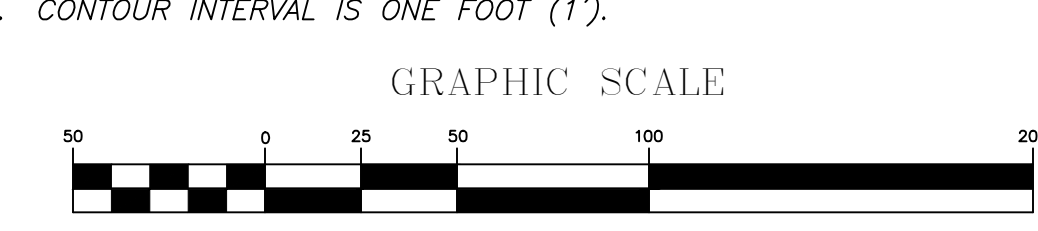


BENCHMARK SUMMARY

TBM #	DESCRIPTION	ELEV.
△	X-MARK ON HYDRANT FLANGE BOLT	298.63
△	X-MARK ON HYDRANT FLANGE BOLT	279.80
△	X-MARK ON HYDRANT FLANGE BOLT	279.70

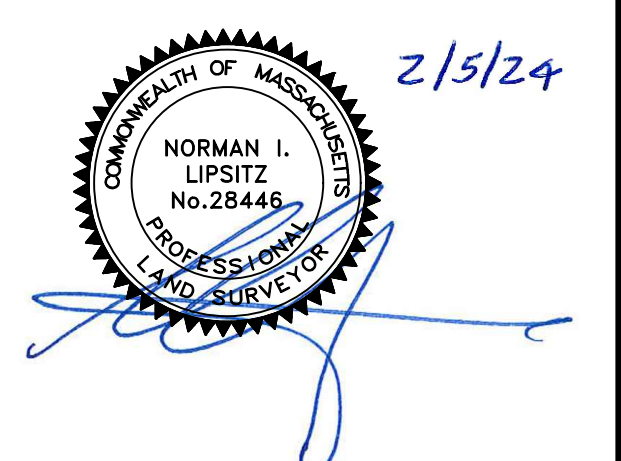
UTILITY STATEMENT
THE UTILITIES SHOWN HAVE BEEN LOCATED FROM FIELD SURVEY INFORMATION AND EXISTING DRAWINGS. ALLEN & MAJOR ASSOCIATES, INC. (A&M) MAKES NO GUARANTEE THAT THE UTILITIES SHOWN HEREON COMPRISE ALL SUCH UTILITIES IN THE AREA, EITHER IN SERVICE OR ABANDONED. A&M FURTHER DOES NOT WARRANT THAT THE UTILITIES SHOWN ARE IN THE EXACT LOCATION INDICATED. A&M HAS NOT PHYSICALLY LOCATED THE UNDERGROUND UTILITIES.

- LOCUS REFERENCES**
- TOWN OF FRANKLIN ASSESSORS MAP 272, LOT 5
 - L.C. CERT #121954
 - L.C. CERT #157754
 - DEED BOOK 14286, PAGE 25
 - RECORD OWNER: DONEGAL, LLC
 - L.C. PLAN NO. 7954-8
 - PLAN BOOK 476, PLAN 387
- PLAN REFERENCES**
- PLAN 211 OF 1987
 - STATE HIGHWAY LAYOUT NO. 7121 SHEETS 4 & 5
- NOTES**
1. NORTH ARROW IS BASED ON MASSACHUSETTS GRID COORDINATE SYSTEM (MAINLAND ZONE) (NAD 83).
 2. BOOK/PAGE AND PLAN REFERENCES ARE TAKEN FROM THE NORFOLK COUNTY REGISTRY OF DEEDS IN DEDHAM, MA.
 3. VERTICAL DATUM IS NAVD 88 ESTABLISHED USING RTK GPS OBSERVATION.
 4. CONTOUR INTERVAL IS ONE FOOT (1').



WE HEREBY CERTIFY THAT THIS PLAN IS THE RESULT OF AN ACTUAL ON THE GROUND SURVEY PERFORMED ON OR BETWEEN APRIL 11, 2023 AND MAY 2, 2023.

FEB. 5, 2024
PROFESSIONAL LAND SURVEYOR FOR ALLEN & MAJOR ASSOCIATES, INC.



REV	DATE	DESCRIPTION

APPLICANT/OWNER:
DONEGAL, LLC
PO BOX 4430
MANCHESTER, NH 03108

PROJECT:
6 FORGE PARKWAY
FRANKLIN, MA

PROJECT NO.	1362-25	DATE:	02-05-2024
SCALE:	1" = 50'	DWG. NAME:	S-1362-25
DRAFTED BY:	AJR	CHECKED BY:	NIL

ALLEN & MAJOR ASSOCIATES, INC.
civil engineering • land surveying
environmental consulting • landscape architecture
www.allenmajor.com
100 COMMERCE WAY
WOBURN MA 01801-8501
TEL: (781) 935-6889
FAX: (781) 935-2896

WOBURN, MA • LAKEVILLE, MA • MANCHESTER, NH

THIS DRAWING HAS BEEN PREPARED IN DIGITAL FORMAT. CLIENTS REPRESENTATIVE OR CONSULTANTS MAY BE PROVIDED COPIES OF DRAWINGS AND SPECIFICATIONS FOR HIS/HER INFORMATION AND/OR SPECIFIC USE ON THIS PROJECT. DUE TO THE POTENTIAL THAT THE PROVIDED INFORMATION MAY BE MODIFIED UNINTENTIONALLY OR OTHERWISE, ALLEN & MAJOR ASSOCIATES, INC. MAY REMOVE ALL INDICATION OF THE DOCUMENT'S AUTHORSHIP ON THE DIGITAL MEDIA. PRINTED REPRESENTATIONS OR PORTABLE DOCUMENT FORMAT OF THE DRAWINGS AND SPECIFICATIONS ISSUED SHALL BE THE ONLY RECORD COPIES OF ALLEN & MAJOR ASSOCIATES, INC.'S WORK PRODUCT.

DRAWING TITLE: **EXISTING CONDITIONS** SHEET No. **V-101**

Copyright © 2023 Allen & Major Associates, Inc. All Rights Reserved

EROSION CONTROL NOTES

EROSION & SEDIMENTATION CONTROL NOTES:

1. EROSION CONTROL SHALL BE INSTALLED PRIOR TO CONSTRUCTION AND SHALL BE ADEQUATE TO MAINTAIN SEDIMENT ON SITE. ANY MODIFICATIONS TO SILT CONTROLS SHOWN ON THE APPROVED PLANS AS A RESULT OF ACTUAL FIELD CONDITIONS OR CONSTRUCTION PRACTICES SHALL BE INSTALLED IN ACCORDANCE WITH B.M.P. (BEST MANAGEMENT PRACTICES) PER THE E.P.A. 2022 "CONSTRUCTION GENERAL PERMIT" MANUAL, AND MASSACHUSETTS 2003 EROSION & SEDIMENT CONTROL GUIDELINES FOR URBAN AND SUBURBAN AREAS, ANY SUCH MODIFICATIONS FROM THE ABOVE MANUALS SHALL BE INSTALLED AS APPROVED BY THE ENGINEER OR THE LOCAL MUNICIPALITY.
2. AREAS OF EXPOSED SOIL UNDERGOING CONSTRUCTION THAT WILL NOT BE COVERED AND OR FINISHED GRADED SHALL BE STABILIZED AS SOON AS PRACTICABLE BUT IN NO CASE MORE THAN 14 DAYS AFTER THE CONSTRUCTION ACTIVITY (UNLESS MUNICIPALITY HAS STRICTER REQUIREMENTS WHICH SHALL BE FOLLOWED) IN THAT PORTION OF THE SITE HAS TEMPORARILY OR PERMANENTLY CEASED. TEMPORARY EROSION CONTROL MEASURES SHALL INCLUDE EROSION CONTROL MESH, NETTING OR MULCH AS DIRECTED BY THE OWNER'S REPRESENTATIVE AND SHOWN ON THE DESIGN PLANS. IF MULCH IS USED, STRAW MULCH SHALL BE APPLIED AT THE RATE OF 4 BALES PER 1,000 SQUARE FEET. APPLICATION AREA SHALL BE SUFFICIENTLY COVERED WITH MULCH TO AVOID ANY VISIBLE SOIL EXPOSURE. MULCH SHALL BE KEPT MOIST TO AVOID LOSS DUE TO WIND. MULCH AND NETTING SHALL BE APPLIED IN THE BASE OF ALL GRASSED WATERWAYS, IN VEGETATIVE SLOPES WHICH EXCEED 15% AND DISTURBED AREAS WITHIN 100 FEET OF WETLANDS OR STREAMS.
3. IF DISTURBED AREAS DO NOT RECEIVE FINAL SEEDING BY OCTOBER 1ST OF THE CONSTRUCTION YEAR, THEN ALL DISTURBED AREAS SHALL BE SEEDING WITH A WINTER COVER CROP AT THE RATE OF 3 LBS PER 1,000 SQUARE FEET. WINTER SEEDING SHALL BE COVERED WITH EROSION CONTROL MESH (MULCH AND NETTING). HEAVY GRADE MATS SHALL BE USED IN THE BASE OF ALL GRASSED WATERWAYS ON VEGETATED SLOPES IN EXCESS OF 15%, AND ANY DISTURBED AREAS WITHIN 100 FEET OF WETLANDS OR STREAMS. MULCH AND NETTING SHALL ALSO BE PROVIDED FOR ADDITIONAL WINTER PROTECTION.
4. ALL TOPSOIL SHALL BE COLLECTED, STOCKPILED, SEEDING WITH RYE AT 3LBS PER 1,000 SQUARE FOOT AND MULCHED, AND REUSED AS REQUIRED. TUBULAR BARRIERS SHALL BE PLACED DOWN GRADIENT FROM STOCKPILED LOAM. LOAM SHALL BE STOCKPILED AT LOCATIONS DESIGNATED BY THE OWNER AND ENGINEER.
5. ALL TUBULAR BARRIERS, SILT SACKS, AND EROSION CONTROL BERMS SHALL BE INSTALLED ACCORDING TO THE SITE PREPARATION PLAN. THESE SHALL BE MAINTAINED DURING DEVELOPMENT TO REMOVE SEDIMENT FROM RUNOFF WATER. ALL THE FILTER BARRIERS AND EROSION CONTROL BERMS SHALL BE INSPECTED AFTER ANY RAINFALL OR RUNOFF EVENT, MAINTAINED AND CLEANED UNTIL ALL AREAS HAVE AT LEAST 85-90% VIGOROUS PERENNIAL COVER OF GRASSES.
6. ADJACENT ROADS SHALL BE PERIODICALLY SWEEPED OR WASHED TO AVOID TRACKING MUD, DUST OR DEBRIS FROM THE CONSTRUCTION AREA AS OFTEN AS NECESSARY (WHICH COULD BE ON A DAILY BASIS) TO REMOVE ANY SOIL OR SEDIMENTS AT NO ADDITIONAL COST TO THE OWNER. A WATERING TRUCK WILL BE USED TO PERIODICALLY SPRINKLE CONSTRUCTION AREAS IN ORDER TO KEEP THE LEVEL OF DUST TO A MINIMUM DURING THE DRY MONTHS AT NO ADDITIONAL COST TO THE OWNER.
7. THE CONTRACTOR SHALL USE EXTREME CAUTION TO AVOID ALLOWING SEDIMENTS TO ENTER THE STORM DRAIN SYSTEM DURING CONSTRUCTION. BOTH EXISTING AND PROPOSED CATCH BASIN INLETS SHALL BE PROTECTED DURING CONSTRUCTION BY THE USE SILT SACKS AND/OR TUBULAR BARRIERS AROUND EACH INLET AS NOTED ON THE PLANS. INLET PROTECTION MAY BE REMOVED ONLY AFTER FINISHED AREAS ARE PAVED AND THE VEGETATED SLOPES ARE ESTABLISHED WITH AT LEAST 85-90% OF VIGOROUS PERENNIAL GROWTH.
8. AS APPLICABLE, EROSION CONTROL MESH SHALL BE APPLIED IN ACCORDANCE WITH THE PLANS OVER ALL FINISHED SEEDING AREAS AS SPECIFIED ON THE DESIGN PLANS.
9. AT A MINIMUM, ALL TUBULAR BARRIERS AND FILTER FABRIC SHALL REMAIN IN PLACE UNTIL SEEDINGS OR PLANTINGS HAVE BECOME 85-90% ESTABLISHED. THE LOCAL CONSERVATION COMMISSION MUST APPROVE THE REMOVAL OR RELOCATION OF ANY OF THE TUBULAR BARRIERS AND FILTER FABRIC. ONCE THE TUBULAR BARRIERS ARE REMOVED THE AREAS ARE TO BE LOAMED AND SEEDING TO ACHIEVE FULL STABILIZATION.
10. AT THE OWNER'S DISCRETION ADDITIONAL EROSION CONTROL MEASURES MAY BE REQUIRED TO MAINTAIN STABILITY OF EARTHWORKS AND FINISHED GRADED AREAS. THE CONTRACTOR, AT HIS EXPENSE, WILL BE RESPONSIBLE FOR PROVIDING AND INSTALLING ANY ADDITIONAL MEASURES AS SPECIFIED BY THE OWNER. THIS INCLUDES BUT IS NOT LIMITED TO REQUESTS BY MA DEP, THE ENGINEER AND THE LOCAL MUNICIPALITY, AS AUTHORIZED BY THE OWNER. FAILURE TO COMPLY WITH THE OWNER'S DIRECTIONS WILL RESULT IN DISCONTINUATION OF CONSTRUCTION ACTIVITIES.
11. INSPECTIONS AND MONITORING MAINTENANCE MEASURES SHALL BE APPLIED AS NEEDED DURING THE ENTIRE CONSTRUCTION CYCLE. WEEKLY INSPECTIONS SHALL BE HELD THROUGHOUT THE DURATION OF CONSTRUCTION ACTIVITY. WEEKLY INSPECTION REPORTS SHALL BE MAINTAINED BY THE CONTRACTOR AND LOCATED IN THE CONTRACTORS FIELD OFFICE ONSITE. IN ADDITION TO THE NORMAL WEEKLY INSPECTIONS, THE CONTRACTOR SHALL PERFORM AN INSPECTION OF ALL EROSION CONTROL MEASURES AFTER EACH RAINFALL OF 0.25" OR MORE, AND PERFORM THE NECESSARY REPAIRS. THE INSPECTIONS SHALL INCLUDE BUT NOT BE LIMITED TO THE SITE'S DOWN STREAM DISCHARGE POINTS.
12. IF ANY EVIDENCE OF SEDIMENTATION IS OBSERVED AT THE STORMWATER MANAGEMENT AREA INLETS, THE CONTRACTOR SHALL, AT HIS OWN EXPENSE, PROVIDE A PLAN TO THE ENGINEER TO REMOVE ANY ACCUMULATED SEDIMENT IN THESE AREAS. THE CONTRACTOR SHALL ALSO IMMEDIATELY PROVIDE ADDITIONAL ON SITE EROSION AND SEDIMENTATION CONTROL MEASURES TO PREVENT FURTHER DEGRADATION OF THE AREA.
13. FOLLOWING THE TEMPORARY OR FINAL SEEDINGS, THE CONTRACTOR SHALL INSPECT THE WORK AREA SEMI-MONTHLY TO ENSURE THE AREAS HAVE A MINIMUM OF 85-90% VEGETATED VIGOROUS GROWTH. RE-SEEDING SHALL BE CARRIED OUT BY THE CONTRACTOR WITH FOLLOW UP INSPECTIONS IN THE EVENT OF ANY FAILURES UNTIL VEGETATION IS ADEQUATELY ESTABLISHED.
14. CONTRACTOR & ALL SITE SUBCONTRACTORS SHALL BE FAMILIAR WITH & FOLLOW ALL APPROVED PERMITS AND CONDITIONS. CONTRACTOR SHALL MAINTAIN A COPY OF ALL APPROVED PERMITS ONSITE. ALL CONDITIONS & RECOMMENDATIONS WITHIN THE APPROVED PERMITS SHALL BE COMPLETED.
15. ALL EROSION MEASURES SHALL BE INSTALLED PRIOR TO CONSTRUCTION AND SHALL BE ADEQUATE TO MAINTAIN SEDIMENT ON SITE. ANY MODIFICATIONS SHALL BE INSTALLED AS DIRECTED BY THE ENGINEER OR THE LOCAL MUNICIPALITY.
16. EROSION AND SEDIMENTATION CONTROL MEASURES SHALL BE MAINTAINED DURING CONSTRUCTION, AND SHALL REMAIN IN PLACE UNTIL ALL SITE WORK IS COMPLETE AND GROUND COVER IS ESTABLISHED.
17. TOP OF STOCKPILES SHALL BE COVERED IN SUCH MANNER THAT STORMWATER DOES NOT INFILTRATE THE MATERIALS AND THEREBY RENDER THE SAME UNSUITABLE FOR FILL USE.

EROSION & SEDIMENTATION CONTROL NOTES (CONTINUED):

18. ALL DISTURBED OR EXPOSED AREAS SUBJECT TO EROSION SHALL BE STABILIZED WITH MULCH OR SEEDING FOR TEMPORARY VEGETATIVE COVER. NO AREA, SUBJECT TO EROSION SHALL BE LEFT DISTURBED AND UNSTABILIZED FOR PERIODS LONGER THAN IS ABSOLUTELY NECESSARY TO CARRY OUT THAT PORTION OF THE CONSTRUCTION WORK OR SIX MONTHS AFTER SOIL HAS BEEN DISTURBED WHICHEVER IS LESS.
19. CULVERT/PIPE INLETS AND OUTFALLS SHALL BE PROTECTED BY TUBULAR BARRIER FILTERS AND STONE CHECK DAMS UNTIL DISTURBED AREAS ARE PERMANENTLY STABILIZED.
20. TUBULAR BARRIER DIKES SHALL BE CONSTRUCTED AT ALL EXISTING & PROPOSED CATCH BASINS. NO SEDIMENTATION SHALL ENTER THE ON-SITE OR OFF-SITE DRAINAGE SYSTEMS AT ANY TIME.
21. ALL EROSION CONTROL MEASURES SHALL BE ROUTINELY INSPECTED, CLEANED AND REPAIRED OR REPLACED AS NECESSARY THROUGHOUT ALL PHASES OF CONSTRUCTION. IN ADDITION, INSPECTIONS SHALL TAKE PLACE WEEKLY AND BEFORE AND AFTER EACH RAINFALL EVENT.
22. ALL PROPOSED SLOPES STEEPER THAN 3:1 SHALL BE STABILIZED WITH JUTE MESH AND PROTECTED FROM EROSION UNTIL WORK IS COMPLETE AND GROUND COVER IS ESTABLISHED.
23. THE CONTRACTOR SHALL KEEP ON SITE AT ALL TIMES ADDITIONAL TUBULAR BARRIERS FOR INSTALLATION AT THE DIRECTION OF THE ENGINEER OR THE TOWN ENGINEER TO MITIGATE ANY EMERGENCY CONDITION.
24. AS CONSTRUCTION DISTURBANCE IS GREATER THAN 1 ACRE, A NATIONAL POLLUTANT DISCHARGE ELIMINATION SYSTEM (NPDES) CONSTRUCTION GENERAL PERMIT NOI, AND STORM WATER POLLUTION PREVENTION PLAN (SWPPP) WILL NEED TO BE SUBMITTED TO THE EPA. THE NPDES PERMIT FOR STORM WATER DISCHARGE, & CONSTRUCTION GENERAL PERMIT NOI WILL BE REQUIRED TO BE SUBMITTED AT LEAST 14 DAYS PRIOR TO COMMENCING CONSTRUCTION BY THE CONTRACTOR.
25. OWNER AND CONTRACTOR ARE RESPONSIBLE FOR COMPLIANCE WITH THE CONSTRUCTION GENERAL PERMIT NOI, WEEKLY SWPPP INSPECTION REPORTS TO BE PERFORMED BY CONTRACTOR. COPIES OF ALL SWPPP INSPECTION REPORTS SHALL BE PROVIDED TO THE LOCAL MUNICIPALITY, EPA, DEP, OR ANY OTHER AUTHORITY REQUESTING WITHIN 3 DAYS OF EACH INSPECTION.
26. APPLICABLE WORK AND MATERIALS SHALL COMPLY WITH ALL LOCAL, MA DEP, EPA CONSTRUCTION GENERAL PERMIT STANDARDS. ALL CONSTRUCTION SHALL CONFORM TO THE APPLICABLE SITE PLAN REGULATIONS FROM THE LOCAL AND USDA SOIL CONSERVATION SERVICE VEGETATIVE PRACTICES IN SITE DEVELOPMENT.
27. A WATERING TRUCK SHALL BE USED TO PERIODICALLY SPRINKLE CONSTRUCTION AREAS IN ORDER TO KEEP THE LEVEL OF DUST TO A MINIMUM DURING THE DRY MONTHS AND AS REQUIRED.
28. IF DEWATERING IS NECESSARY IT SHALL ONLY BE COMPLETED AS FOLLOWS: THE DISCHARGE SHALL BE STOPPED IMMEDIATELY IF THE RECEIVING AREA SHOWS ANY SIGN OF INSTABILITY OR EROSION. ALL CHANNELS, SWALES, AND DITCHES DUG FOR DISCHARGING WATER FROM THE EXCAVATED AREA SHALL BE STABLE PRIOR TO DIRECTING DISCHARGE TO THEM. IF A CONSTRUCTION EQUIPMENT BUCKET IS USED, IT SHALL EMPTY THE MATERIAL TO A STABLE AREA. NO DEWATERING SHALL OCCUR DURING PERIODS OF INTENSE, HEAVY RAIN. FLOW TO THE SEDIMENT REMOVAL STRUCTURE SHALL NOT EXCEED THE STRUCTURE'S CAPACITY TO SETTLE AND FILTER FLOW OR ITS VOLUME CAPACITY. WHENEVER POSSIBLE, THE DISCHARGE FROM THE SEDIMENT REMOVAL STRUCTURE SHALL DRAIN TO A WELL-VEGETATED BUFFER BY SHEET FLOW WHILE MAXIMIZING THE DISTANCE TO THE NEAREST WATER RESOURCE AND MINIMIZING THE SLOPE OF THE BUFFER AREA. THERE SHALL BE NO DIRECT DISCHARGE TO EXISTING WETLANDS OR STREAMS. ALL DISCHARGE SHALL BE IN COMPLIANCE WITH STATE, LOCAL, AND FEDERAL REQUIREMENTS.
29. INITIATE STABILIZATION OF EXPOSED AREAS IMMEDIATELY IF CONSTRUCTION WORK TEMPORARILY OR PERMANENTLY CEASES.
30. ALL DISCHARGES FROM POLLUTION SOURCES ARE PROHIBITED ONSITE SUCH AS FUELS, WASTEWATER FROM WASH OUT OF CONCRETE, WASTEWATER FROM CLEAN OUT OF PAINTS, FORM RELEASE OILS, SOLVENTS, ADHESIVES, CURING COMPOUNDS, POLLUTANTS USED FOR MAINTENANCE OF VEHICLES AND EQUIPMENT, SOAPS & SOLVENTS, TOXIC OR HAZARDOUS SUBSTANCES, CHEMICALS AND OILS. IF A POLLUTANT IS DISCHARGED, IT NEEDS TO BE IMMEDIATELY CLEANED UP BY REMOVING THE CHEMICAL AND AFFECTED SOIL OR AREA OF SPILL FROM THE SITE IN ACCORDANCE WITH BOTH THE MANUFACTURER RECOMMENDATIONS, FEDERAL, STATE, AND LOCAL REQUIREMENTS. DO NOT HOSE DOWN AND SPREAD SPILLED ITEM. ALL CHEMICALS USED ON THE SITE SHALL BE IN LEAK-PROOF CONTAINERS STORED AWAY FROM WETLANDS, SURFACE WATERS, STORMWATER INLETS, AND DRAINAGE MEASURES. SPILL KITS SHALL BE AVAILABLE ONSITE FOR EMERGENCY USE. THERE SHALL BE A SECONDARY CONTAINMENT MEASURE OF ALL CHEMICALS IN ADDITION TO SPILL-PROOF CONTAINERS.
31. PRIOR TO COMMENCEMENT OF CONSTRUCTION, APPLICABLE CONTRACTOR PERSONNEL MUST HAVE AN UNDERSTANDING OF THE EPA CONSTRUCTION GENERAL PERMIT REQUIREMENTS AND THEIR SPECIFIC RESPONSIBILITIES UNDER THE PERMIT. AT A MINIMUM, PERSONNEL MUST BE TRAINED AND UNDERSTAND THE FOLLOWING: LOCATION OF ALL STORMWATER CONTROLS AND HOW TO MAINTAIN THEM, PROCEDURES FOR COMPLYING WITH THE POLLUTION PREVENTION REQUIREMENTS, PROCEDURES FOR CONDUCTING INSPECTIONS, RECORDING FINDINGS, AND TAKING CORRECTIVE ACTION.
32. ALL SEDIMENT TRACKED ONTO ROADWAYS MUST BE REMOVED AT END OF EACH WORK DAY.
33. ALL USE OF CATIONIC TREATMENT CHEMICALS (EXAMPLES INCLUDE POLYMERS, CHITOSAN, CATIONIC PAM, FLOCCULANTS OR OTHER CHEMICAL UTILIZED FOR STABILIZATION) ARE PROHIBITED. IF ALL OTHER AVAILABLE STABILIZATION MEASURES ARE NOT POSSIBLE AND USE OF CATIONIC CHEMICALS IS ABSOLUTELY NECESSARY THE CONTRACTOR WILL NEED TO CONTACT THE EPA NEW ENGLAND OFFICE IN WRITING FOR APPROVAL AND SPECIFIC REQUIREMENTS (MAXIMUM DOSAGE RATE, RESIDUAL TESTING, SPECIFIC LIMITATIONS, ETC) PRIOR TO USE.
34. IF USING NON-VEGETATIVE STABILIZATION MEASURES, IT MUST BE COMPLETED NO LATER THAN 14 DAYS AFTER INITIATING STABILIZATION. ALL AREAS OF EXPOSED SOILS MUST BE COVERED.
35. INSPECTIONS OF EROSION CONTROL MEASURES SHALL BE AT LEAST ONCE EVERY 7 DAYS BY THE CONTRACTOR. AT A MINIMUM INSPECTIONS SHALL INCLUDE ALL DISTURBED AREAS, ALL STORMWATER CONTROLS AND POLLUTION PREVENTION MEASURES, ALL LOCATIONS WHERE STABILIZATION MEASURES HAVE BEEN IMPLEMENTED, EQUIPMENT AND MATERIAL STORAGE AREAS, ALL AREAS WHERE STORMWATER FLOWS AND ALL POINTS OF DISCHARGE. WHEN CORRECTIVE ACTIONS ARE REQUIRED, THE CONTRACTOR MUST IMMEDIATELY TAKE ALL STEPS TO PREVENT POLLUTANT DISCHARGES UNTIL A PERMANENT SOLUTION IS IMPLEMENTED. AS NECESSARY NEW OR MODIFIED CONTROLS MUST BE INSTALLED AND OPERATIONAL. THE REPAIR MUST BE COMPLETED WITHIN 7 DAYS FROM THE TIME OF DISCOVERY. WITHIN 24 HOURS OF A TRIGGERING CONDITION OCCURRING THAT REQUIRES A CORRECTIVE ACTION, A CORRECTIVE ACTION REPORT MUST BE COMPLETED.

MAINTENANCE:

ALL MEASURES STATED ON THE STORMWATER POLLUTION PREVENTION PLANS, SHALL BE MAINTAINED IN FULLY FUNCTIONAL CONDITION BY CONTRACTOR UNTIL NO LONGER REQUIRED FOR A COMPLETED PHASE OF WORK OR FINAL STABILIZATION OF THE SITE. ALL EROSION AND SEDIMENTATION CONTROL MEASURES SHALL BE CHECKED BY A QUALIFIED PERSON IN ACCORDANCE WITH THE CONTRACT DOCUMENTS OR THE APPLICABLE PERMIT, WHICHEVER IS MORE STRINGENT, AND REPAIRED IN ACCORDANCE WITH THE FOLLOWING:

1. INLET PROTECTION DEVICES AND BARRIERS SHALL BE REPAIRED OR REPLACED IF THEY SHOW SIGNS OF UNDERMINING, OR DETERIORATION.
2. ALL SEEDING AREAS SHALL BE CHECKED REGULARLY TO SEE THAT A HEALTHY STAND OF GRASS IS MAINTAINED. AREAS SHOULD BE FERTILIZED, WATERED, AND RESEEDING AS NEEDED.
3. ALL SEDIMENT CONTROLS SHALL BE REPAIRED TO THEIR ORIGINAL CONDITIONS IF DAMAGED. SEDIMENT SHALL BE REMOVED FROM THE TUBULAR SEDIMENT CONTROLS WHEN IT REACHES HALF THE HEIGHT OF THE CONTROL MEASURE OR AS REQUESTED BY THE OWNER OR ENGINEER.
4. THE CONSTRUCTION ENTRANCES SHALL BE MAINTAINED IN A CONDITION WHICH WILL PREVENT TRACKING OR FLOW OF MUD ONTO PUBLIC RIGHTS-OF-WAY. THIS MAY REQUIRE PERIODIC TOP DRESSING OF THE CONSTRUCTION ENTRANCES AS CONDITIONS DEMAND.
5. THE TEMPORARY PARKING AND STORAGE AREA SHALL BE KEPT IN GOOD CONDITION (SUITABLE FOR PARKING AND STORAGE). THIS MAY REQUIRE PERIODIC TOP DRESSING OF THE TEMPORARY PARKING AS CONDITIONS DEMAND.
6. OUTLET STRUCTURES IN THE SEDIMENTATION BASINS SHALL BE MAINTAINED IN OPERATIONAL CONDITIONS AT ALL TIMES. SEDIMENT SHALL BE REMOVED FROM SEDIMENT BASINS OR TRAPS WHEN THE DESIGN CAPACITY HAS BEEN REDUCED BY 50%.

CONSTRUCTION GENERAL PERMIT NOTES AND NARRATIVE:

NARRATIVE: THE STORMWATER POLLUTION PREVENTION PLANS CONSIST OF THE SITE PREPARATION PLAN TOGETHER WITH AN EXISTING CONDITIONS PLANS, GRADING PLANS, ABBREVIATIONS AND NOTES SHEETS, AND DETAIL SHEETS.

THE EROSION CONTROL PLAN WILL BE IMPLEMENTED TO:

- A. TREAT EROSION AS SOON AS POSSIBLE AFTER DISTURBANCE.
- B. PREVENT SEDIMENT FROM LEAVING THE CONSTRUCTION AREA AND ENTERING THE RECEIVING WATERS.
- C. CONSTRUCTION ACTIVITIES SHALL BE SCHEDULED TO MINIMIZE EROSION.
- D. ONLY DISTURB, CLEAR, OR GRADE AREAS NECESSARY FOR CONSTRUCTION.



PROFESSIONAL ENGINEER FOR
ALLEN & MAJOR ASSOCIATES, INC.

REV	DATE	DESCRIPTION

APPLICANT/OWNER:

DONEGAL, LLC
PO BOX 4430
MANCHESTER, NH 03108

PROJECT:
**PROPOSED
INDUSTRIAL BUILDING**
6 FORGE PARKWAY
FRANKLIN, MA
PARCEL ID: 272-005-000-000

PROJECT NO. 1362-25 DATE: 02-05-24

SCALE: NONE DWG.: C-1362-25_Site-Prep

DESIGNED BY: SM CHECKED BY: MAM

PREPARED BY:



ALLEN & MAJOR ASSOCIATES, INC.
civil engineering • land surveying
environmental consulting • landscape architecture
www.allenmajor.com
100 COMMERCE WAY, SUITE 5
WOBURN MA 01801
TEL: (781) 935-6889
FAX: (781) 935-2896

WOBURN, MA • LAKEVILLE, MA • MANCHESTER, NH

THIS DRAWING HAS BEEN PREPARED IN ELECTRONIC FORMAT. CLIENT/CLIENTS REPRESENTATIVE OR CONSULTANT MAY BE PROVIDED COPIES OF DRAWINGS AND SPECIFICATIONS ON MAGNETIC MEDIA FOR HIS/HER INFORMATION AND USE FOR SPECIFIC APPLICATION TO THIS PROJECT. DUE TO THE POTENTIAL THAT THE MAGNETIC INFORMATION MAY BE MODIFIED UNINTENTIONALLY OR OTHERWISE, ALLEN & MAJOR ASSOCIATES, INC. MAY REMOVE ALL INDICATION OF THE DOCUMENTS AUTHORSHIP ON THE MAGNETIC MEDIA. PRINTED REPRESENTATIONS OF THE DRAWINGS AND SPECIFICATIONS ISSUED SHALL BE THE ONLY RECORD COPIES OF ALLEN & MAJOR ASSOCIATES, INC.'S WORK PRODUCT.

DRAWING TITLE: EROSION CONTROL & SITE PREPARATION NOTES	SHEET No. C-100 03 OF 24
---	---

Copyright © 2024 Allen & Major Associates, Inc.
All Rights Reserved

A:\PROJECTS\1362-25\CIVIL DRAWINGS\COURTREVIT_C-1362-25_SITE-PRFEP.DWG

GENERAL NOTES:

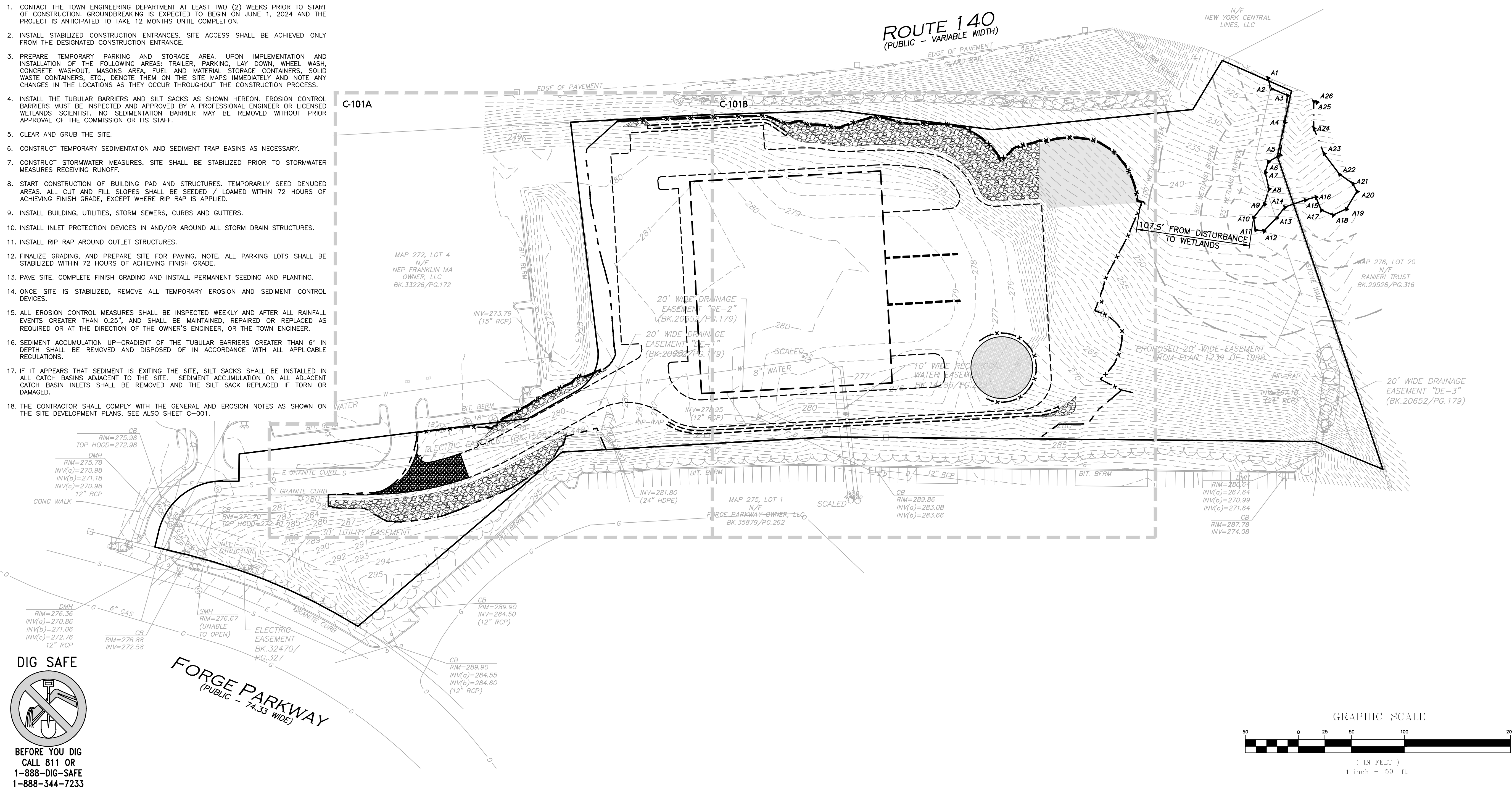
1. THE CONTRACTOR IS SPECIFICALLY CAUTIONED THAT THE LOCATION AND/OR ELEVATION OF EXISTING UTILITIES AND STRUCTURES AS SHOWN ON THESE PLANS IS BASED ON RECORDS OF VARIOUS UTILITY COMPANIES AND WHERE POSSIBLE, MEASUREMENTS TAKEN IN THE FIELD. THIS INFORMATION IS NOT TO BE RELIED ON AS BEING EXACT OR COMPLETE. THE LOCATION OF ALL UNDERGROUND UTILITIES AND STRUCTURES SHALL BE VERIFIED IN THE FIELD BY THE CONTRACTOR PRIOR TO THE START OF CONSTRUCTION.
2. THE CONTRACTOR SHALL DETERMINE THE EXACT LOCATION OF ALL EXISTING UTILITIES BEFORE COMMENCING WORK, AND AGREES TO BE FULLY RESPONSIBLE FOR ANY AND ALL DAMAGES WHICH MIGHT BE OCCASIONED BY THE CONTRACTOR'S FAILURE TO EXACTLY LOCATE AND PRESERVE ANY AND ALL UNDERGROUND UTILITIES.
3. THE CONTRACTOR MUST CONTACT THE APPROPRIATE UTILITY COMPANY, ANY GOVERNING PERMITTING AUTHORITY AND "DIGSAFE" AT LEAST 72 HOURS PRIOR TO ANY EXCAVATION WORK TO REQUEST EXACT FIELD LOCATION OF UTILITIES. THE ENGINEER SHALL BE NOTIFIED IN WRITING OF ANY UTILITIES INTERFERING WITH THE PROPOSED CONSTRUCTION AND APPROPRIATE REMEDIAL ACTION TAKEN BEFORE PROCEEDING WITH THE WORK. IT SHALL BE THE RESPONSIBILITY OF THE CONTRACTOR TO RELOCATE ALL EXISTING UTILITIES WHICH CONFLICT WITH THE PROPOSED IMPROVEMENTS SHOWN ON THE PLANS.
4. ALTHOUGH CERTAIN ITEMS HAVE BEEN NOTED ON THIS DRAWING FOR DEMOLITION, NO ATTEMPT HAS BEEN MADE TO DELINEATE EACH AND EVERY ITEM THAT REQUIRES DEMOLITION FOR THE COMPLETION OF THE PROJECT. THE CONTRACTOR WILL BE RESPONSIBLE FOR ALL NECESSARY DEMOLITION WORK TO COMPLETE THE PROJECT. ALLEN & MAJOR ASSOCIATES, INC. IS NOT RESPONSIBLE FOR SITE DEMOLITION ITEMS NOT SHOWN ON THE SURVEY, OR SPECIFICALLY NOTED. THE DEMOLITION NOTES AND ARROWS ON THIS PLAN ARE TYPICAL AND DO NOT REFLECT QUANTITY.
5. THE ENGINEER SHALL BE NOTIFIED IN WRITING OF ANY UTILITIES INTERFERING WITH THE PROPOSED CONSTRUCTION AND APPROPRIATE REMEDIAL ACTION TAKEN BEFORE PROCEEDING WITH THE WORK. IT SHALL BE THE RESPONSIBILITY OF THE CONTRACTOR TO RELOCATE ALL EXISTING UTILITIES WHICH CONFLICT WITH THE PROPOSED IMPROVEMENTS SHOWN ON THE PLAN.
6. EROSION CONTROL MEASURES SHALL BE INSTALLED PRIOR TO THE START OF CONSTRUCTION. IF IT ADDITIONAL MEASURES ARE NECESSARY DURING CONSTRUCTION THEY SHALL BE INSTALLED IMMEDIATELY AND WITHOUT DELAY. SEE DETAIL SHEET C-501 FOR ADDITIONAL INFORMATION.
7. INLET PROTECTION SHALL BE INSTALLED IN PROPOSED CATCH BASINS IMMEDIATELY UPON CONSTRUCTION.
8. THE INFORMATION SHOWN ON THIS PLAN IS THE SOLE PROPERTY OF ALLEN & MAJOR ASSOCIATES, INC. ITS INTENDED USE IS TO PROVIDE INFORMATION. ANY ALTERATION, MISUSE, OR RECALCULATION OF INFORMATION OR DATA WITHOUT THE EXPRESSED, WRITTEN CONSENT OF ALLEN & MAJOR ASSOCIATES, INC. IS STRICTLY PROHIBITED.

GENERAL SEQUENCE OF CONSTRUCTION:

1. CONTACT THE TOWN ENGINEERING DEPARTMENT AT LEAST TWO (2) WEEKS PRIOR TO START OF CONSTRUCTION. GROUND-BREAKING IS EXPECTED TO BEGIN ON JUNE 1, 2024 AND THE PROJECT IS ANTICIPATED TO TAKE 12 MONTHS UNTIL COMPLETION.
2. INSTALL STABILIZED CONSTRUCTION ENTRANCES. SITE ACCESS SHALL BE ACHIEVED ONLY FROM THE DESIGNATED CONSTRUCTION ENTRANCE.
3. PREPARE TEMPORARY PARKING AND STORAGE AREA UPON IMPLEMENTATION AND INSTALLATION OF THE FOLLOWING AREAS: TRAILER, PARKING, LAY DOWN, WHEEL WASH, CONCRETE WASHOUT, MASON'S AREA, FUEL AND MATERIAL STORAGE CONTAINERS, SOLID WASTE CONTAINERS, ETC., DENOTE THEM ON THE SITE MAPS IMMEDIATELY AND NOTE ANY CHANGES IN THE LOCATIONS AS THEY OCCUR THROUGHOUT THE CONSTRUCTION PROCESS.
4. INSTALL THE TUBULAR BARRIERS AND SILT SACKS AS SHOWN HEREON. EROSION CONTROL BARRIERS MUST BE INSPECTED AND APPROVED BY A PROFESSIONAL ENGINEER OR LICENSED WETLANDS SCIENTIST. NO SEDIMENTATION BARRIER MAY BE REMOVED WITHOUT PRIOR APPROVAL OF THE COMMISSION OR ITS STAFF.
5. CLEAR AND GRUB THE SITE.
6. CONSTRUCT TEMPORARY SEDIMENTATION AND SEDIMENT TRAP BASINS AS NECESSARY.
7. CONSTRUCT STORMWATER MEASURES. SITE SHALL BE STABILIZED PRIOR TO STORMWATER MEASURES RECEIVING RUNOFF.
8. START CONSTRUCTION OF BUILDING PAD AND STRUCTURES. TEMPORARILY SEED DENUDED AREAS. ALL CUT AND FILL SLOPES SHALL BE SEEDDED / LOAMED WITHIN 72 HOURS OF ACHIEVING FINISH GRADE, EXCEPT WHERE RIP RAP IS APPLIED.
9. INSTALL BUILDING, UTILITIES, STORM SEWERS, CURBS AND GUTTERS.
10. INSTALL INLET PROTECTION DEVICES IN AND/OR AROUND ALL STORM DRAIN STRUCTURES.
11. INSTALL RIP RAP AROUND OUTLET STRUCTURES.
12. FINALIZE GRADING, AND PREPARE SITE FOR PAVING. NOTE, ALL PARKING LOTS SHALL BE STABILIZED WITHIN 72 HOURS OF ACHIEVING FINISH GRADE.
13. PAVE SITE. COMPLETE FINISH GRADING AND INSTALL PERMANENT SEEDING AND PLANTING.
14. ONCE SITE IS STABILIZED, REMOVE ALL TEMPORARY EROSION AND SEDIMENT CONTROL DEVICES.
15. ALL EROSION CONTROL MEASURES SHALL BE INSPECTED WEEKLY AND AFTER ALL RAINFALL EVENTS GREATER THAN 0.25", AND SHALL BE MAINTAINED, REPAIRED OR REPLACED AS REQUIRED OR AT THE DIRECTION OF THE OWNER'S ENGINEER, OR THE TOWN ENGINEER.
16. SEDIMENT ACCUMULATION UP-GRADE OF THE TUBULAR BARRIERS GREATER THAN 6" IN DEPTH SHALL BE REMOVED AND DISPOSED OF IN ACCORDANCE WITH ALL APPLICABLE REGULATIONS.
17. IF IT APPEARS THAT SEDIMENT IS EXITING THE SITE, SILT SACKS SHALL BE INSTALLED IN ALL CATCH BASINS ADJACENT TO THE SITE. SEDIMENT ACCUMULATION ON ALL ADJACENT CATCH BASIN INLETS SHALL BE REMOVED AND THE SILT SACK REPLACED IF TORN OR DAMAGED.
18. THE CONTRACTOR SHALL COMPLY WITH THE GENERAL AND EROSION NOTES AS SHOWN ON THE SITE DEVELOPMENT PLANS. SEE ALSO SHEET C-001.

LEGEND

- LIMIT OF DISTURBANCE
- STABILIZED ENTRANCE
- STOCKPILE/STAGING AREA
- TUBULAR BARRIER
- CATCH BASIN FILTER
- EROSION CONTROL FABRIC



Professional Engineer Seal for Michael A. Malynowski, No. 47288, State of Massachusetts. Registration expires 02-05-2024.

PROFESSIONAL ENGINEER FOR ALLEN & MAJOR ASSOCIATES, INC.

REV	DATE	DESCRIPTION

APPLICANT/OWNER:
 DONEGAL, LLC
 PO BOX 4430
 MANCHESTER, NH 03108

PROJECT:
PROPOSED INDUSTRIAL BUILDING
 6 FORGE PARKWAY
 FRANKLIN, MA
 PARCEL ID: 272-005-000-000

PROJECT NO. 1362-25 DATE: 02-05-24

SCALE: 1" = 50' DWG.: C-1362-25_Site-Prep

DESIGNED BY: SM CHECKED BY: MAM

PREPARED BY:

ALLEN & MAJOR ASSOCIATES, INC.
 civil engineering • land surveying
 environmental consulting • landscape architecture
 www.allenmajor.com
 100 COMMERCE WAY, SUITE 5
 WOBURN MA 01801
 TEL: (781) 935-6889
 FAX: (781) 935-2896

WOBURN, MA • LAKEVILLE, MA • MANCHESTER, NH

THIS DRAWING HAS BEEN PREPARED IN ELECTRONIC FORMAT. CLIENTS REPRESENTATIVE OR CONSULTANT MAY BE PROVIDED COPIES OF DRAWINGS AND SPECIFICATIONS ON MAGNETIC MEDIA FOR HIS/HER INFORMATION AND USE FOR SPECIFIC APPLICATION TO THIS PROJECT. DUE TO THE POTENTIAL THAT THE MAGNETIC INFORMATION MAY BE MODIFIED UNINTENTIONALLY OR OTHERWISE, ALLEN & MAJOR ASSOCIATES, INC. MAY REMOVE ALL INDICATION OF THE DOCUMENT'S AUTHORSHIP ON THE MAGNETIC MEDIA. PRINTED REPRESENTATIONS OF THE DRAWINGS AND SPECIFICATIONS ISSUED SHALL BE THE ONLY RECORD COPIES OF ALLEN & MAJOR ASSOCIATES, INC.'S WORK PRODUCT.

DRAWING TITLE: SITE PREPARATION PLAN	SHEET No. C-101
Copyright © 2024 Allen & Major Associates, Inc. All Rights Reserved.	
04 OF 24	

R:\PROJECTS\1362-25\CIVIL\DRAWINGS\CURRENT\C-1362-25-SITE-PREP.DWG

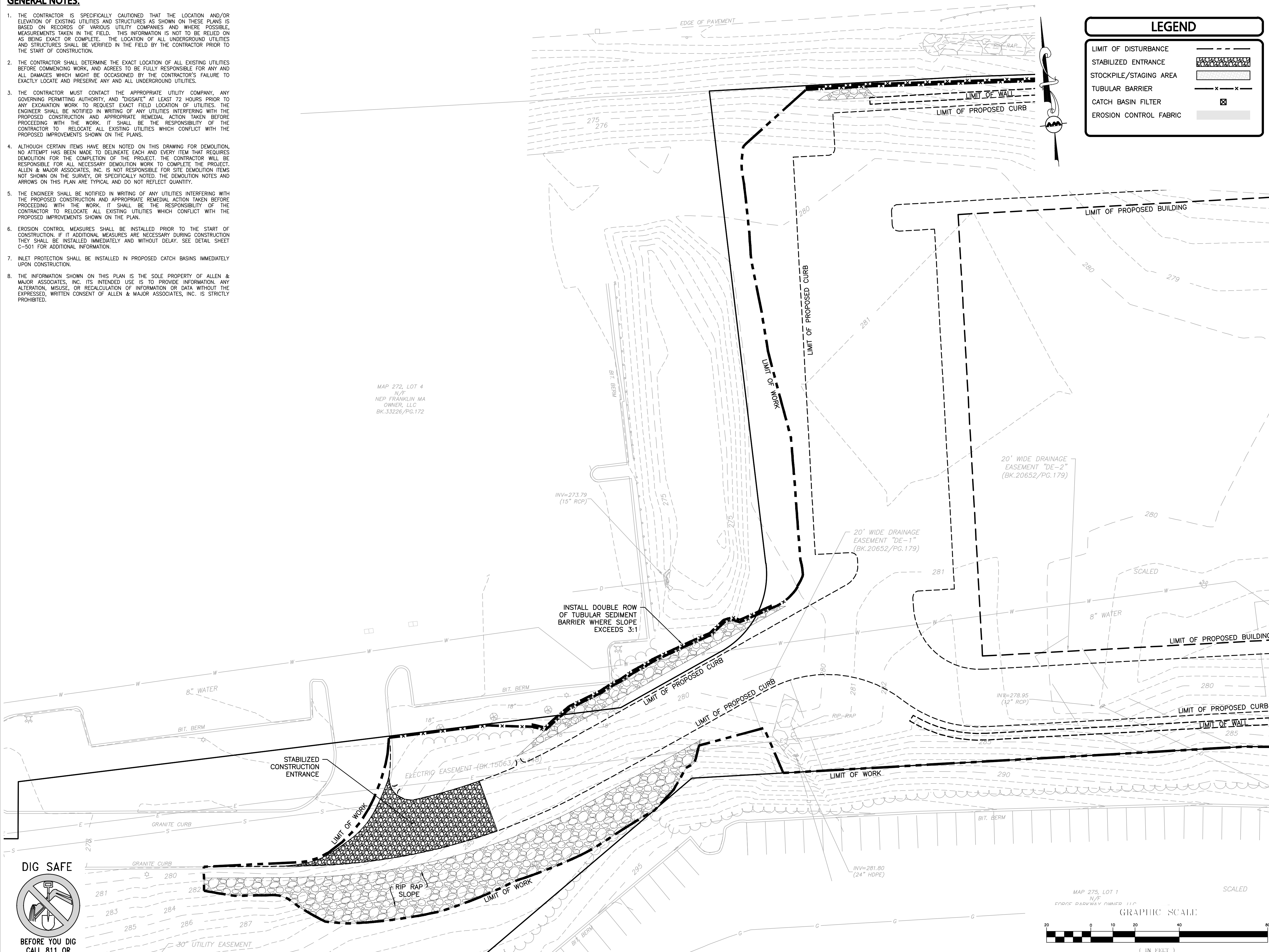
DIG SAFE

BEFORE YOU DIG
 CALL 811 OR
 1-888-DIG-SAFE
 1-888-344-7233

GENERAL NOTES:

1. THE CONTRACTOR IS SPECIFICALLY CAUTIONED THAT THE LOCATION AND/OR ELEVATION OF EXISTING UTILITIES AND STRUCTURES AS SHOWN ON THESE PLANS IS BASED ON RECORDS OF VARIOUS UTILITY COMPANIES AND WHERE POSSIBLE, MEASUREMENTS TAKEN IN THE FIELD. THIS INFORMATION IS NOT TO BE RELIED ON AS BEING EXACT OR COMPLETE. THE LOCATION OF ALL UNDERGROUND UTILITIES AND STRUCTURES SHALL BE VERIFIED IN THE FIELD BY THE CONTRACTOR PRIOR TO THE START OF CONSTRUCTION.
2. THE CONTRACTOR SHALL DETERMINE THE EXACT LOCATION OF ALL EXISTING UTILITIES BEFORE COMMENCING WORK, AND AGREES TO BE FULLY RESPONSIBLE FOR ANY AND ALL DAMAGES WHICH MIGHT BE OCCASIONED BY THE CONTRACTOR'S FAILURE TO EXACTLY LOCATE AND PRESERVE ANY AND ALL UNDERGROUND UTILITIES.
3. THE CONTRACTOR MUST CONTACT THE APPROPRIATE UTILITY COMPANY, ANY GOVERNING PERMITTING AUTHORITY, AND "DIGSAFE" AT LEAST 72 HOURS PRIOR TO ANY EXCAVATION WORK TO REQUEST EXACT FIELD LOCATION OF UTILITIES. THE ENGINEER SHALL BE NOTIFIED IN WRITING OF ANY UTILITIES INTERFERING WITH THE PROPOSED CONSTRUCTION AND APPROPRIATE REMEDIAL ACTION TAKEN BEFORE PROCEEDING WITH THE WORK. IT SHALL BE THE RESPONSIBILITY OF THE CONTRACTOR TO RELOCATE ALL EXISTING UTILITIES WHICH CONFLICT WITH THE PROPOSED IMPROVEMENTS SHOWN ON THE PLANS.
4. ALTHOUGH CERTAIN ITEMS HAVE BEEN NOTED ON THIS DRAWING FOR DEMOLITION, NO ATTEMPT HAS BEEN MADE TO DELINEATE EACH AND EVERY ITEM THAT REQUIRES DEMOLITION FOR THE COMPLETION OF THE PROJECT. THE CONTRACTOR WILL BE RESPONSIBLE FOR ALL NECESSARY DEMOLITION WORK TO COMPLETE THE PROJECT. ALLEN & MAJOR ASSOCIATES, INC. IS NOT RESPONSIBLE FOR SITE DEMOLITION ITEMS NOT SHOWN ON THE SURVEY, OR SPECIFICALLY NOTED. THE DEMOLITION NOTES AND ARROWS ON THIS PLAN ARE TYPICAL AND DO NOT REFLECT QUANTITY.
5. THE ENGINEER SHALL BE NOTIFIED IN WRITING OF ANY UTILITIES INTERFERING WITH THE PROPOSED CONSTRUCTION AND APPROPRIATE REMEDIAL ACTION TAKEN BEFORE PROCEEDING WITH THE WORK. IT SHALL BE THE RESPONSIBILITY OF THE CONTRACTOR TO RELOCATE ALL EXISTING UTILITIES WHICH CONFLICT WITH THE PROPOSED IMPROVEMENTS SHOWN ON THE PLAN.
6. EROSION CONTROL MEASURES SHALL BE INSTALLED PRIOR TO THE START OF CONSTRUCTION. IF IT ADDITIONAL MEASURES ARE NECESSARY DURING CONSTRUCTION THEY SHALL BE INSTALLED IMMEDIATELY AND WITHOUT DELAY. SEE DETAIL SHEET C-501 FOR ADDITIONAL INFORMATION.
7. INLET PROTECTION SHALL BE INSTALLED IN PROPOSED CATCH BASINS IMMEDIATELY UPON CONSTRUCTION.
8. THE INFORMATION SHOWN ON THIS PLAN IS THE SOLE PROPERTY OF ALLEN & MAJOR ASSOCIATES, INC. ITS INTENDED USE IS TO PROVIDE INFORMATION. ANY ALTERATION, MISUSE, OR RECALCULATION OF INFORMATION OR DATA WITHOUT THE EXPRESSED, WRITTEN CONSENT OF ALLEN & MAJOR ASSOCIATES, INC. IS STRICTLY PROHIBITED.

MAP 272, LOT 4
1/4 AC
NEP FRANKLIN MA
OWNER, LLC
BK.33226/PG.172



LEGEND

- LIMIT OF DISTURBANCE: - - - - -
- STABILIZED ENTRANCE: [Hatched pattern]
- STOCKPILE/STAGING AREA: [Cross-hatched pattern]
- TUBULAR BARRIER: - x - x -
- CATCH BASIN FILTER: [Square with X]
- EROSION CONTROL FABRIC: [Stippled pattern]



PROFESSIONAL ENGINEER FOR
ALLEN & MAJOR ASSOCIATES, INC.

REV	DATE	DESCRIPTION

APPLICANT/OWNER:
DONEGAL, LLC
PO BOX 4430
MANCHESTER, NH 03108

PROJECT:
PROPOSED INDUSTRIAL BUILDING
6 FORGE PARKWAY
FRANKLIN, MA
PARCEL ID: 272-005-000-000

PROJECT NO. 1362-25 DATE: 02-05-24

SCALE: 1" = 20' DWG.: C-1362-25_Site-Prep

DESIGNED BY: SM CHECKED BY: MAM

PREPARED BY:

ALLEN & MAJOR ASSOCIATES, INC.
civil engineering • land surveying
environmental consulting • landscape architecture
www.allenmajor.com
100 COMMERCE WAY, SUITE 5
WOBURN MA 01801
TEL: (781) 935-6889
FAX: (781) 935-2896

WOBURN, MA • LAKEVILLE, MA • MANCHESTER, NH

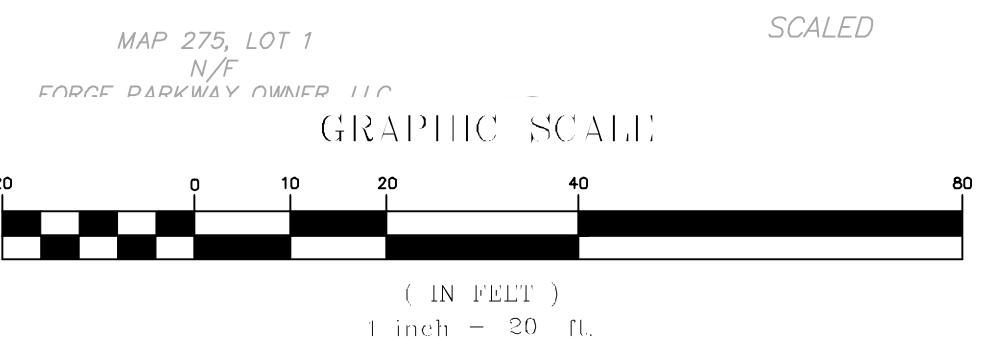
THIS DRAWING HAS BEEN PREPARED IN ELECTRONIC FORMAT. CLIENT/CUSTOMER'S REPRESENTATIVE OR CONSULTANT MAY BE PROVIDED COPIES OF DRAWINGS AND SPECIFICATIONS ON MAGNETIC MEDIA FOR HIS/HER INFORMATION AND USE FOR SPECIFIC APPLICATION TO THIS PROJECT. DUE TO THE POTENTIAL THAT THE MAGNETIC INFORMATION MAY BE MODIFIED UNINTENTIONALLY OR OTHERWISE, ALLEN & MAJOR ASSOCIATES, INC. MAY REMOVE ALL INDICATION OF THE DOCUMENT'S AUTHORSHIP ON THE MAGNETIC MEDIA. PRINTED REPRESENTATIONS OF THE DRAWINGS AND SPECIFICATIONS ISSUED SHALL BE THE ONLY RECORD COPIES OF ALLEN & MAJOR ASSOCIATES, INC.'S WORK PRODUCT.

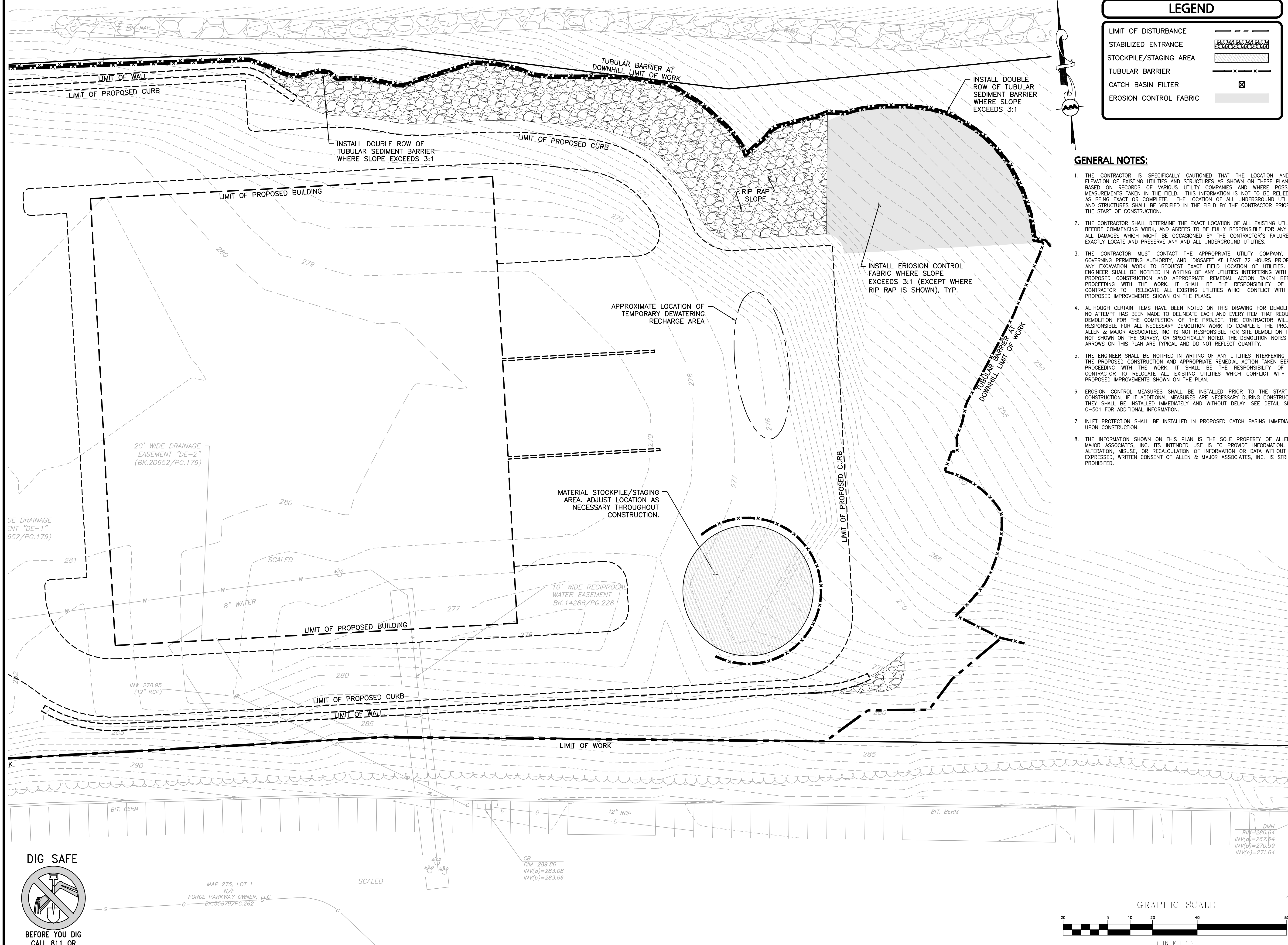
DRAWING TITLE: **SITE PREPARATION PLAN** SHEET No. **C-101A**

R:\PROJECTS\1362-25\CIVIL\DRAWINGS\CURRENT\C-1362-25_SITE-PREP.DWG

DIG SAFE

BEFORE YOU DIG
CALL 811 OR
1-888-DIG-SAFE
1-888-344-7233





LEGEND	
LIMIT OF DISTURBANCE	--- --
STABILIZED ENTRANCE	[Hatched Pattern]
STOCKPILE/STAGING AREA	[Diagonal Line Pattern]
TUBULAR BARRIER	-x-x-
CATCH BASIN FILTER	[Cross-hatch Pattern]
EROSION CONTROL FABRIC	[Stippled Pattern]

- GENERAL NOTES:**
1. THE CONTRACTOR IS SPECIFICALLY CAUTIONED THAT THE LOCATION AND/OR ELEVATION OF EXISTING UTILITIES AND STRUCTURES AS SHOWN ON THESE PLANS IS BASED ON RECORDS OF VARIOUS UTILITY COMPANIES AND WHERE POSSIBLE, MEASUREMENTS TAKEN IN THE FIELD. THIS INFORMATION IS NOT TO BE RELIED ON AS BEING EXACT OR COMPLETE. THE LOCATION OF ALL UNDERGROUND UTILITIES AND STRUCTURES SHALL BE VERIFIED IN THE FIELD BY THE CONTRACTOR PRIOR TO THE START OF CONSTRUCTION.
 2. THE CONTRACTOR SHALL DETERMINE THE EXACT LOCATION OF ALL EXISTING UTILITIES BEFORE COMMENCING WORK AND AGREES TO BE FULLY RESPONSIBLE FOR ANY AND ALL DAMAGES WHICH MIGHT BE OCCASIONED BY THE CONTRACTOR'S FAILURE TO EXACTLY LOCATE AND PRESERVE ANY AND ALL UNDERGROUND UTILITIES.
 3. THE CONTRACTOR MUST CONTACT THE APPROPRIATE UTILITY COMPANY, ANY GOVERNING PERMITTING AUTHORITY, AND "DIGSAFE" AT LEAST 72 HOURS PRIOR TO ANY EXCAVATION WORK TO REQUEST EXACT FIELD LOCATION OF UTILITIES. THE ENGINEER SHALL BE NOTIFIED IN WRITING OF ANY UTILITIES INTERFERING WITH THE PROPOSED CONSTRUCTION AND APPROPRIATE REMEDIAL ACTION TAKEN BEFORE PROCEEDING WITH THE WORK. IT SHALL BE THE RESPONSIBILITY OF THE CONTRACTOR TO RELOCATE ALL EXISTING UTILITIES WHICH CONFLICT WITH THE PROPOSED IMPROVEMENTS SHOWN ON THE PLANS.
 4. ALTHOUGH CERTAIN ITEMS HAVE BEEN NOTED ON THIS DRAWING FOR DEMOLITION, NO ATTEMPT HAS BEEN MADE TO DELINEATE EACH AND EVERY ITEM THAT REQUIRES DEMOLITION FOR THE COMPLETION OF THE PROJECT. THE CONTRACTOR WILL BE RESPONSIBLE FOR ALL NECESSARY DEMOLITION WORK TO COMPLETE THE PROJECT. ALLEN & MAJOR ASSOCIATES, INC. IS NOT RESPONSIBLE FOR SITE DEMOLITION ITEMS NOT SHOWN ON THE SURVEY, OR SPECIFICALLY NOTED. THE DEMOLITION NOTES AND ARROWS ON THIS PLAN ARE TYPICAL AND DO NOT REFLECT QUANTITY.
 5. THE ENGINEER SHALL BE NOTIFIED IN WRITING OF ANY UTILITIES INTERFERING WITH THE PROPOSED CONSTRUCTION AND APPROPRIATE REMEDIAL ACTION TAKEN BEFORE PROCEEDING WITH THE WORK. IT SHALL BE THE RESPONSIBILITY OF THE CONTRACTOR TO RELOCATE ALL EXISTING UTILITIES WHICH CONFLICT WITH THE PROPOSED IMPROVEMENTS SHOWN ON THE PLAN.
 6. EROSION CONTROL MEASURES SHALL BE INSTALLED PRIOR TO THE START OF CONSTRUCTION. IF IT ADDITIONAL MEASURES ARE NECESSARY DURING CONSTRUCTION THEY SHALL BE INSTALLED IMMEDIATELY AND WITHOUT DELAY. SEE DETAIL SHEET C-501 FOR ADDITIONAL INFORMATION.
 7. INLET PROTECTION SHALL BE INSTALLED IN PROPOSED CATCH BASINS IMMEDIATELY UPON CONSTRUCTION.
 8. THE INFORMATION SHOWN ON THIS PLAN IS THE SOLE PROPERTY OF ALLEN & MAJOR ASSOCIATES, INC. ITS INTENDED USE IS TO PROVIDE INFORMATION, ANY ALTERATION, MISUSE, OR RECALCULATION OF INFORMATION OR DATA WITHOUT THE EXPRESSED, WRITTEN CONSENT OF ALLEN & MAJOR ASSOCIATES, INC. IS STRICTLY PROHIBITED.



PROFESSIONAL ENGINEER FOR ALLEN & MAJOR ASSOCIATES, INC.

REV	DATE	DESCRIPTION

APPLICANT/OWNER:
DONEGAL, LLC
 PO BOX 4430
 MANCHESTER, NH 03108

PROJECT:
PROPOSED INDUSTRIAL BUILDING
 6 FORGE PARKWAY
 FRANKLIN, MA
 PARCEL ID: 272-005-000-000

PROJECT NO. 1362-25 DATE: 02-05-24
 SCALE: 1" = 20' DWG.: C-1362-25_Site-Prep
 DESIGNED BY: SM CHECKED BY: MAM



ALLEN & MAJOR ASSOCIATES, INC.

civil engineering • land surveying
 environmental consulting • landscape architecture
 www.allenmajor.com
 100 COMMERCE WAY, SUITE 5
 WOBURN MA 01801
 TEL: (781) 935-6889
 FAX: (781) 935-2896

WOBURN, MA • LAKEVILLE, MA • MANCHESTER, NH

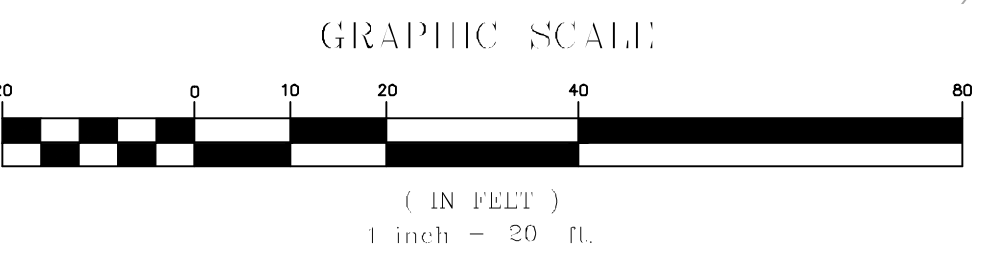
THIS DRAWING HAS BEEN PREPARED IN ELECTRONIC FORMAT. CLIENTS' REPRESENTATIVE OR CONSULTANT MAY BE PROVIDED COPIES OF DRAWINGS AND SPECIFICATIONS ON MAGNETIC MEDIA FOR HIS/HER INFORMATION AND USE FOR SPECIFIC APPLICATION TO THIS PROJECT. DUE TO THE POTENTIAL THAT THE MAGNETIC INFORMATION MAY BE MODIFIED UNINTENTIONALLY OR OTHERWISE, ALLEN & MAJOR ASSOCIATES, INC. MAY REMOVE ALL INDICATION OF THE DOCUMENT'S AUTHORSHIP ON THE MAGNETIC MEDIA. PRINTED REPRESENTATIONS OF THE DRAWINGS AND SPECIFICATIONS ISSUED SHALL BE THE ONLY RECORD COPIES OF ALLEN & MAJOR ASSOCIATES, INC.'S WORK PRODUCT.

DRAWING TITLE: SITE PREPARATION PLAN	SHEET No. C-101B
--	----------------------------

Copyright © 2024 Allen & Major Associates, Inc. All Rights Reserved. 06 OF 24

DIG SAFE

BEFORE YOU DIG
 CALL 811 OR
 1-888-DIG-SAFE
 1-888-344-7233



R:\PROJECTS\1362-25\CIVIL DRAWINGS\CURRENT\C-1362-25-SITE-PREP.DWG

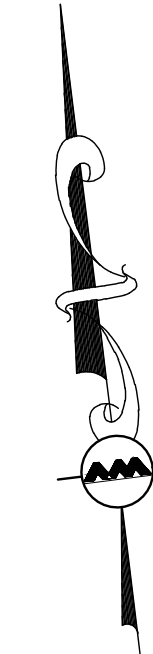
NOTES:

- ALL CURB RADII SHALL BE 3' UNLESS OTHERWISE NOTED.
- PARKING DIMENSIONS ARE TAKEN FROM THE FACE OF CURB UNLESS OTHERWISE NOTED.
- CONSTRUCTION DURING WET WEATHER OR WINTER CONDITIONS IS TO BE ANTICIPATED AND PROVISIONS TO ADEQUATELY ADDRESS THESE CONDITIONS SHALL BE THE RESPONSIBILITY OF THE CONTRACTOR.
- ALL CONSTRUCTION SHALL CONFORM TO THE APPLICABLE REGULATIONS AND STANDARDS INCLUDING THE TOWN OF FRANKLIN, MADOT, MADEP, MUTCD, AND AASHTO.
- WRITTEN DIMENSIONS ON THIS PLAN TAKE PRECEDENCE OVER SCALED DIMENSIONS. THE CONTRACTOR SHALL USE CAUTION WHEN SCALING REPRODUCED PLANS. IN THE EVENT OF A CONFLICT BETWEEN THIS PLAN SET AND ANY OTHER DRAWINGS AND/OR SPECIFICATIONS OR CONDITIONS, THE ENGINEER SHALL BE NOTIFIED BY THE CONTRACTOR. ALL SITE ITEMS SHALL BE LAID OUT AND AS BUILT BY A LICENSED LAND SURVEYOR.
- EXISTING CONDITIONS WERE COMPILED FROM AN ON THE GROUND SURVEY PERFORMED BY ALLEN & MAJOR ASSOCIATES, INC. AS WELL AS AVAILABLE RECORD PLANS OBTAINED FROM THE TOWN OF FRANKLIN, MA AND OTHER SOURCES.
- THE CONTRACTOR MUST CONTACT THE APPROPRIATE UTILITY COMPANY, ANY GOVERNING PERMITTING AUTHORITY, AND "DIGSAFE" AT LEAST 72 HOURS PRIOR TO ANY EXCAVATION WORK. THE CONTRACTOR SHALL ALSO CONTACT THE TOWN OF FRANKLIN, MA DEPARTMENT OF PUBLIC WORKS AT LEAST 72 HOURS PRIOR TO ANY EXCAVATION WORK TO REQUEST EXACT FIELD LOCATION OF LOCAL UTILITIES.
- THE INFORMATION SHOWN ON THIS PLAN IS THE SOLE PROPERTY OF ALLEN & MAJOR ASSOCIATES, INC. ANY ALTERATION, MISUSE, OR RECALCULATION OF INFORMATION OR DATA WITHOUT THE EXPRESSED, WRITTEN CONSENT OF ALLEN & MAJOR ASSOCIATES, INC. IS STRICTLY PROHIBITED.

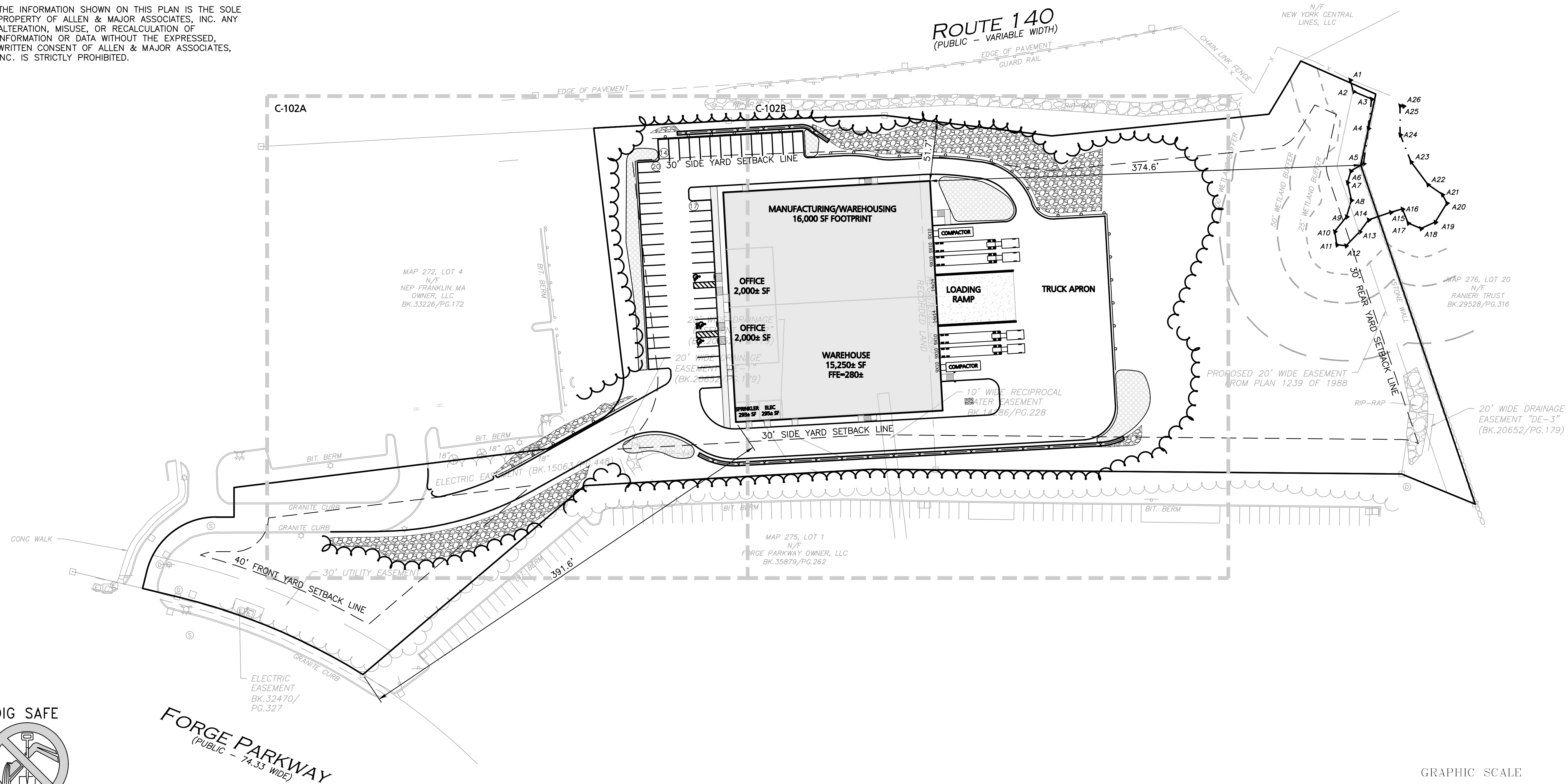
TOWN OF FRANKLIN INDUSTRIAL (I) DISTRICT		
ITEM	REQUIRED	PROPOSED
MINIMUM LOT AREA	40,000 SF	257,317 SF
MINIMUM CONTINUOUS FRONTAGE	175 FEET	206.7 FEET
MINIMUM LOT DEPTH	200 FEET	902.1 FEET
MINIMUM LOT WIDTH	157.5 FEET	43.6 FEET
MINIMUM FRONT SETBACK	40 FEET	391.6 FEET
MINIMUM SIDE SETBACK	30 FEET	51.7 FEET
MINIMUM REAR SETBACK	30 FEET	374.6 FEET
MAXIMUM BUILDING STORIES	3	TBD
MAXIMUM BUILDING HEIGHT	N/A	TBD
MAXIMUM STRUCTURE COVERAGE	70%	14.0%
MAXIMUM IMPERVIOUS COVERAGE	80%	40.2%

OFF-STREET PARKING AND LOADING SUMMARY TABLE		
USE: WAREHOUSE OFFICE: 6,000 SF	REQUIRED	
1 SPACES PER 400 SQUARE FEET	10.0	PARKING SPACES
4,000 SF / 400 = 10.0 SPACES		
USE: WAREHOUSE: 31,250 SQUARE FEET		
1 SPACE REQUIRED PER 1,000 SQUARE FEET	31.3	PARKING SPACES
31,250 SF / 1,000 = 31.3 SPACES		
TOTAL REQUIRED PARKING = 41 PARKING SPACES		
ACCESSIBLE PARKING SPACE REQUIREMENT: FOR 51 TO 75 SPACES, 3 SHALL BE ACCESSIBLE, 1 SHALL BE VAN ACCESSIBLE)		
	3	ADA SPACES
TOTAL PARKING PROVIDED: 51 PARKING SPACES		
STANDARD	ACCESSIBLE	
49	3	

TABLE NOTES:
1. PROPOSED PARKING SPACES SHALL BE A MINIMUM OF 9 FEET IN WIDTH AND 19 FEET IN DEPTH FOR 90° PARKING.



LEGEND	
PROPERTY LINE	---
SIGN	—
BOLLARD	•
BUILDING	[Symbol]
BUILDING ARCHITECTURE	[Symbol]
CURB	—
RETAINING WALL	[Symbol]
PARKING STRIPING	[Symbol]
HEAVY DUTY CONCRETE	[Symbol]
SIDEWALK	[Symbol]
ADA ACCESSIBLE RAMP	[Symbol]
RIPRAP	[Symbol]
SNOW STORAGE	[Symbol]
SETBACK LINE	---
PARKING COUNT	(10)
STEEL GUARDRAIL	—
CHAIN LINK FENCE	—
TREE LINE	—
TRANSFORMER	[Symbol]
PRECAST CONCRETE CURB	PCC



PROFESSIONAL ENGINEER FOR ALLEN & MAJOR ASSOCIATES, INC.

REV	DATE	DESCRIPTION

APPLICANT/OWNER:
DONEGAL, LLC
PO BOX 4430
MANCHESTER, NH 03108

PROJECT:
PROPOSED INDUSTRIAL BUILDING
6 FORGE PARKWAY
FRANKLIN, MA
PARCEL ID: 272-005-000-000

PROJECT NO. 1362-25 DATE: 02-05-24

SCALE: 1" = 50' DWG.: C1362-25_Layout & Materials

DESIGNED BY: SM CHECKED BY: MAM

PREPARED BY:



ALLEN & MAJOR ASSOCIATES, INC.
civil engineering • land surveying
environmental consulting • landscape architecture
www.allenmajor.com
100 COMMERCE WAY, SUITE 5
WOBURN MA 01801
TEL: (781) 935-6889
FAX: (781) 935-2896

WOBURN, MA • LAKEVILLE, MA • MANCHESTER, NH
THIS DRAWING HAS BEEN PREPARED IN ELECTRONIC FORMAT. CLIENT/CUSTOMER'S REPRESENTATIVE OR CONSULTANT, MAY BE PROVIDED COPIES OF DRAWINGS AND SPECIFICATIONS ON MAGNETIC MEDIA FOR HIS/HER INFORMATION AND USE FOR SPECIFIC APPLICATION TO THIS PROJECT. DUE TO THE POTENTIAL THAT THE MAGNETIC INFORMATION MAY BE MODIFIED UNINTENTIONALLY OR OTHERWISE, ALLEN & MAJOR ASSOCIATES, INC. MAY REMOVE ALL INDICATION OF THE DOCUMENT'S AUTHORSHIP ON THE MAGNETIC MEDIA. PRINTED REPRESENTATIONS OF THE DRAWINGS AND SPECIFICATIONS ISSUED SHALL BE THE ONLY RECORD COPIES OF ALLEN & MAJOR ASSOCIATES, INC.'S WORK PRODUCT.

DRAWING TITLE: SHEET No.

OVERALL LAYOUT & MATERIALS PLAN C-102

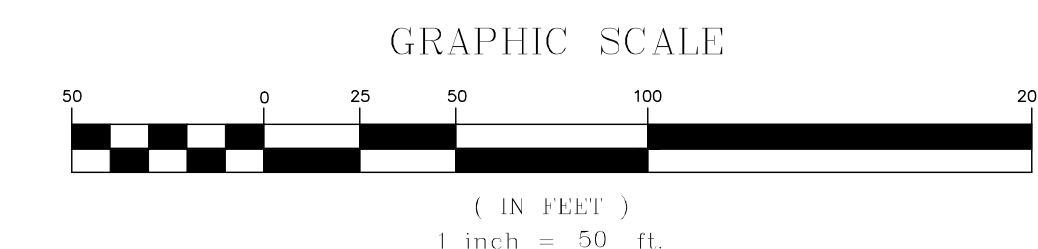
Copyright © 2024 Allen & Major Associates, Inc. All Rights Reserved. 07 OF 24

DIG SAFE



BEFORE YOU DIG
CALL 811 OR
1-888-DIG-SAFE
1-888-344-7233

FORGE PARKWAY
(PUBLIC - 74.33' WIDE)



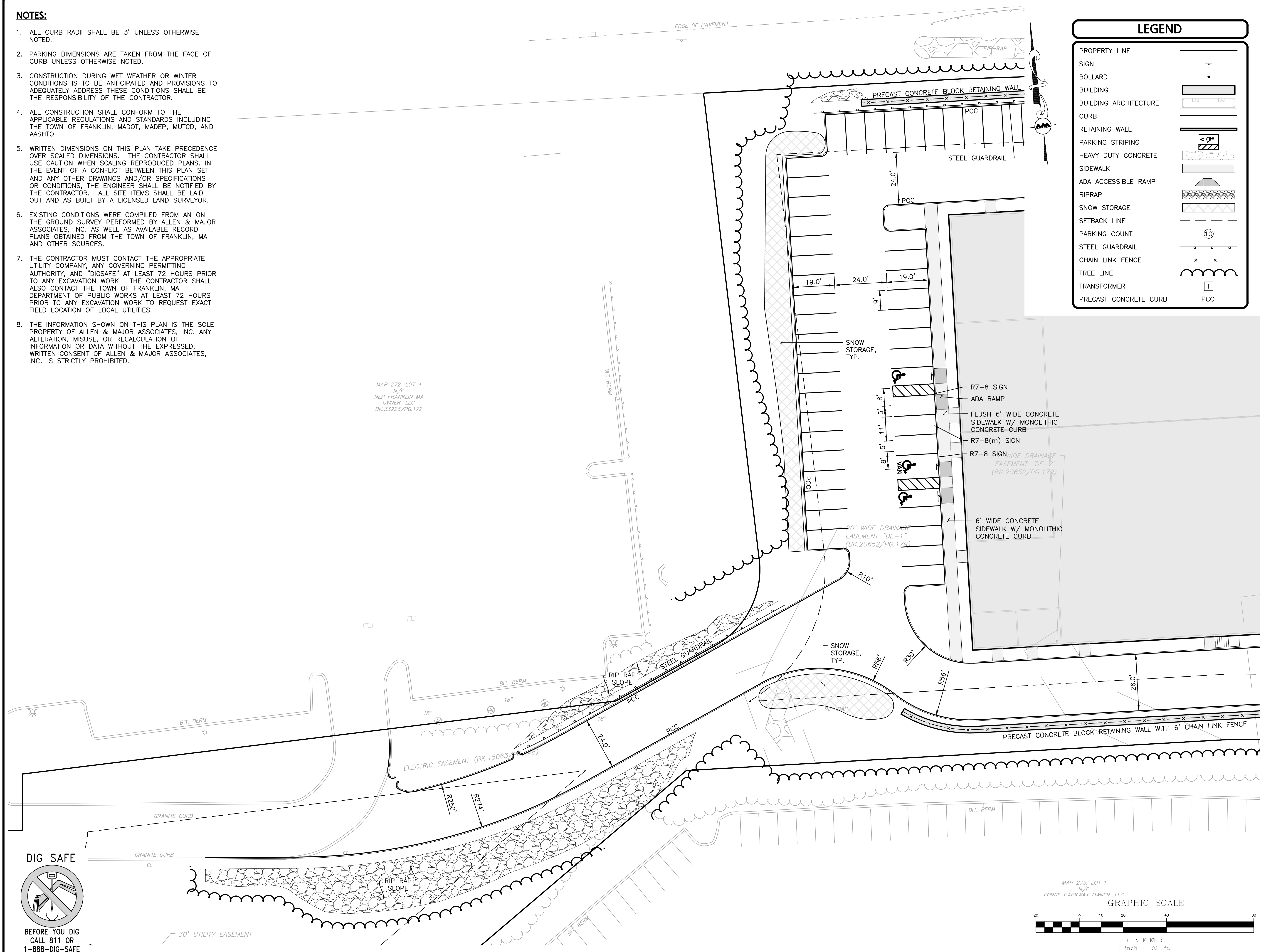
NOTES:

1. ALL CURB RADII SHALL BE 3' UNLESS OTHERWISE NOTED.
2. PARKING DIMENSIONS ARE TAKEN FROM THE FACE OF CURB UNLESS OTHERWISE NOTED.
3. CONSTRUCTION DURING WET WEATHER OR WINTER CONDITIONS IS TO BE ANTICIPATED AND PROVISIONS TO ADEQUATELY ADDRESS THESE CONDITIONS SHALL BE THE RESPONSIBILITY OF THE CONTRACTOR.
4. ALL CONSTRUCTION SHALL CONFORM TO THE APPLICABLE REGULATIONS AND STANDARDS INCLUDING THE TOWN OF FRANKLIN, MADOT, MADEP, MUTCD, AND AASHTO.
5. WRITTEN DIMENSIONS ON THIS PLAN TAKE PRECEDENCE OVER SCALED DIMENSIONS. THE CONTRACTOR SHALL USE CAUTION WHEN SCALING REPRODUCED PLANS. IN THE EVENT OF A CONFLICT BETWEEN THIS PLAN SET AND ANY OTHER DRAWINGS AND/OR SPECIFICATIONS OR CONDITIONS, THE ENGINEER SHALL BE NOTIFIED BY THE CONTRACTOR. ALL SITE ITEMS SHALL BE LAID OUT AND AS BUILT BY A LICENSED LAND SURVEYOR.
6. EXISTING CONDITIONS WERE COMPILED FROM AN ON THE GROUND SURVEY PERFORMED BY ALLEN & MAJOR ASSOCIATES, INC. AS WELL AS AVAILABLE RECORD PLANS OBTAINED FROM THE TOWN OF FRANKLIN, MA AND OTHER SOURCES.
7. THE CONTRACTOR MUST CONTACT THE APPROPRIATE UTILITY COMPANY, ANY GOVERNING PERMITTING AUTHORITY, AND "DIGSAFE" AT LEAST 72 HOURS PRIOR TO ANY EXCAVATION WORK. THE CONTRACTOR SHALL ALSO CONTACT THE TOWN OF FRANKLIN, MA DEPARTMENT OF PUBLIC WORKS AT LEAST 72 HOURS PRIOR TO ANY EXCAVATION WORK TO REQUEST EXACT FIELD LOCATION OF LOCAL UTILITIES.
8. THE INFORMATION SHOWN ON THIS PLAN IS THE SOLE PROPERTY OF ALLEN & MAJOR ASSOCIATES, INC. ANY ALTERATION, MISUSE, OR RECALCULATION OF INFORMATION OR DATA WITHOUT THE EXPRESSED, WRITTEN CONSENT OF ALLEN & MAJOR ASSOCIATES, INC. IS STRICTLY PROHIBITED.

MAP 272, LOT 4
N/4
NEP FRANKLIN MA
OWNER, LLC
BK.33226/PG.172

LEGEND

PROPERTY LINE	---
SIGN	—
BOLLARD	•
BUILDING	▭
BUILDING ARCHITECTURE	▭
CURB	—
RETAINING WALL	—
PARKING STRIPING	—
HEAVY DUTY CONCRETE	▨
SIDEWALK	▨
ADA ACCESSIBLE RAMP	▭
RIPRAP	▨
SNOW STORAGE	▨
SETBACK LINE	—
PARKING COUNT	10
STEEL GUARDRAIL	—
CHAIN LINK FENCE	—
TREE LINE	—
TRANSFORMER	⊠
PRECAST CONCRETE CURB	PCC



PROFESSIONAL ENGINEER FOR
ALLEN & MAJOR ASSOCIATES, INC.

REV	DATE	DESCRIPTION

APPLICANT/OWNER:

DONEGAL, LLC
PO BOX 4430
MANCHESTER, NH 03108

PROJECT:
PROPOSED INDUSTRIAL BUILDING
6 FORGE PARKWAY
FRANKLIN, MA
PARCEL ID: 272-005-000-000

PROJECT NO. 1362-25 DATE: 02-05-24

SCALE: 1" = 20' DWG.: C1362-25_Layout & Materials

DESIGNED BY: SM CHECKED BY: MAM

PREPARED BY:

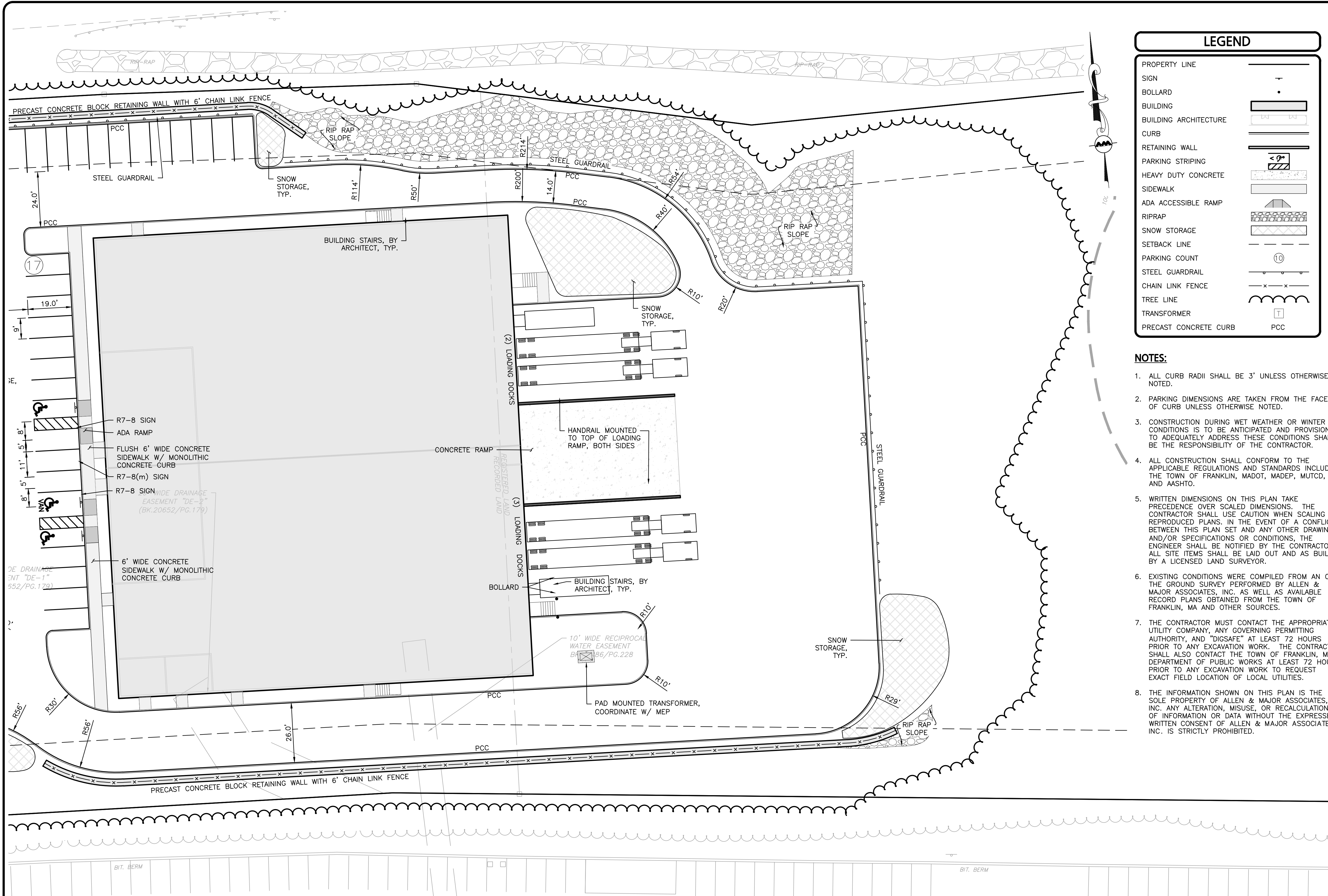
ALLEN & MAJOR ASSOCIATES, INC.
civil engineering • land surveying
environmental consulting • landscape architecture
www.allenmajor.com
100 COMMERCE WAY, SUITE 5
WOUBURN MA 01801
TEL: (781) 935-6889
FAX: (781) 935-2896

WOBURN, MA • LAKEVILLE, MA • MANCHESTER, NH

THIS DRAWING HAS BEEN PREPARED IN ELECTRONIC FORMAT. CLIENT/CUSTOMER'S REPRESENTATIVE OR CONSULTANT MAY BE PROVIDED COPIES OF DRAWINGS AND SPECIFICATIONS ON MAGNETIC MEDIA FOR HIS/HER INFORMATION AND USE FOR SPECIFIC APPLICATION TO THIS PROJECT. DUE TO THE POTENTIAL THAT THE MAGNETIC INFORMATION MAY BE MODIFIED UNINTENTIONALLY OR OTHERWISE, ALLEN & MAJOR ASSOCIATES, INC. MAY REMOVE ALL INDICATION OF THE DOCUMENT'S AUTHORSHIP ON THE MAGNETIC MEDIA. PRINTED REPRESENTATIONS OF THE DRAWINGS AND SPECIFICATIONS ISSUED SHALL BE THE ONLY RECORD COPIES OF ALLEN & MAJOR ASSOCIATES, INC.'S WORK PRODUCT.

DRAWING TITLE: LAYOUT & MATERIALS PLAN SHEET No. C-102A

R:\PROJECTS\1362-25\CIVIL DRAWINGS\CURRENT\1362-25_LAYOUT & MATERIALS.DWG



LEGEND

PROPERTY LINE	---
SIGN	—
BOLLARD	•
BUILDING	▭
BUILDING ARCHITECTURE	▭ (with texture)
CURB	▬
RETAINING WALL	▬ (with texture)
PARKING STRIPING	▬ (with lines)
HEAVY DUTY CONCRETE	▬ (with dots)
SIDEWALK	▬ (with lines)
ADA ACCESSIBLE RAMP	▬ (with triangle)
RIPRAP	▬ (with circles)
SNOW STORAGE	▬ (with cross-hatch)
SETBACK LINE	---
PARKING COUNT	⊙
STEEL GUARDRAIL	▬ (with vertical lines)
CHAIN LINK FENCE	▬ (with 'x' marks)
TREE LINE	▬ (with wavy lines)
TRANSFORMER	⊠
PRECAST CONCRETE CURB	PCC

NOTES:

- ALL CURB RADII SHALL BE 3' UNLESS OTHERWISE NOTED.
- PARKING DIMENSIONS ARE TAKEN FROM THE FACE OF CURB UNLESS OTHERWISE NOTED.
- CONSTRUCTION DURING WET WEATHER OR WINTER CONDITIONS IS TO BE ANTICIPATED AND PROVISIONS TO ADEQUATELY ADDRESS THESE CONDITIONS SHALL BE THE RESPONSIBILITY OF THE CONTRACTOR.
- ALL CONSTRUCTION SHALL CONFORM TO THE APPLICABLE REGULATIONS AND STANDARDS INCLUDING THE TOWN OF FRANKLIN, MADOT, MADEP, MUTCD, AND AASHTO.
- WRITTEN DIMENSIONS ON THIS PLAN TAKE PRECEDENCE OVER SCALED DIMENSIONS. THE CONTRACTOR SHALL USE CAUTION WHEN SCALING REPRODUCED PLANS. IN THE EVENT OF A CONFLICT BETWEEN THIS PLAN SET AND ANY OTHER DRAWINGS AND/OR SPECIFICATIONS OR CONDITIONS, THE ENGINEER SHALL BE NOTIFIED BY THE CONTRACTOR. ALL SITE ITEMS SHALL BE LAID OUT AND AS BUILT BY A LICENSED LAND SURVEYOR.
- EXISTING CONDITIONS WERE COMPILED FROM AN ON THE GROUND SURVEY PERFORMED BY ALLEN & MAJOR ASSOCIATES, INC. AS WELL AS AVAILABLE RECORD PLANS OBTAINED FROM THE TOWN OF FRANKLIN, MA AND OTHER SOURCES.
- THE CONTRACTOR MUST CONTACT THE APPROPRIATE UTILITY COMPANY, ANY GOVERNING PERMITTING AUTHORITY, AND "DIGSAFE" AT LEAST 72 HOURS PRIOR TO ANY EXCAVATION WORK. THE CONTRACTOR SHALL ALSO CONTACT THE TOWN OF FRANKLIN, MA DEPARTMENT OF PUBLIC WORKS AT LEAST 72 HOURS PRIOR TO ANY EXCAVATION WORK TO REQUEST EXACT FIELD LOCATION OF LOCAL UTILITIES.
- THE INFORMATION SHOWN ON THIS PLAN IS THE SOLE PROPERTY OF ALLEN & MAJOR ASSOCIATES, INC. ANY ALTERATION, MISUSE, OR RECALCULATION OF INFORMATION OR DATA WITHOUT THE EXPRESSED, WRITTEN CONSENT OF ALLEN & MAJOR ASSOCIATES, INC. IS STRICTLY PROHIBITED.



PROFESSIONAL ENGINEER FOR ALLEN & MAJOR ASSOCIATES, INC.

REV	DATE	DESCRIPTION

APPLICANT/OWNER:
DONEGAL, LLC
PO BOX 4430
MANCHESTER, NH 03108

PROJECT:
PROPOSED INDUSTRIAL BUILDING
6 FORGE PARKWAY
FRANKLIN, MA
PARCEL ID: 272-005-000-000

PROJECT NO. 1362-25 DATE: 02-05-24

SCALE: 1" = 20' DWG.: C1362-25_Layout & Materials

DESIGNED BY: SM CHECKED BY: MAM

PREPARED BY:

ALLEN & MAJOR ASSOCIATES, INC.
civil engineering • land surveying
environmental consulting • landscape architecture
www.allenmajor.com
100 COMMERCE WAY, SUITE 5
WOBURN MA 01801
TEL: (781) 935-6889
FAX: (781) 935-2896
WOBURN, MA • LAKEVILLE, MA • MANCHESTER, NH

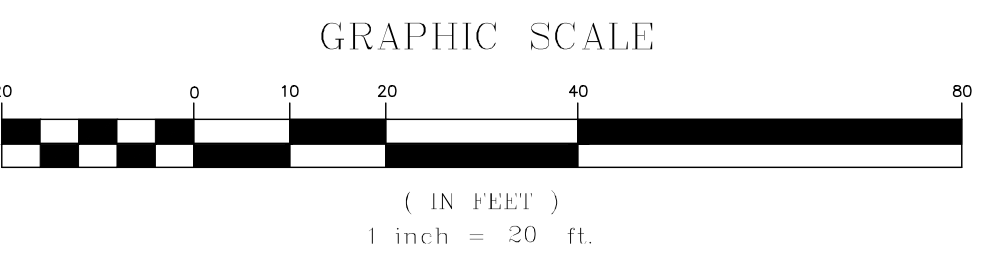
THIS DRAWING HAS BEEN PREPARED IN ELECTRONIC FORMAT. CLIENT/CUSTOMER'S REPRESENTATIVE OR CONSULTANT, MAY BE PROVIDED COPIES OF DRAWINGS AND SPECIFICATIONS ON MAGNETIC MEDIA FOR HIS/HER INFORMATION AND USE FOR SPECIFIC APPLICATION TO THIS PROJECT. DUE TO THE POTENTIAL THAT THE MAGNETIC INFORMATION MAY BE MODIFIED UNINTENTIONALLY OR OTHERWISE, ALLEN & MAJOR ASSOCIATES, INC. MAY REMOVE ALL INDICATION OF THE DOCUMENT'S AUTHORSHIP ON THE MAGNETIC MEDIA. PRINTED REPRESENTATIONS OF THE DRAWINGS AND SPECIFICATIONS ISSUED SHALL BE THE ONLY RECORD COPIES OF ALLEN & MAJOR ASSOCIATES, INC.'S WORK PRODUCT.

DRAWING TITLE: LAYOUT & MATERIALS PLAN SHEET No. C-102B

Copyright ©2024 Allen & Major Associates, Inc. All Rights Reserved. 09 OF 24

DIG SAFE
BEFORE YOU DIG
CALL 811 OR
1-888-DIG-SAFE
1-888-344-7233

MAP 275, LOT 1
N/A
FORGE PARKWAY OWNER, LLC
BK. 35879/PG. 262



R:\PROJECTS\1362-25\CIVIL DRAWINGS\CURRENT\0-1362-25_LAYOUT & MATERIALS.DWG

GRADING & DRAINAGE NOTES:

- ALL CONSTRUCTION SHALL CONFORM TO THE APPLICABLE REGULATIONS AND STANDARDS INCLUDING THE TOWN OF FRANKLIN, MDOT, MADEP, MUTCD, AND ASHSTO.
- THE CONTRACTOR IS SOLELY RESPONSIBLE FOR THE MEANS AND METHODS OF CONSTRUCTION AND FOR CONDITIONS AT THE SITE. THESE PLANS, PREPARED BY ALLEN & MAJOR ASSOCIATES DO NOT EXTEND TO OR INCLUDE SYSTEMS PERTAINING TO THE SAFETY OF THE CONSTRUCTION CONTRACTOR OR THEIR EMPLOYEES, AGENTS OR REPRESENTATIVES IN THE PERFORMANCE OF THE WORK, OR THE OWNER'S EMPLOYEES, CUSTOMERS, OR THE GENERAL PUBLIC. THE SEAL OF THE ENGINEER AS INCLUDED IN THE PLAN SET DOES NOT EXTEND TO ANY SUCH SAFETY SYSTEMS THAT MAY NOW OR HEREAFTER BE INCORPORATED INTO THESE PLANS. THE CONSTRUCTION CONTRACTOR SHALL PROVIDE THE APPROPRIATE SAFETY SYSTEMS WHICH MAY BE REQUIRED BY THE BY THE US OCCUPATIONAL SAFETY AND HEALTH ADMINISTRATION (OSHA) AND/OR LOCAL REGULATIONS.
- ALL ELEVATIONS REFER TO NAVD 88.
- PIPE DIMENSIONS ARE MEASURED FROM THE INSIDE FACE OF THE STRUCTURE.
- THE INFORMATION SHOWN ON THIS PLAN IS THE SOLE PROPERTY OF ALLEN & MAJOR ASSOCIATES, INC. ITS INTENDED USE IS TO PROVIDE INFORMATION, ANY ALTERATION, MISUSE, OR RECALCULATION OF INFORMATION OR DATA WITHOUT THE EXPRESSED, WRITTEN CONSENT OF ALLEN & MAJOR ASSOCIATES, INC. IS STRICTLY PROHIBITED.
- CONTRACTOR IS RESPONSIBLE FOR DEMOLITION OF EXISTING STRUCTURES INCLUDING REMOVAL OF ANY EXISTING UTILITIES SERVING THE STRUCTURE. UTILITIES ARE TO BE REMOVED TO THE RIGHT-OF-WAY.
- ALL CUT OR FILL SLOPES SHALL BE 3:1 OR FLATTER UNLESS OTHERWISE NOTED. AT NO TIME SHALL CUT OF FILL SLOPES EXCEED 2:1.
- EXISTING AND PROPOSED GRADE CONTOUR INTERVALS SHOWN AT 2 FOOT
- ROOF DRAINS SHALL CONNECT TO NEAREST DRAIN STRUCTURE. REFER TO ARCHITECTURAL PLANS FOR EXACT LOCATIONS.
- IF ANY EXISTING STRUCTURES TO REMAIN ARE DAMAGED DURING CONSTRUCTION IT SHALL BE THE CONTRACTOR'S RESPONSIBILITY TO REPAIR AND/OR REPLACE THE EXISTING STRUCTURE AS NECESSARY TO RETURN IT TO EXISTING CONDITIONS OR BETTER.
- ALL STORM PIPE ENTERING STRUCTURES SHALL BE GROUTED TO ASSURE CONNECTION AT STRUCTURE IS WATERTIGHT.
- ALL STORM SEWER MANHOLES IN PAVED AREAS SHALL BE FLUSH WITH PAVEMENT AND SHALL HAVE TRAFFIC BEARING RING & COVERS, H=20 MINIMUM. MANHOLES IN UNPAVED AREAS SHALL BE 6" ABOVE FINISH GRADE. LIDS SHALL BE LABELED "DRAIN".
- THE CONTRACTOR SHALL ADHERE TO ALL TERMS & CONDITIONS AS OUTLINED IN THE GENERAL N.P.D.E.S. PERMIT FOR STORMWATER DISCHARGE ASSOCIATED WITH CONSTRUCTION ACTIVITIES.
- CONTRACTOR SHALL ADJUST AND/OR CUT EXISTING PAVEMENT AS NECESSARY TO ASSURE A SMOOTH FIT AND CONTINUOUS GRADE.
- CONTRACTOR SHALL ASSURE POSITIVE DRAINAGE AWAY FROM BUILDINGS FOR ALL NATURAL AND PAVED AREAS.
- ALL UNSURFACED AREAS DISTURBED BY GRADING OPERATION SHALL RECEIVE 4 INCHES OF TOPSOIL. CONTRACTOR SHALL APPLY STABILIZATION FABRIC TO ALL SLOPES 3H:1V OR STEEPER. CONTRACTOR SHALL GRASS DISTURBED AREAS IN ACCORDANCE WITH COUNTY SPECIFICATIONS UNTIL A HEALTHY STAND OF GRASS IS OBTAINED.
- ALL CATCH BASINS ON-SITE SHALL BE EQUIPPED WITH HOODS AND 4 FOOT SUMPS AND SHALL CONFORM TO LOCAL DRAINAGE REQUIREMENTS.
- ALL DRAINAGE SHALL CONFORM TO LOCAL AND MADEP REQUIREMENTS.
- PRIOR TO CONSTRUCTION OF IMPERVIOUS AREAS, ALL DRAINAGE STRUCTURES, PIPES AND BASINS SHALL BE INSTALLED AND INSPECTED FOR PROPER FUNCTION.
- IT IS THE RESPONSIBILITY OF THE CONTRACTOR TO REVIEW ALL DRAWINGS AND SPECIFICATIONS ASSOCIATED WITH THE PROJECT WORK SCOPE PRIOR TO THE START OF CONSTRUCTION. SHOULD THE CONTRACTOR FIND A CONFLICT WITH THE DRAWINGS, SPECIFICATIONS, OR RELATIVE CODES, IT IS THE RESPONSIBILITY OF THE CONTRACTOR TO NOTIFY THE ENGINEER AND/OR ARCHITECT PRIOR TO START OF CONSTRUCTION. FAILURE BY THE CONTRACTOR TO NOTIFY THE ENGINEER AND/OR ARCHITECT SHALL CONSTITUTE ACCEPTANCE OF FULL RESPONSIBILITY BY THE CONTRACTOR TO COMPLETE THE SCOPE OF WORK AND/OR DESIGN INTENT OF THE DRAWINGS AND IN FULL COMPLIANCE WITH LOCAL REGULATIONS AND CODES.
- THE DESIGN ENGINEER WAIVES ANY AND ALL RESPONSIBILITY AND LIABILITY FOR PROBLEMS WHICH ARISE FROM FAILURE TO FOLLOW THESE PLANS, SPECIFICATIONS, AND/OR THE DESIGN INTENT THEY CONVEY, OR FOR PROBLEMS WHICH ARISE FROM OTHERS' FAILURE TO OBTAIN AND/OR FOLLOW THE GUIDANCE OF THE DESIGN ENGINEER WITH RESPECT TO ANY ERRORS, OMISSIONS, INCONSISTENCIES, AMBIGUITIES, OR CONFLICTS WHICH ARE DISCOVERED OR ALLEGED.
- THE PROJECT RESULTS IN A NET IMPORT OF APPROXIMATELY 1,200 CUBIC YARDS OF MATERIAL THIS VALUE DOES NOT INCLUDE EXCAVATION REQUIRED FOR BUILDING FOUNDATION, UTILITIES, OR STORMWATER INFRASTRUCTURE.
- PRIOR TO CONSTRUCTION, ONE ADDITIONAL TEST PIT SHALL BE PERFORMED WITHIN THE FOOTPRINT OF THE PROPOSED BIORETENTION SYSTEM TO CONFIRM SEPARATION TO ESTIMATED SEASONAL HIGH GROUND WATER. THE TEST PIT SHALL BE OBSERVED BY THE ENGINEER OF RECORD.
- GRADING MAY BE REQUIRED ON THE ABUTTING PARCELS WHICH MAY REQUIRE A TEMPORARY CONSTRUCTION EASEMENT.

GEO-TP-1
EXISTING GROUND ELEVATION: 276.7
PERFORMED BY: HKC, GEOENGINEERS
DATE: 11-15-2023

DEPTH	CLASS	NOTES
0-1'	TS	DARK BROWN SILTY FINE TO MEDIUM SAND WITH TRACE GRAVEL AND ROOTS (MOIST) (TOPSOIL)
1-2'	SP-SM	BROWN FINE TO MEDIUM SAND WITH SILT, GRAVEL, ROOTS (MOIST)
2-9.5'	SM	BROWN SILTY FINE TO MEDIUM SAND WITH GRAVEL AND COBBLES (MOIST) (GLACIAL TILL) WITH ORANGE REDOX FEATURES @ 5'

ESHW: 5.0' BELOW GRADE (ELEVATION 271.7)
WEEP: NONE
BEDROCK/REFUSAL: 9.5' BELOW GRADE, PROBABLE BOULDER

GEO-TP-5
EXISTING GROUND ELEVATION: 272.0
PERFORMED BY: HKC, GEOENGINEERS
DATE: 11-16-2023

DEPTH	CLASS	NOTES
0-1'	TS	DARK BROWN SILTY FINE TO MEDIUM SAND WITH TRACE GRAVEL AND ROOTS (MOIST) (TOPSOIL)
1-2'	SP-SM	ORANGE BROWN FINE TO MEDIUM SAND WITH SILT, GRAVEL AND ROOTS (MOIST) (FILL)
2-2.5'	TS	DARK BROWN SILTY FINE TO MEDIUM SAND WITH TRACE GRAVEL AND ROOTS (MOIST) (BURIED TOPSOIL)
2.5-4'	SP-SM	ORANGE BROWN FINE TO MEDIUM SAND WITH SILT, GRAVEL AND ROOTS (MOIST)
4-14'	SM	TAN SILTY FINE TO MEDIUM SAND WITH GRAVEL (MOIST) (GLACIAL TILL) WITH ORANGE REDOX FEATURES @ 9'

ESHW: 9' BELOW GRADE (ELEVATION 263.0)
WEEP: NONE
BEDROCK/REFUSAL: NONE, TERMINATED AT 14' BELOW GRADE

GEO-TP-2
EXISTING GROUND ELEVATION: 272.0
PERFORMED BY: HKC, GEOENGINEERS
DATE: 11-15-2023

DEPTH	CLASS	NOTES
0-1.5'	TS	DARK BROWN SILTY FINE TO MEDIUM SAND WITH TRACE GRAVEL AND ROOTS (MOIST) (TOPSOIL)
1.5-4'	SM	BROWN SILTY FINE TO MEDIUM SAND WITH GRAVEL AND ROOTS (FILL)
4-4.5'	TS	DARK BROWN SILTY FINE TO MEDIUM SAND WITH TRACE GRAVEL AND ROOTS (MOIST) (BURIED TOPSOIL)
4.5-5'	SP-SM	BROWN FINE TO MEDIUM SAND WITH SILT, GRAVEL, AND ROOTS (MOIST)
5-17'	SM	BROWN SILTY FINE TO MEDIUM SAND WITH GRAVEL AND COBBLES (MOIST) (GLACIAL TILL)

ESHW: NOT ENCOUNTERED
WEEP: NONE
BEDROCK/REFUSAL: NONE, TERMINATED AT 17' BELOW GRADE

GEO-TP-6
EXISTING GROUND ELEVATION: 280.4
PERFORMED BY: HKC, GEOENGINEERS
DATE: 11-16-2023

DEPTH	CLASS	NOTES
0-0.75'	TS	DARK BROWN SILTY FINE TO MEDIUM SAND WITH TRACE GRAVEL AND ROOTS (MOIST) (TOPSOIL)
0.75-2.75'	SP-SM	ORANGE BROWN FINE TO MEDIUM SAND WITH SILT, GRAVEL AND ROOTS (MOIST) (FILL)
2.75-3.5'	TS	DARK BROWN SILTY FINE TO MEDIUM SAND WITH TRACE GRAVEL AND ROOTS (MOIST) (BURIED TOPSOIL)
3.5-6'	SP-SM	ORANGE BROWN FINE TO MEDIUM SAND WITH SILT, GRAVEL AND ROOTS (MOIST)
6-14'	SM	TAN SILTY FINE TO MEDIUM SAND WITH GRAVEL AND ORANGE REDOX FEATURES @ 6' (MOIST) (GLACIAL TILL)

ESHW: 6' BELOW GRADE (ELEVATION 274.4)
WEEP: 9' BELOW GRADE
BEDROCK/REFUSAL: NONE, TERMINATED AT 14' BELOW GRADE

GEO-TP-3
EXISTING GROUND ELEVATION: 257.9
PERFORMED BY: HKC, GEOENGINEERS
DATE: 11-16-2023

DEPTH	CLASS	NOTES
0-0.75'	TS	DARK BROWN SILTY FINE TO MEDIUM SAND WITH TRACE GRAVEL AND ROOTS (MOIST) (TOPSOIL)
0.75-3'	SM	TAN SILTY FINE TO MEDIUM SAND WITH GRAVEL AND ROOTS (FILL)
3-3.5'	TS	DARK BROWN SILTY FINE TO MEDIUM SAND WITH TRACE GRAVEL AND ROOTS (MOIST) (BURIED TOPSOIL)
3.5-4.5'	SP-SM	BROWN FINE TO MEDIUM SAND WITH SILT, GRAVEL AND ROOTS (MOIST)
4.5-6'	SM	TAN SILTY FINE TO MEDIUM SAND WITH GRAVEL (MOIST) (GLACIAL TILL)

ESHW: NOT ENCOUNTERED
WEEP: NONE
BEDROCK/REFUSAL: 6' PROBABLE BOULDER

GEO-TP-7
EXISTING GROUND ELEVATION: 281.0
PERFORMED BY: HKC, GEOENGINEERS
DATE: 11-16-2023

DEPTH	CLASS	NOTES
0-0.75'	TS	DARK BROWN SILTY FINE TO MEDIUM SAND WITH TRACE GRAVEL AND ROOTS (MOIST) (TOPSOIL)
0.75-14'	SM	TAN SILTY FINE TO MEDIUM SAND WITH GRAVEL (MOIST) (GLACIAL TILL)

ESHW: NOT ENCOUNTERED
WEEP: NONE
BEDROCK/REFUSAL: NONE, TERMINATED AT 14' BELOW GRADE

GEO-TP-4
EXISTING GROUND ELEVATION: 278.5
PERFORMED BY: HKC, GEOENGINEERS
DATE: 11-16-2023

DEPTH	CLASS	NOTES
0-0.75'	TS	DARK BROWN SILTY FINE TO MEDIUM SAND WITH TRACE GRAVEL AND ROOTS (MOIST) (TOPSOIL)
0.75-1.25'	SP-SM	BROWN FINE TO MEDIUM SAND WITH SILT, GRAVEL AND ROOTS (MOIST)
1.25-15'	SM	TAN SILTY FINE TO MEDIUM SAND WITH GRAVEL (MOIST) (GLACIAL TILL)

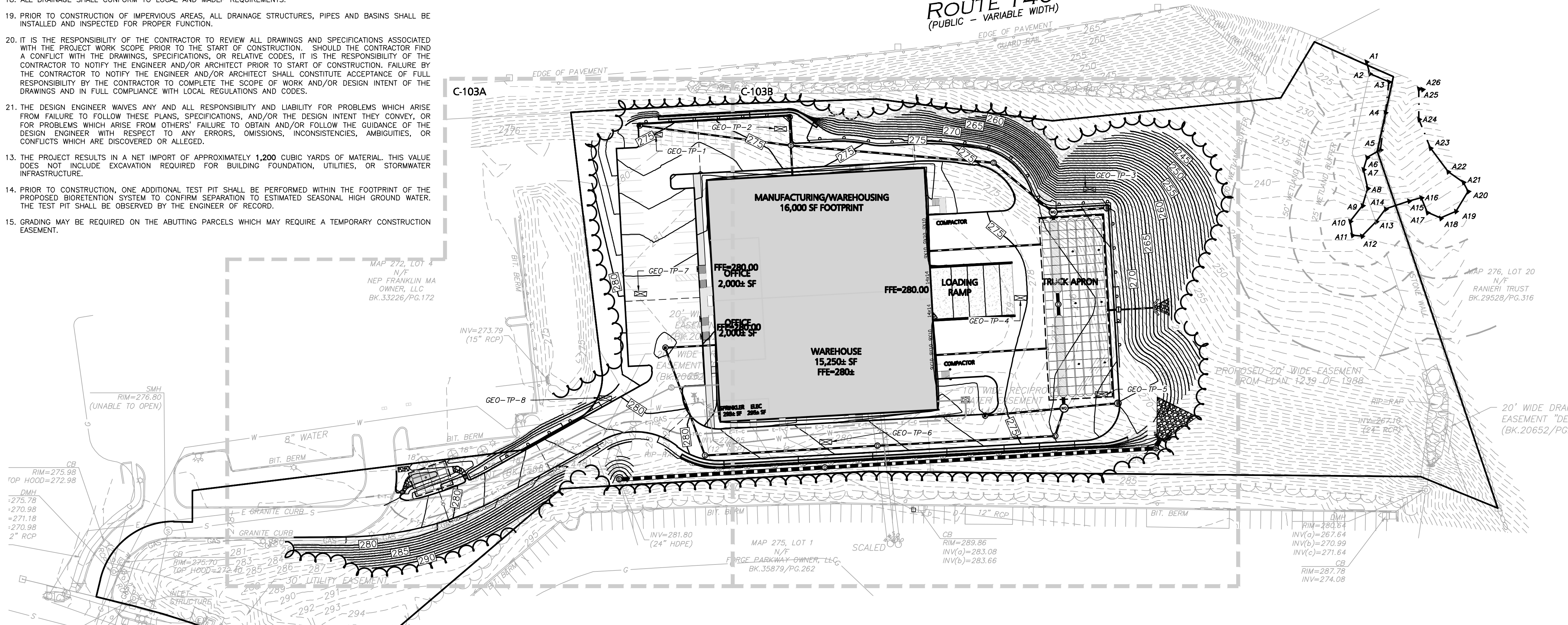
ESHW: NOT ENCOUNTERED
WEEP: NONE
BEDROCK/REFUSAL: NONE, TERMINATED AT 15' BELOW GRADE

GEO-TP-8
EXISTING GROUND ELEVATION: 279.7
PERFORMED BY: HKC, GEOENGINEERS
DATE: 11-16-2023

DEPTH	CLASS	NOTES
0-0.75'	TS	DARK BROWN SILTY FINE TO MEDIUM SAND WITH TRACE GRAVEL AND ROOTS (MOIST) (TOPSOIL)
0.75-3'	SP-SM	BROWN FINE TO MEDIUM SAND WITH SILT, GRAVEL AND ROOTS (MOIST) (FILL)
3-5'	SM	TAN SILTY FINE TO MEDIUM SAND WITH GRAVEL (FILL)
5-5.25'	SM	DARK BROWN SILTY FINE TO MEDIUM SAND WITH TRACE GRAVEL AND ROOTS (MOIST) (BURIED TOPSOIL)
5.25-5.75'	SP-SM	BROWN FINE TO MEDIUM SAND WITH SILT, GRAVEL AND ROOTS (MOIST)
5.75-13'	SM	TAN SILTY FINE TO MEDIUM SAND WITH GRAVEL (MOIST) (GLACIAL TILL)

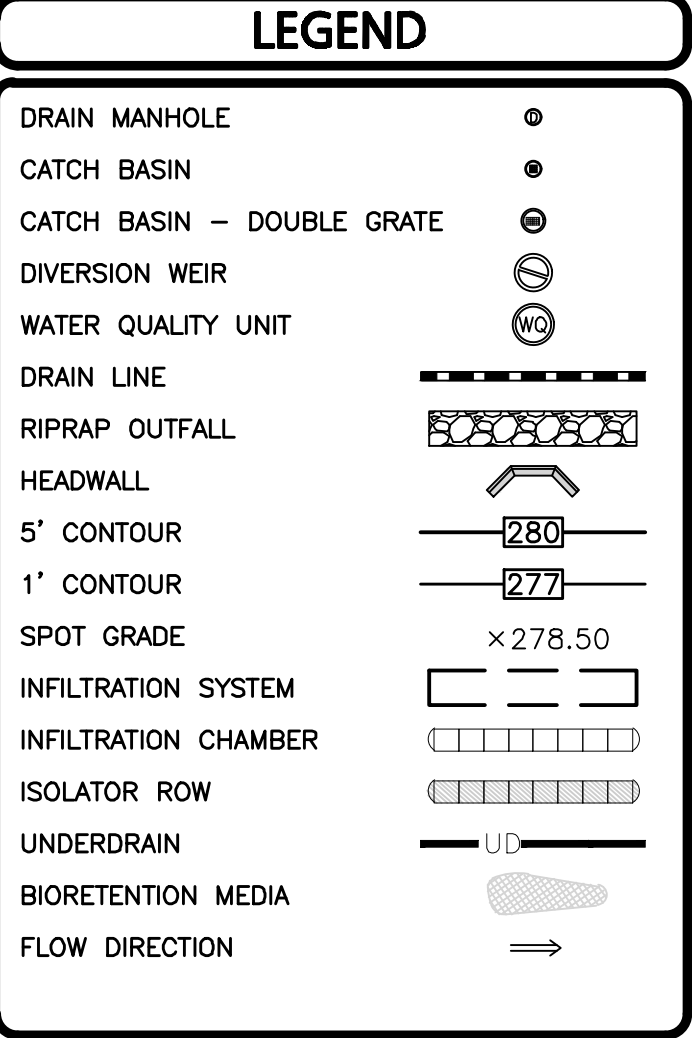
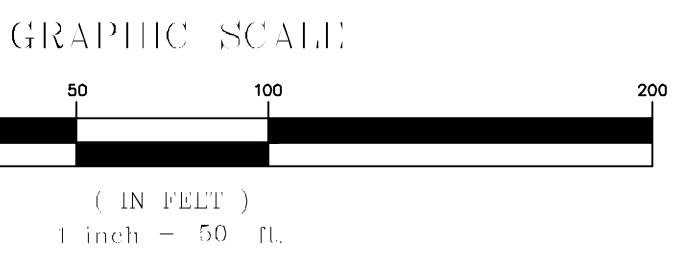
ESHW: 13' BELOW GRADE (ELEVATION 266.7, WEEP)
WEEP: 13' BELOW GRADE
BEDROCK/REFUSAL: NONE, TERMINATED AT 13' BELOW GRADE

ROUTE 140
(PUBLIC - VARIABLE WIDTH)



INFILTRATION SYSTEM PROTECTION NOTES

- DO NOT TRAFFIC EXPOSED SOIL SURFACE WITH CONSTRUCTION EQUIPMENT. IF FEASIBLE, PERFORM EXCAVATIONS WITH EQUIPMENT POSITIONED OUTSIDE THE LIMITS OF THE INFILTRATION SYSTEM.
- AFTER THE INFILTRATION SYSTEM AREA IS EXCAVATED TO THE FINAL DESIGN ELEVATION, THE FLOOR SHOULD BE DEEPLY TILLED WITH A ROTARY TILLER OR DISC HARROW TO RESTORE INFILTRATION RATES, FOLLOWED BY A PASS WITH A LEVELING DRAG.
- DO NOT PLACE INFILTRATION SYSTEMS INTO SERVICE UNTIL THE CONTRIBUTING AREAS HAVE BEEN FULLY STABILIZED.



PROFESSIONAL ENGINEER
MICHAEL A. MALYNOWSKI
CIVIL
No. 47288
02-05-2024
PROFESSIONAL ENGINEER FOR
ALLEN & MAJOR ASSOCIATES, INC.

APPLICANT/OWNER:
DONEGAL, LLC
PO BOX 4430
MANCHESTER, NH 03108

PROJECT:
PROPOSED INDUSTRIAL BUILDING
6 FORGE PARKWAY
FRANKLIN, MA
PARCEL ID: 272-005-000-000

PROJECT NO. 1362-25 DATE: 02-05-24
SCALE: 1" = 50' DWG.: C1362-25 Grading & Drainage
DESIGNED BY: SM CHECKED BY: MAM

PREPARED BY:
ALLEN & MAJOR ASSOCIATES, INC.
civil engineering • land surveying
environmental consulting • landscape architecture
www.allenmajor.com
100 COMMERCE WAY, SUITE 5
WOUBURN MA 01801
TEL: (781) 935-6889
FAX: (781) 935-2896

THIS DRAWING HAS BEEN PREPARED IN ELECTRONIC FORMAT. CLIENT/CUSTOMER REPRESENTATIVE OR CONSULTANT MAY BE PROVIDED COPIES OF DRAWINGS AND SPECIFICATIONS ON MAGNETIC MEDIA FOR HIS/HER INFORMATION AND USE FOR SPECIFIC APPLICATION TO THIS PROJECT. DUE TO THE POTENTIAL THAT THE MAGNETIC INFORMATION MAY BE MODIFIED UNINTENTIONALLY OR OTHERWISE, ALLEN & MAJOR ASSOCIATES, INC. MAY REMOVE ALL INDICATION OF THE DOCUMENT'S AUTHORSHIP ON THE MAGNETIC MEDIA. PRINTED REPRESENTATIONS OF THE DRAWINGS AND SPECIFICATIONS ISSUED SHALL BE THE ONLY RECORD COPIES OF ALLEN & MAJOR ASSOCIATES, INC.'S WORK PRODUCT.

DRAWING TITLE: **OVERALL GRADING & DRAINAGE PLAN** SHEET No. **C-103**
Copyright © 2024 Allen & Major Associates, Inc. All Rights Reserved. 10 OF 24

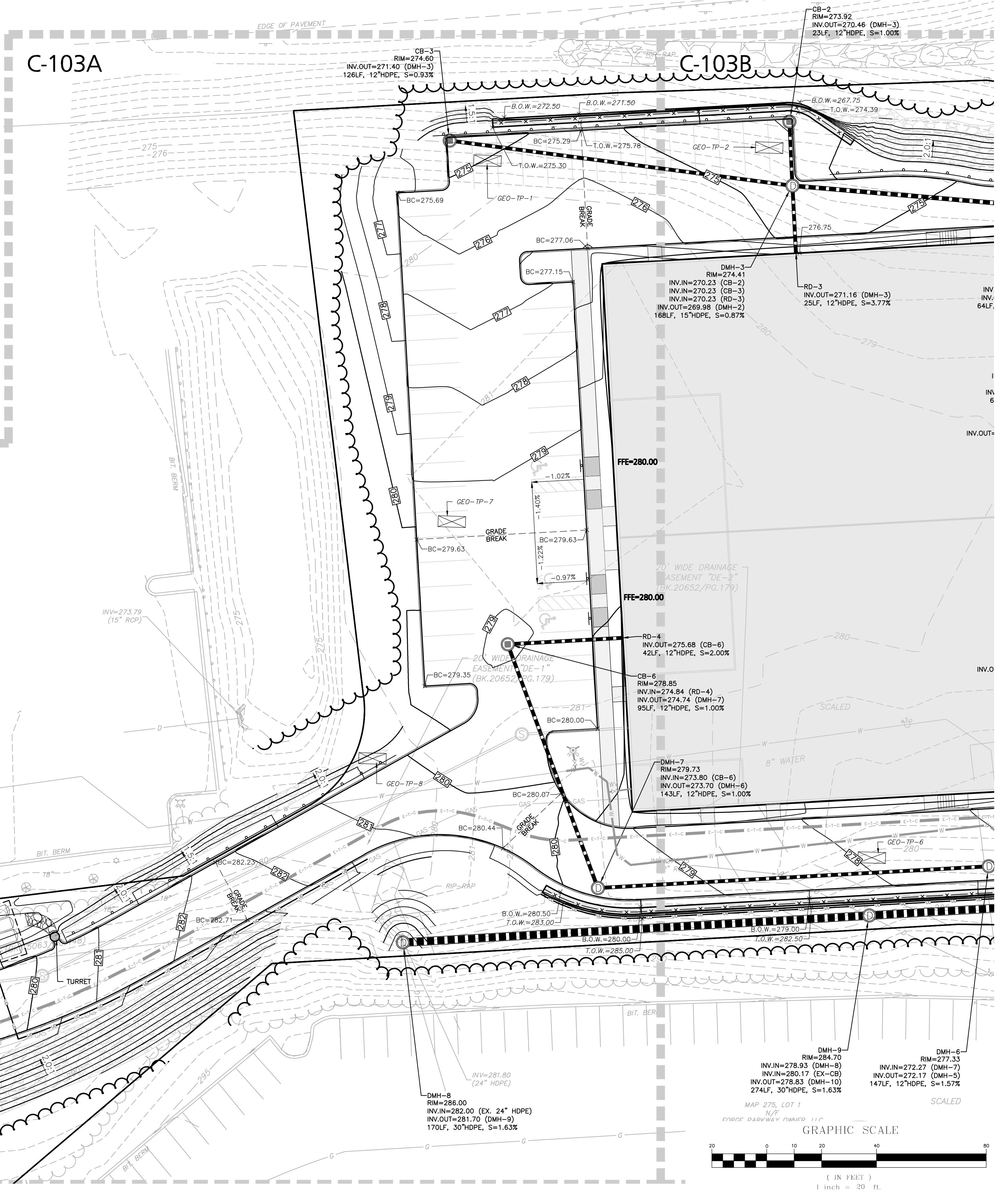
A:\PROJECTS\1362-25\CIVIL\DRAWINGS\CURRENT\C-1362-25-GRADING & DRAINAGE.DWG

DIG SAFE
BEFORE YOU DIG
CALL 811 OR
1-888-DIG-SAFE
1-888-344-7233

FORGE PARKWAY
(PUBLIC - 74.33' WIDE)

GRADING & DRAINAGE NOTES:

1. REFER TO SHEET C-103 FOR ADDITIONAL COMPLIANCE INFORMATION.
2. ALL CONSTRUCTION SHALL CONFORM TO THE APPLICABLE REGULATIONS AND STANDARDS INCLUDING THE TOWN OF FRANKLIN, MDOT, MADEP, MUTCD, AND AASHTO.
3. THE CONTRACTOR IS SOLELY RESPONSIBLE FOR THE MEANS AND METHODS OF CONSTRUCTION AND FOR CONDITIONS AT THE SITE. THESE PLANS, PREPARED BY ALLEN & MAJOR ASSOCIATES DO NOT EXTEND TO OR INCLUDE SYSTEMS PERTAINING TO THE SAFETY OF THE CONSTRUCTION CONTRACTOR OR THEIR EMPLOYEES, AGENTS OR REPRESENTATIVES IN THE PERFORMANCE OF THE WORK, OR THE OWNER'S EMPLOYEES, CUSTOMERS, OR THE GENERAL PUBLIC. THE SEAL OF THE ENGINEER AS INCLUDED IN THE PLAN SET DOES NOT EXTEND TO ANY SUCH SAFETY SYSTEMS THAT MAY NOW OR HEREAFTER BE INCORPORATED INTO THESE PLANS. THE CONSTRUCTION CONTRACTOR SHALL PROVIDE THE APPROPRIATE SAFETY SYSTEMS WHICH MAY BE REQUIRED BY THE.
4. ALL ELEVATIONS REFER TO NAVD 88.
5. THE CONTRACTOR SHALL ADHERE TO ALL TERMS & CONDITIONS AS OUTLINED IN THE GENERAL N.P.D.E.S. PERMIT FOR STORMWATER DISCHARGE ASSOCIATED WITH CONSTRUCTION ACTIVITIES.
6. IT IS THE RESPONSIBILITY OF THE CONTRACTOR TO REVIEW ALL DRAWINGS AND SPECIFICATIONS ASSOCIATED WITH THE PROJECT WORK SCOPE PRIOR TO THE START OF CONSTRUCTION. SHOULD THE CONTRACTOR FIND A CONFLICT WITH THE DRAWINGS, SPECIFICATIONS, OR RELATIVE CODES, IT IS THE RESPONSIBILITY OF THE CONTRACTOR TO NOTIFY THE ENGINEER AND/OR ARCHITECT PRIOR TO START OF CONSTRUCTION. FAILURE BY THE CONTRACTOR TO NOTIFY THE ENGINEER AND/OR ARCHITECT SHALL CONSTITUTE ACCEPTANCE OF FULL RESPONSIBILITY BY THE CONTRACTOR TO COMPLETE THE SCOPE OF WORK AND/OR DESIGN INTENT OF THE DRAWINGS AND IN FULL COMPLIANCE WITH LOCAL REGULATIONS AND CODES.
7. THE DESIGN ENGINEER WAIVES ANY AND ALL RESPONSIBILITY AND LIABILITY FOR PROBLEMS WHICH ARISE FROM FAILURE TO FOLLOW THESE PLANS, SPECIFICATIONS, AND/OR THE DESIGN INTENT THEY CONVEY, OR FOR PROBLEMS WHICH ARISE FROM OTHERS' FAILURE TO OBTAIN AND/OR FOLLOW THE GUIDANCE OF THE DESIGN ENGINEER WITH RESPECT TO ANY ERRORS, OMISSIONS, INCONSISTENCIES, AMBIGUITIES, OR CONFLICTS WHICH ARE DISCOVERED OR ALLEGED.



MAP 272, LOT 4
W/F
NEP FRANKLIN MA
OWNER, LLC
BK.33226/PG.172

INFILTRATION SYSTEM-1
(16) SC-740 CHAMBERS
FINISHED GRADE=277.00 (MIN)
TOP OF STONE=275.00
TOP OF CHAMBER=274.50
CHAMBER INVERT=272.00
BOTTOM OF STONE=271.50
PERFORM CONFIRMATORY TEST PIT PRIOR TO CONSTRUCTION TO VERIFY DEPTH TO ESHGW

12" INLINE BEEHIVE GRATE
RIM=277.50
BIORETENTION SYSTEM
TOP OF MEDIA=277.00
BOTTOM OF MEDIA=275.00

DIG SAFE
BEFORE YOU DIG
CALL 811 OR
1-888-DIG-SAFE
1-888-344-7233

LEGEND

- DRAIN MANHOLE
- CATCH BASIN
- CATCH BASIN - DOUBLE GRATE
- DIVERSION WEIR
- WATER QUALITY UNIT
- DRAIN LINE
- RIPRAP OUTFALL
- HEADWALL
- 5' CONTOUR
- 1' CONTOUR
- SPOT GRADE
- INFILTRATION SYSTEM
- INFILTRATION CHAMBER
- ISOLATOR ROW
- UNDERDRAIN
- BIORETENTION MEDIA
- FLOW DIRECTION



PROFESSIONAL ENGINEER FOR ALLEN & MAJOR ASSOCIATES, INC.

REV	DATE	DESCRIPTION

APPLICANT/OWNER:
DONEGAL, LLC
PO BOX 4430
MANCHESTER, NH 03108

PROJECT:
PROPOSED INDUSTRIAL BUILDING
6 FORGE PARKWAY
FRANKLIN, MA
PARCEL ID: 272-005-000-000

PROJECT NO. 1362-25 DATE: 02-05-24

SCALE: 1" = 20' DWG.: C1362-25 Grading & Drainage

DESIGNED BY: SM CHECKED BY: MAM

PREPARED BY:

ALLEN & MAJOR ASSOCIATES, INC.
civil engineering • land surveying
environmental consulting • landscape architecture
www.allenmajor.com
100 COMMERCE WAY, SUITE 5
WOUBURN MA 01801
TEL: (781) 935-6889
FAX: (781) 935-2896

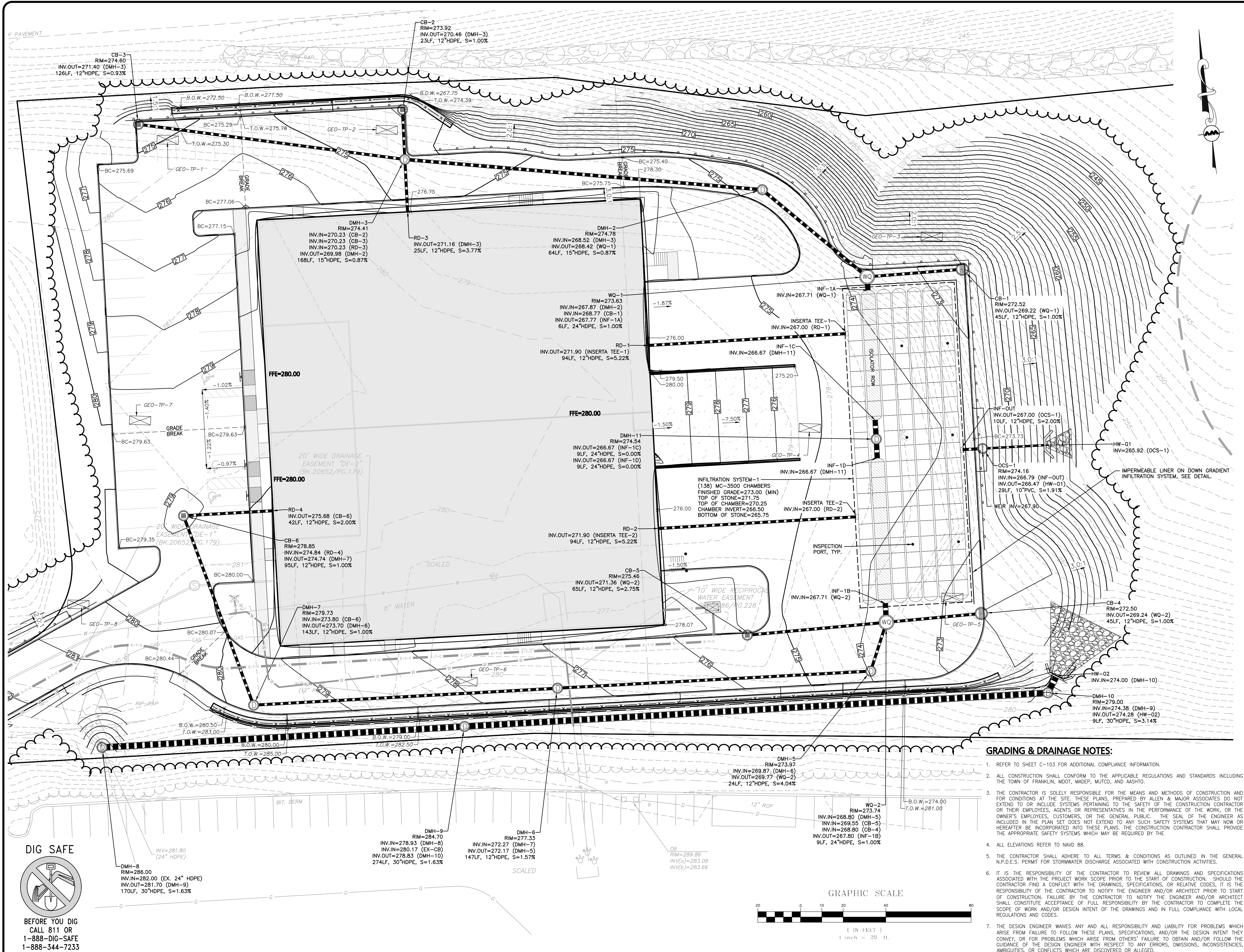
WOUBURN, MA • LAKEVILLE, MA • MANCHESTER, NH

THIS DRAWING HAS BEEN PREPARED IN ELECTRONIC FORMAT. CLIENT/CUSTOMER'S REPRESENTATIVE OR CONSULTANT MAY PROVIDE COPIES OF DRAWINGS AND SPECIFICATIONS ON MAGNETIC MEDIA FOR HIS/HER INFORMATION AND USE FOR SPECIFIC APPLICATION TO THIS PROJECT. DUE TO THE POTENTIAL THAT THE MAGNETIC INFORMATION MAY BE MODIFIED UNINTENTIONALLY OR OTHERWISE, ALLEN & MAJOR ASSOCIATES, INC. MAY REMOVE ALL INDICATION OF THE DOCUMENT'S AUTHORSHIP ON THE MAGNETIC MEDIA. PRINTED REPRESENTATIONS OF THE DRAWINGS AND SPECIFICATIONS ISSUED SHALL BE THE ONLY RECORD COPIES OF ALLEN & MAJOR ASSOCIATES, INC.'S WORK PRODUCT.

DRAWING TITLE: GRADING & DRAINAGE PLAN C-103A SHEET No.

Copyright © 2024 Allen & Major Associates, Inc. All Rights Reserved. 11 OF 24

R:\PROJECTS\1362-25\CIVIL\DRAWINGS\CURRENT\C-1362-25-GRADING & DRAINAGE.DWG



LEGEND	
RAIN MANHOLE	○
CATCH BASIN	●
CATCH BASIN - DOUBLE GRATE	●
DIVERSION WEIR	⊖
WATER QUALITY UNIT	⊖
DRAIN LINE	—
RIPRAP OUTFALL	▨
HEADWALL	▤
5' CONTOUR	250
1' CONTOUR	277
SPOT GRADE	x278.50
INFILTRATION SYSTEM	▭
INFILTRATION CHAMBER	▭
ISOLATOR ROW	▭
UNDERDRAIN	UD
BIORETENTION MEDIA	▨
FLOW DIRECTION	→

MICHAEL A. MALYNOWSKI
 CIVIL
 No. 47288
 REGISTERED PROFESSIONAL ENGINEER
 02-05-2024
 PROFESSIONAL ENGINEER FOR
 ALLEN & MAJOR ASSOCIATES, INC.

REV	DATE	DESCRIPTION

APPLICANT/OWNER:
 DONEGAL, LLC
 PO BOX 4430
 MANCHESTER, NH 03108

PROJECT:
PROPOSED INDUSTRIAL BUILDING
 6 FORGE PARKWAY
 FRANKLIN, MA
 PARCEL ID: 272-005-000-000

PROJECT NO.: 1362-25 **DATE:** 02-05-24

SCALE: 1" = 20' **DWG.:** C1362-25 Grading & Drainage

DESIGNED BY: SM **CHECKED BY:** MAM

PREPARED BY:

ALLEN & MAJOR ASSOCIATES, INC.
 civil engineering • land surveying
 environmental consulting • landscape architecture
 www.allenmajor.com
 100 COMMERCE WAY, SUITE 5
 WOBURN MA 01801
 TEL: (781) 935-6889
 FAX: (781) 935-2896

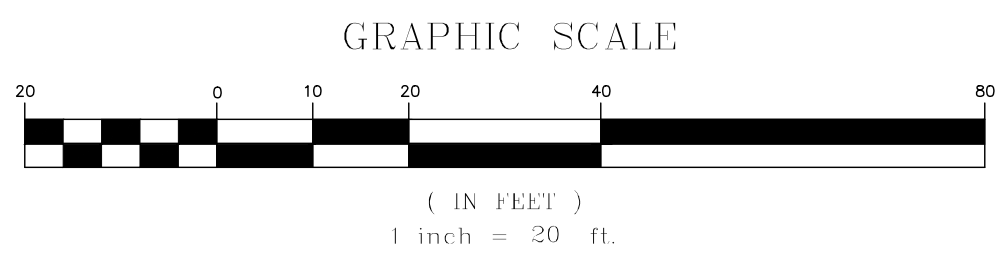
WOBURN, MA • LAKEVILLE, MA • MANCHESTER, NH
 THIS DRAWING HAS BEEN PREPARED IN ELECTRONIC FORMAT. CLIENT/CUSTOMER'S REPRESENTATIVE OR CONSULTANT, MAY BE PROVIDED COPIES OF DRAWINGS AND SPECIFICATIONS ON MAGNETIC MEDIA FOR HIS/HER INFORMATION AND USE FOR SPECIFIC APPLICATION TO THIS PROJECT. DUE TO THE POTENTIAL THAT THE MAGNETIC INFORMATION MAY BE MODIFIED UNINTENTIONALLY OR OTHERWISE, ALLEN & MAJOR ASSOCIATES, INC. MAY REMOVE ALL INDICATION OF THE DOCUMENT'S AUTHORSHIP ON THE MAGNETIC MEDIA. PRINTED REPRESENTATIONS OF THE DRAWINGS AND SPECIFICATIONS ISSUED SHALL BE THE ONLY RECORD COPIES OF ALLEN & MAJOR ASSOCIATES, INC.'S WORK PRODUCT.

DRAWING TITLE: GRADING & DRAINAGE PLAN **SHEET No.:** C-103B

- GRADING & DRAINAGE NOTES:**
- REFER TO SHEET C-103 FOR ADDITIONAL COMPLIANCE INFORMATION.
 - ALL CONSTRUCTION SHALL CONFORM TO THE APPLICABLE REGULATIONS AND STANDARDS INCLUDING THE TOWN OF FRANKLIN, MDOT, MADEP, MUTCD, AND ASHTO.
 - THE CONTRACTOR IS SOLELY RESPONSIBLE FOR THE MEANS AND METHODS OF CONSTRUCTION AND FOR CONDITIONS AT THE SITE. THESE PLANS, PREPARED BY ALLEN & MAJOR ASSOCIATES DO NOT EXTEND TO OR INCLUDE SYSTEMS PERTAINING TO THE SAFETY OF THE CONSTRUCTION CONTRACTOR OR THEIR EMPLOYEES, AGENTS OR REPRESENTATIVES IN THE PERFORMANCE OF THE WORK, OR THE OWNER'S EMPLOYEES, CUSTOMERS, OR THE GENERAL PUBLIC. THE SEAL OF THE ENGINEER AS INCLUDED IN THE PLAN SET DOES NOT EXTEND TO ANY SUCH SAFETY SYSTEMS THAT MAY NOW OR HEREAFTER BE INCORPORATED INTO THESE PLANS. THE CONSTRUCTION CONTRACTOR SHALL PROVIDE THE APPROPRIATE SAFETY SYSTEMS WHICH MAY BE REQUIRED BY THE.
 - ALL ELEVATIONS REFER TO NAVD 88.
 - THE CONTRACTOR SHALL ADHERE TO ALL TERMS & CONDITIONS AS OUTLINED IN THE GENERAL N.P.D.E.S. PERMIT FOR STORMWATER DISCHARGE ASSOCIATED WITH CONSTRUCTION ACTIVITIES.
 - IT IS THE RESPONSIBILITY OF THE CONTRACTOR TO REVIEW ALL DRAWINGS AND SPECIFICATIONS ASSOCIATED WITH THE PROJECT WORK SCOPE PRIOR TO THE START OF CONSTRUCTION. SHOULD THE CONTRACTOR FIND A CONFLICT WITH THE DRAWINGS, SPECIFICATIONS, OR RELATIVE CODES, IT IS THE RESPONSIBILITY OF THE CONTRACTOR TO NOTIFY THE ENGINEER AND/OR ARCHITECT PRIOR TO START OF CONSTRUCTION. FAILURE BY THE CONTRACTOR TO NOTIFY THE ENGINEER AND/OR ARCHITECT SHALL CONSTITUTE ACCEPTANCE OF FULL RESPONSIBILITY BY THE CONTRACTOR TO COMPLETE THE SCOPE OF WORK AND/OR DESIGN INTENT OF THE DRAWINGS AND IN FULL COMPLIANCE WITH LOCAL REGULATIONS AND CODES.
 - THE DESIGN ENGINEER WAVES ANY AND ALL RESPONSIBILITY AND LIABILITY FOR PROBLEMS WHICH ARISE FROM FAILURE TO FOLLOW THESE PLANS, SPECIFICATIONS, AND/OR THE DESIGN INTENT THEY CONVEY, OR FOR PROBLEMS WHICH ARISE FROM OTHERS' FAILURE TO OBTAIN AND/OR FOLLOW THE GUIDANCE OF THE DESIGN ENGINEER WITH RESPECT TO ANY ERRORS, OMISSIONS, INCONSISTENCIES, AMBIGUITIES, OR CONFLICTS WHICH ARE DISCOVERED OR ALLEGED.

DIG SAFE

 BEFORE YOU DIG
 CALL 811 OR
 1-888-DIG-SAFE
 1-888-344-7233

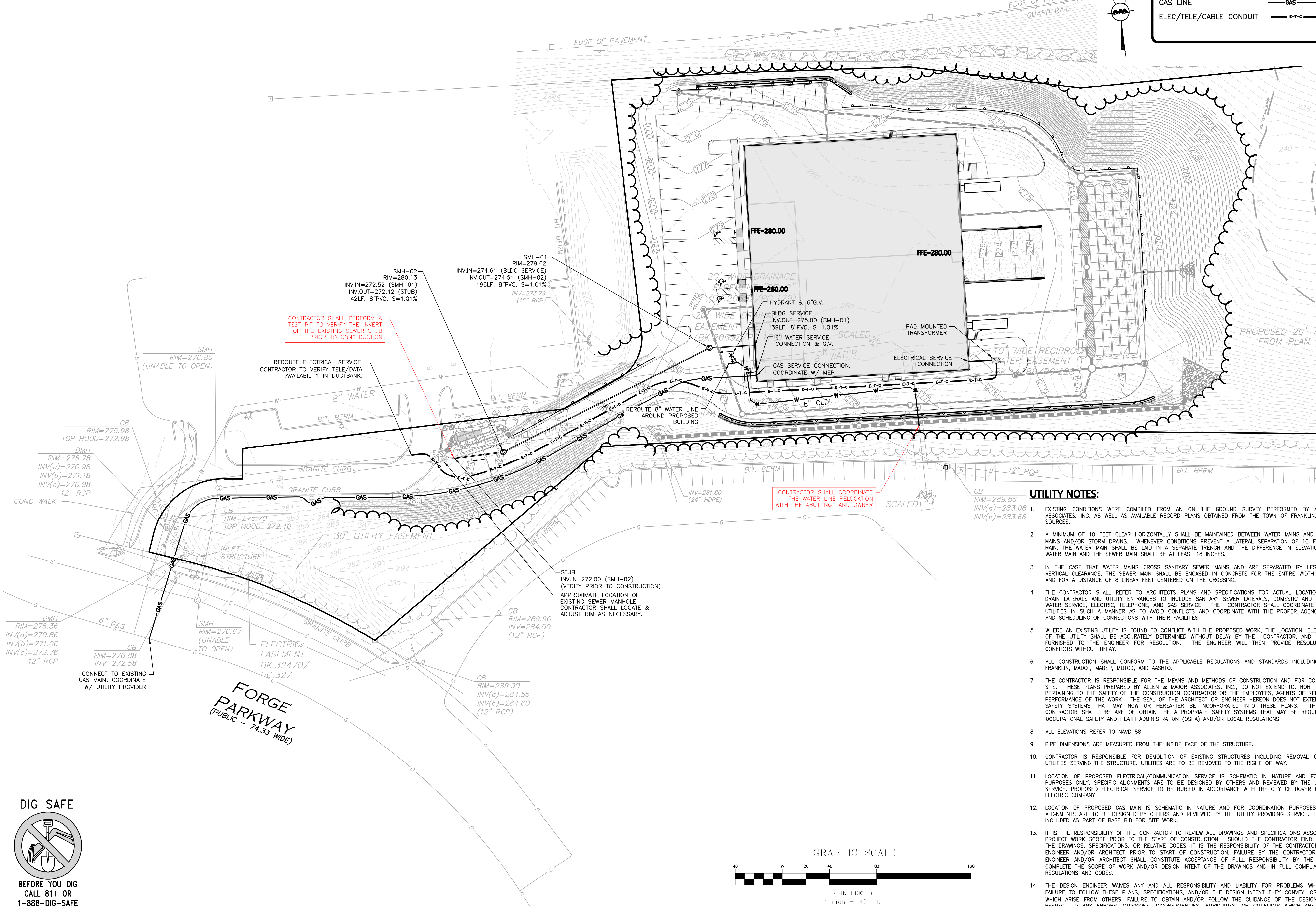


R:\PROJECTS\1362-25\CIVIL\DRAWINGS\CURRENT\C-1362-25-GRADING & DRAINAGE.DWG

LEGEND

- SEWER MANHOLE
- SEWER LINE
- WATER LINE
- WATER VALVE
- HYDRANT
- GAS LINE
- ELEC/TELE/CABLE CONDUIT

ROUTE 140
(PUBLIC - VARIABLE WIDTH)



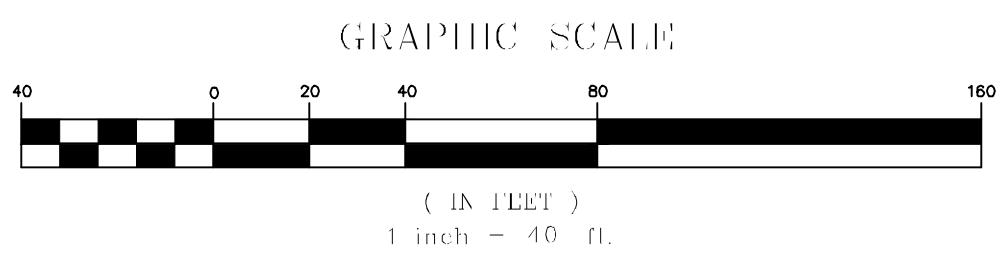
CONTRACTOR SHALL PERFORM A TEST PIT TO VERIFY THE INVERT OF THE EXISTING SEWER STUB PRIOR TO CONSTRUCTION

REROUTE ELECTRICAL SERVICE. CONTRACTOR TO VERIFY TELE/DATA AVAILABILITY IN DUCTBANK.

CONTRACTOR SHALL COORDINATE THE WATER LINE RELOCATION WITH THE ADJUTING LAND OWNER

UTILITY NOTES:

1. EXISTING CONDITIONS WERE COMPILED FROM AN ON THE GROUND SURVEY PERFORMED BY ALLEN & MAJOR ASSOCIATES, INC. AS WELL AS AVAILABLE RECORD PLANS OBTAINED FROM THE TOWN OF FRANKLIN, MA AND OTHER SOURCES.
2. A MINIMUM OF 10 FEET CLEAR HORIZONTALLY SHALL BE MAINTAINED BETWEEN WATER MAINS AND SANITARY SEWER MAINS AND/OR STORM DRAINS. WHENEVER CONDITIONS PREVENT A LATERAL SEPARATION OF 10 FEET TO A WATER MAIN, THE WATER MAIN SHALL BE LAD IN A SEPARATE TRENCH AND THE DIFFERENCE IN ELEVATION BETWEEN THE WATER MAIN AND THE SEWER MAIN SHALL BE AT LEAST 18 INCHES.
3. IN THE CASE THAT WATER MAINS CROSS SANITARY SEWER MAINS AND ARE SEPARATED BY LESS THAN 18" OF VERTICAL CLEARANCE, THE SEWER MAIN SHALL BE ENCASED IN CONCRETE FOR THE ENTIRE WIDTH OF THE TRENCH AND FOR A DISTANCE OF 8 LINEAR FEET CENTERED ON THE CROSSING.
4. THE CONTRACTOR SHALL REFER TO ARCHITECTS PLANS AND SPECIFICATIONS FOR ACTUAL LOCATION OF ALL ROOF DRAIN LATERALS AND UTILITY ENTRANCES TO INCLUDE SANITARY SEWER LATERALS, DOMESTIC AND FIRE PROTECTION WATER SERVICE, ELECTRIC, TELEPHONE, AND GAS SERVICE. THE CONTRACTOR SHALL COORDINATE INSTALLATION OF UTILITIES IN SUCH A MANNER AS TO AVOID CONFLICTS AND COORDINATE WITH THE PROPER AGENCY THE LOCATION AND SCHEDULING OF CONNECTIONS WITH THEIR FACILITIES.
5. WHERE AN EXISTING UTILITY IS FOUND TO CONFLICT WITH THE PROPOSED WORK, THE LOCATION, ELEVATION AND SIZE OF THE UTILITY SHALL BE ACCURATELY DETERMINED WITHOUT DELAY BY THE CONTRACTOR, AND THE INFORMATION FURNISHED TO THE ENGINEER FOR RESOLUTION. THE ENGINEER WILL THEN PROVIDE RESOLUTION TO UTILITY CONFLICTS WITHOUT DELAY.
6. ALL CONSTRUCTION SHALL CONFORM TO THE APPLICABLE REGULATIONS AND STANDARDS INCLUDING THE TOWN OF FRANKLIN, MADOT, MADEP, MUTCD, AND AASHTO.
7. THE CONTRACTOR IS RESPONSIBLE FOR THE MEANS AND METHODS OF CONSTRUCTION AND FOR CONDITIONS OF THE SITE. THESE PLANS PREPARED BY ALLEN & MAJOR ASSOCIATES, INC. DO NOT EXTEND TO, NOR INCLUDE SYSTEMS PERTAINING TO THE SAFETY OF THE CONSTRUCTION CONTRACTOR OR THE EMPLOYEES, AGENTS OF REPRESENTATIVES IN PERFORMANCE OF THE WORK. THE SEAL OF THE ARCHITECT OR ENGINEER HEREON DOES NOT EXTEND TO ANY SUCH SAFETY SYSTEMS THAT MAY NOW OR HEREAFTER BE INCORPORATED INTO THESE PLANS. THE CONSTRUCTION CONTRACTOR SHALL PREPARE TO OBTAIN THE APPROPRIATE SAFETY SYSTEMS THAT MAY BE REQUIRED BY THE US OCCUPATIONAL SAFETY AND HEALTH ADMINISTRATION (OSHA) AND/OR LOCAL REGULATIONS.
8. ALL ELEVATIONS REFER TO NAVD 88.
9. PIPE DIMENSIONS ARE MEASURED FROM THE INSIDE FACE OF THE STRUCTURE.
10. CONTRACTOR IS RESPONSIBLE FOR DEMOLITION OF EXISTING STRUCTURES INCLUDING REMOVAL OF ANY EXISTING UTILITIES SERVING THE STRUCTURE. UTILITIES ARE TO BE REMOVED TO THE RIGHT-OF-WAY.
11. LOCATION OF PROPOSED ELECTRICAL/COMMUNICATION SERVICE IS SCHEMATIC IN NATURE AND FOR COORDINATION PURPOSES ONLY. SPECIFIC ALIGNMENTS ARE TO BE DESIGNED BY OTHERS AND REVIEWED BY THE UTILITY PROVIDING SERVICE. PROPOSED ELECTRICAL SERVICE TO BE BURIED IN ACCORDANCE WITH THE CITY OF DOVER REGULATIONS AND ELECTRIC COMPANY.
12. LOCATION OF PROPOSED GAS MAIN IS SCHEMATIC IN NATURE AND FOR COORDINATION PURPOSES ONLY. SPECIFIC ALIGNMENTS ARE TO BE DESIGNED BY OTHERS AND REVIEWED BY THE UTILITY PROVIDING SERVICE. THIS WORK TO BE INCLUDED AS PART OF BASE BID FOR SITE WORK.
13. IT IS THE RESPONSIBILITY OF THE CONTRACTOR TO REVIEW ALL DRAWINGS AND SPECIFICATIONS ASSOCIATED WITH THE PROJECT WORK SCOPE PRIOR TO THE START OF CONSTRUCTION. SHOULD THE CONTRACTOR FIND A CONFLICT WITH THE DRAWINGS, SPECIFICATIONS, OR RELATIVE CODES, IT IS THE RESPONSIBILITY OF THE CONTRACTOR TO NOTIFY THE ENGINEER AND/OR ARCHITECT PRIOR TO START OF CONSTRUCTION. FAILURE BY THE CONTRACTOR TO NOTIFY THE ENGINEER AND/OR ARCHITECT SHALL CONSTITUTE ACCEPTANCE OF FULL RESPONSIBILITY BY THE CONTRACTOR TO COMPLETE THE SCOPE OF WORK AND/OR DESIGN INTENT OF THE DRAWINGS AND IN FULL COMPLIANCE WITH LOCAL REGULATIONS AND CODES.
14. THE DESIGN ENGINEER WAIVES ANY AND ALL RESPONSIBILITY AND LIABILITY FOR PROBLEMS WHICH ARISE FROM FAILURE TO FOLLOW THESE PLANS, SPECIFICATIONS, AND/OR THE DESIGN INTENT THEY CONVEY, OR FOR PROBLEMS WHICH ARISE FROM OTHERS' FAILURE TO OBTAIN AND/OR FOLLOW THE GUIDANCE OF THE DESIGN ENGINEER WITH RESPECT TO ANY ERRORS, OMISSIONS, INCONSISTENCIES, AMBIGUITIES, OR CONFLICTS WHICH ARE DISCOVERED OR ALLEGED.



PROFESSIONAL ENGINEER FOR ALLEN & MAJOR ASSOCIATES, INC.

REV	DATE	DESCRIPTION

APPLICANT/OWNER:
DONEGAL, LLC
PO BOX 4430
MANCHESTER, NH 03108

PROJECT:
PROPOSED INDUSTRIAL BUILDING
6 FORGE PARKWAY
FRANKLIN, MA
PARCEL ID: 272-005-000-000

PROJECT NO. 1362-25 DATE: 02-05-24

SCALE: 1" = 40' DWG.: C-1362-25_Utilities

DESIGNED BY: SM CHECKED BY: MAM

PREPARED BY:

ALLEN & MAJOR ASSOCIATES, INC.
civil engineering • land surveying
environmental consulting • landscape architecture
www.allenmajor.com
100 COMMERCE WAY, SUITE 5
WOBRUN MA 01801
TEL: (781) 935-6889
FAX: (781) 935-2896

WOBRUN, MA • LAKEVILLE, MA • MANCHESTER, NH

THIS DRAWING HAS BEEN PREPARED IN ELECTRONIC FORMAT. CLIENT/CLIENTS REPRESENTATIVE OR CONSULTANT MAY BE PROVIDED COPIES OF DRAWINGS AND SPECIFICATIONS ON MAGNETIC MEDIA FOR HIS/HER INFORMATION AND USE FOR SPECIFIC APPLICATION TO THIS PROJECT. DUE TO THE POTENTIAL THAT THE MAGNETIC INFORMATION MAY BE MODIFIED UNINTENTIONALLY OR OTHERWISE, ALLEN & MAJOR ASSOCIATES, INC. MAY REMOVE ALL INDICATION OF THE DOCUMENTS AUTHORSHIP ON THE MAGNETIC MEDIA. PRINTED REPRESENTATIONS OF THE DRAWINGS AND SPECIFICATIONS ISSUED SHALL BE THE ONLY RECORD COPIES OF ALLEN & MAJOR ASSOCIATES, INC.'S WORK PRODUCT.

DRAWING TITLE: UTILITIES PLAN SHEET No. C-104

Copyright ©2024 Allen & Major Associates, Inc. All Rights Reserved. 13 OF 24

DIG SAFE

BEFORE YOU DIG
CALL 811 OR
1-888-DIG-SAFE
1-888-344-7233

R:\PROJECTS\1362-25\CIVIL DRAWINGS\CURRENT\0-1362-25-UTILITIES.DWG

R:\PROJECTS\1362-25\CHE\DRAWINGS\CURRENT\C-1362-25_LIGHTING.DWG

**ISSUED FOR
REVIEW**
FEBRUARY 2, 2024

REV	DATE	DESCRIPTION

APPLICANT/OWNER:
 DONEGAL, LLC
 PO BOX 4430
 MANCHESTER, NH 03108

PROJECT:
**PROPOSED
 INDUSTRIAL BUILDING**
 6 FORGE PARKWAY
 FRANKLIN, MA
 PARCEL ID: 272-005-000-000

PROJECT NO. 1362-25 **DATE:** 02-05-24

SCALE: 1" = 20' **DWG.:** C-1362-25_Lighting

DESIGNED BY: SM **CHECKED BY:** MAM

PREPARED BY:

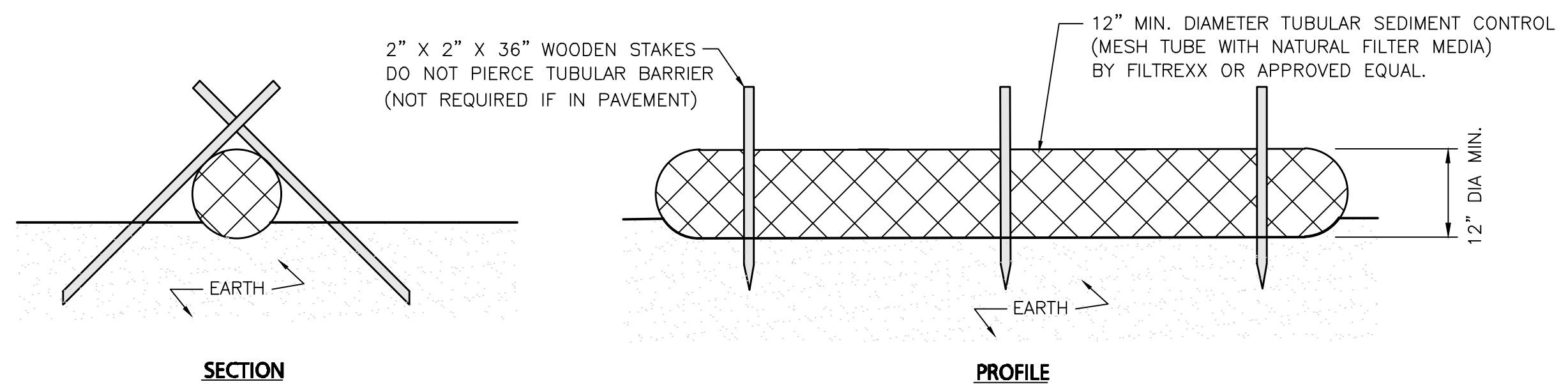


**ALLEN & MAJOR
ASSOCIATES, INC.**
 civil engineering • land surveying
 environmental consulting • landscape architecture
 www.allenmajor.com
 100 COMMERCE WAY, SUITE 5
 WOBURN MA 01801
 TEL: (781) 935-6889
 FAX: (781) 935-2896

WOBURN, MA • LAKEVILLE, MA • MANCHESTER, NH

THIS DRAWING HAS BEEN PREPARED IN ELECTRONIC FORMAT. CLIENT/CLIENTS REPRESENTATIVE OR CONSULTANT MAY BE PROVIDED COPIES OF DRAWINGS AND SPECIFICATIONS ON MAGNETIC MEDIA FOR HIS/HER INFORMATION AND USE FOR SPECIFIC APPLICATION TO THIS PROJECT. DUE TO THE POTENTIAL THAT THE MAGNETIC INFORMATION MAY BE MODIFIED UNINTENTIONALLY OR OTHERWISE, ALLEN & MAJOR ASSOCIATES, INC. MAY REMOVE ALL INDICATION OF THE DOCUMENTS AUTHORSHIP ON THE MAGNETIC MEDIA. PRINTED REPRESENTATIONS OF THE DRAWINGS AND SPECIFICATIONS ISSUED SHALL BE THE ONLY RECORD COPIES OF ALLEN & MAJOR ASSOCIATES, INC'S WORK PRODUCT.

DRAWING TITLE: LIGHTING PLAN	SHEET No. C-105 OF 24
--	--



SECTION

2" x 2" x 36" WOODEN STAKES DO NOT PIERCE TUBULAR BARRIER (NOT REQUIRED IF IN PAVEMENT)

PROFILE

12" MIN. DIAMETER TUBULAR SEDIMENT CONTROL (MESH TUBE WITH NATURAL FILTER MEDIA) BY FILTREXX OR APPROVED EQUAL.

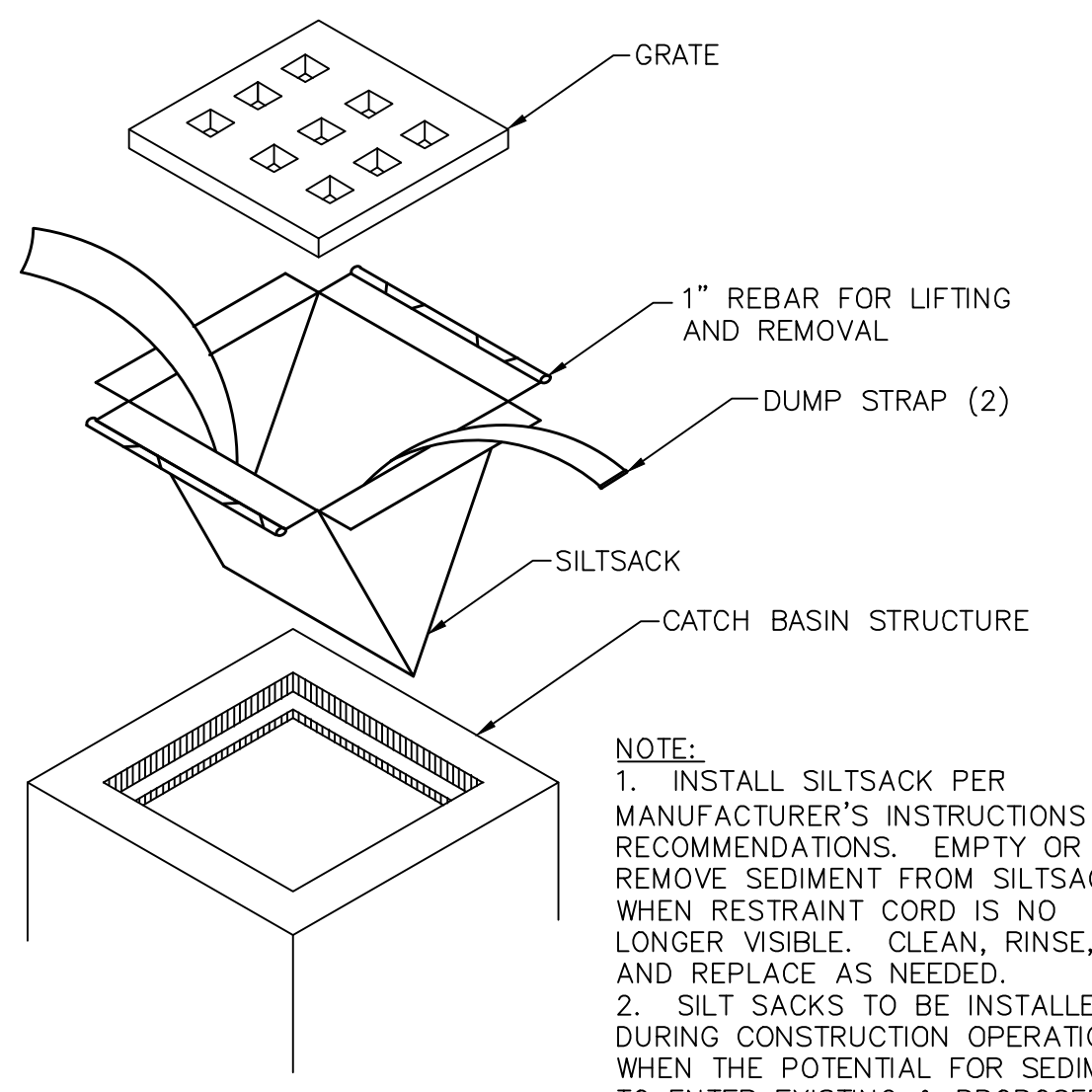
12" DIA MIN.

TUBULAR SEDIMENT BARRIER

NOT TO SCALE

1

- NOTES:
- ALL MATERIALS TO MEET MANUFACTURERS SPECIFICATIONS.
 - INSTALL WOODEN STAKES IN A CRISS-CROSS PATTERN EVERY 8' ON CENTER.
 - OVERLAP TUBULAR BARRIER SEGMENTS A MINIMUM OF 12".
 - THE CONTRACTOR SHALL MAINTAIN THE TUBULAR BARRIERS IN A FUNCTIONAL CONDITION AT ALL TIMES. THE CONTROLS SHALL BE ROUTINELY INSPECTED BY THE CONTRACTOR.
 - WHERE THE TUBULAR BARRIERS REQUIRE REPAIR OR SEDIMENT REMOVAL, IT WILL BE COMPLETED BY THE CONTRACTOR AT NO ADDITIONAL COST.
 - AT A MINIMUM, THE CONTRACTOR SHALL REMOVE SEDIMENTS COLLECTED AT THE BASE WHEN THEY REACH 1/3 THE EXPOSED HEIGHT OF THE BARRIER.

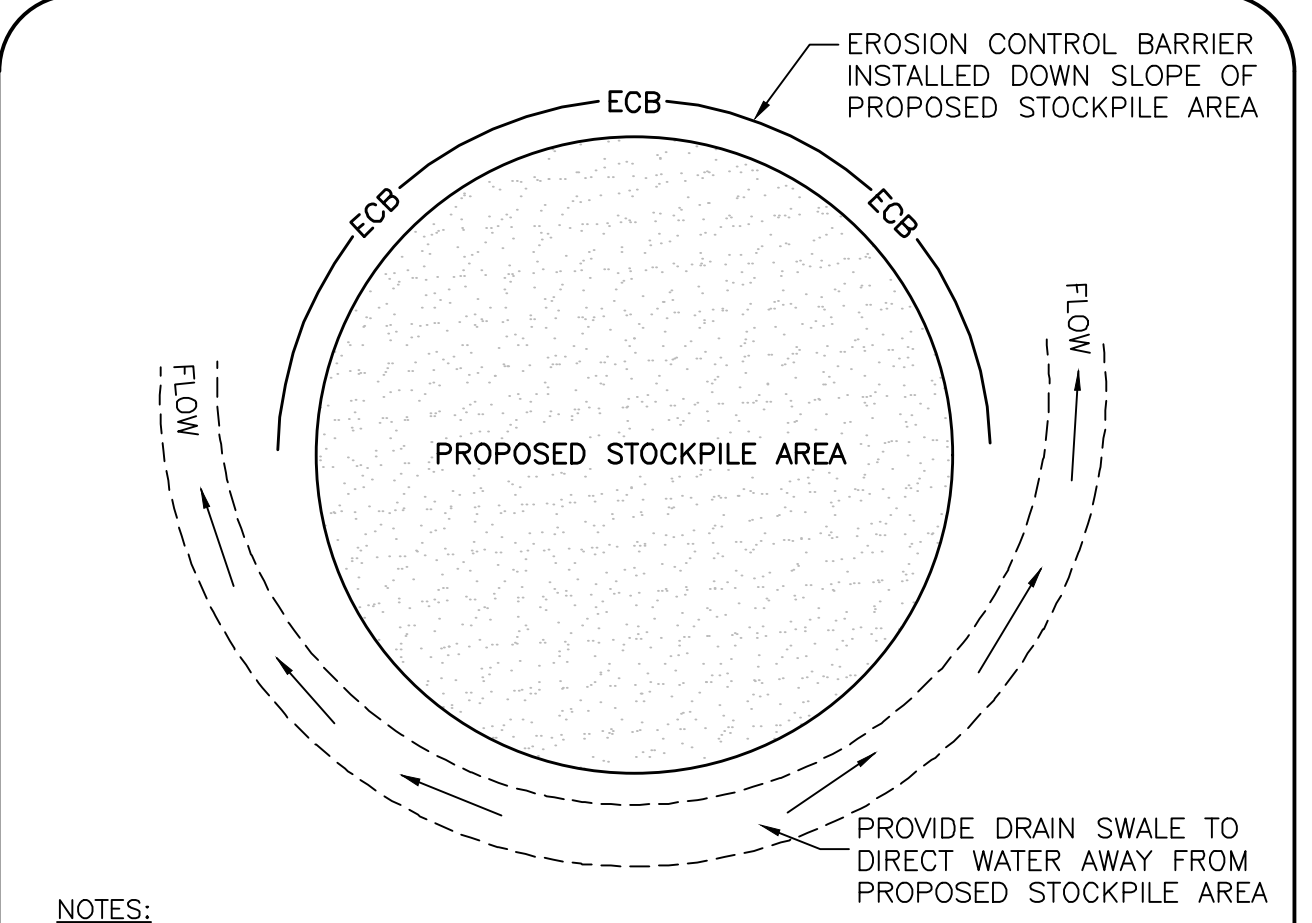


CATCH BASIN FILTER INLET DETAIL

NOT TO SCALE

2

- NOTE:
- INSTALL SILTSACK PER MANUFACTURER'S INSTRUCTIONS AND RECOMMENDATIONS. EMPTY OR REMOVE SEDIMENT FROM SILTSACK WHEN RESTRAINT CORD IS NO LONGER VISIBLE. CLEAN, RINSE, AND REPLACE AS NEEDED.
 - SILT SACKS TO BE INSTALLED DURING CONSTRUCTION OPERATIONS WHEN THE POTENTIAL FOR SEDIMENT TO ENTER EXISTING & PROPOSED BASINS EXISTS.

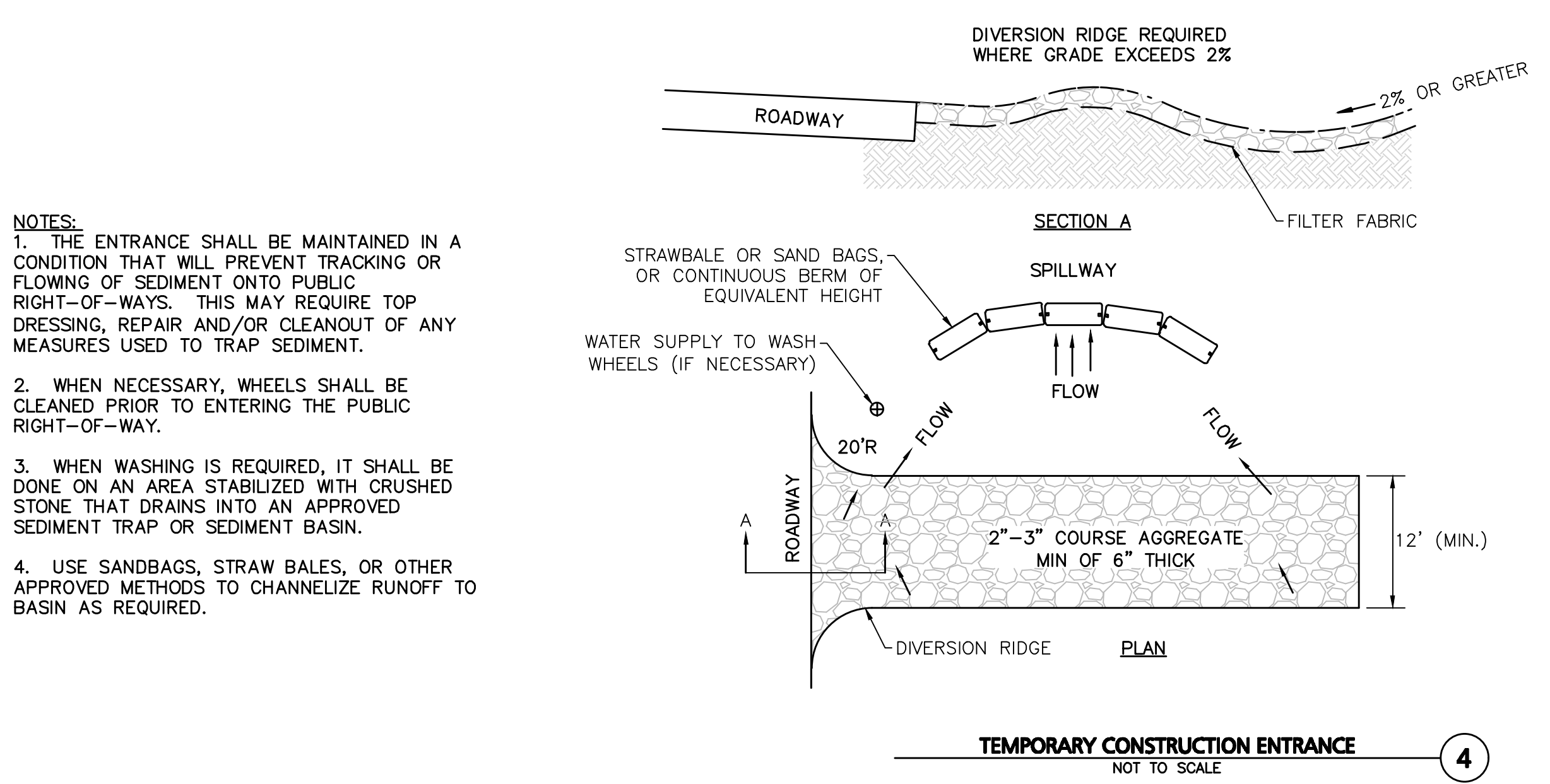


STOCKPILE PROTECTION DETAIL

NOT TO SCALE

3

- NOTES:
- SOIL AND FILL STOCKPILES EXPECTED TO REMAIN IN PLACE FOR LESS THAN 90 DAYS SHALL BE COVERED WITH STRAW AND MULCH (AT 100LB/1,000 SF), OR WITH AN ANCHORED TARP WITHIN 7 DAYS OR PRIOR TO ANY RAINFALL.
 - SOIL AND FILL STOCKPILES EXPECTED TO REMAIN IN PLACE FOR 90 DAYS OR MORE SHALL BE SEED WITH WINTER RYE (FOR FALL SEEDING AT 1LB/1,000 SF) OR OATS (FOR SUMMER SEEDING AT 2LB/1,000 SF) AND THEN COVERED WITH STRAW MULCH (AT 100LB/1,000 SF) OR AN ANCHORED TARP WITHIN 7 DAYS OR PRIOR TO ANY RAINFALL.

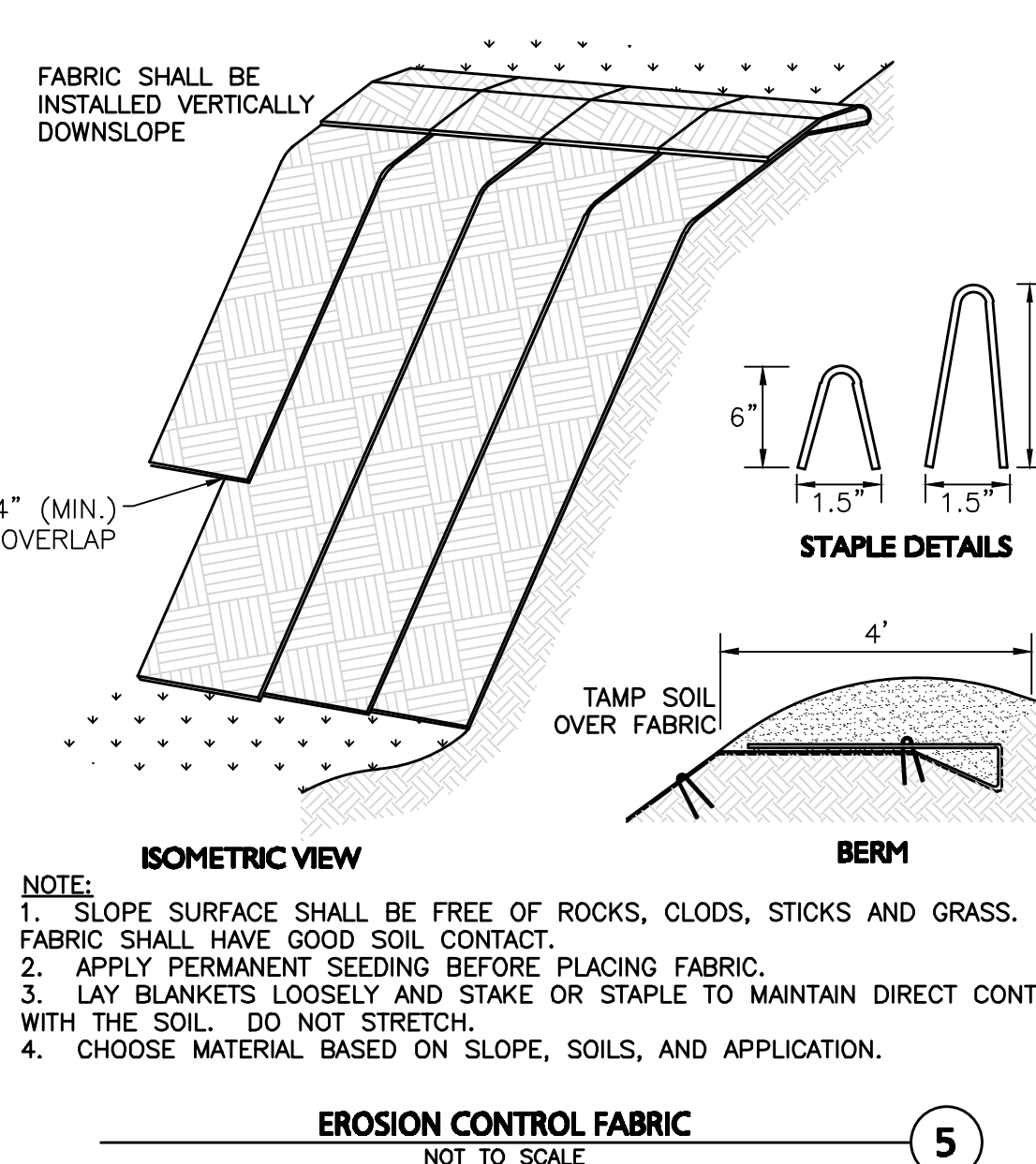


TEMPORARY CONSTRUCTION ENTRANCE

NOT TO SCALE

4

- NOTES:
- THE ENTRANCE SHALL BE MAINTAINED IN A CONDITION THAT WILL PREVENT TRACKING OR FLOWING OF SEDIMENT ONTO PUBLIC RIGHT-OF-WAYS. THIS MAY REQUIRE TOP DRESSING, REPAIR AND/OR CLEANOUT OF ANY MEASURES USED TO TRAP SEDIMENT.
 - WHEN NECESSARY, WHEELS SHALL BE CLEANED PRIOR TO ENTERING THE PUBLIC RIGHT-OF-WAY.
 - WHEN WASHING IS REQUIRED, IT SHALL BE DONE ON AN AREA STABILIZED WITH CRUSHED STONE THAT DRAINS INTO AN APPROVED SEDIMENT TRAP OR SEDIMENT BASIN.
 - USE SANDBAGS, STRAW BALES, OR OTHER APPROVED METHODS TO CHANNELIZE RUNOFF TO BASIN AS REQUIRED.

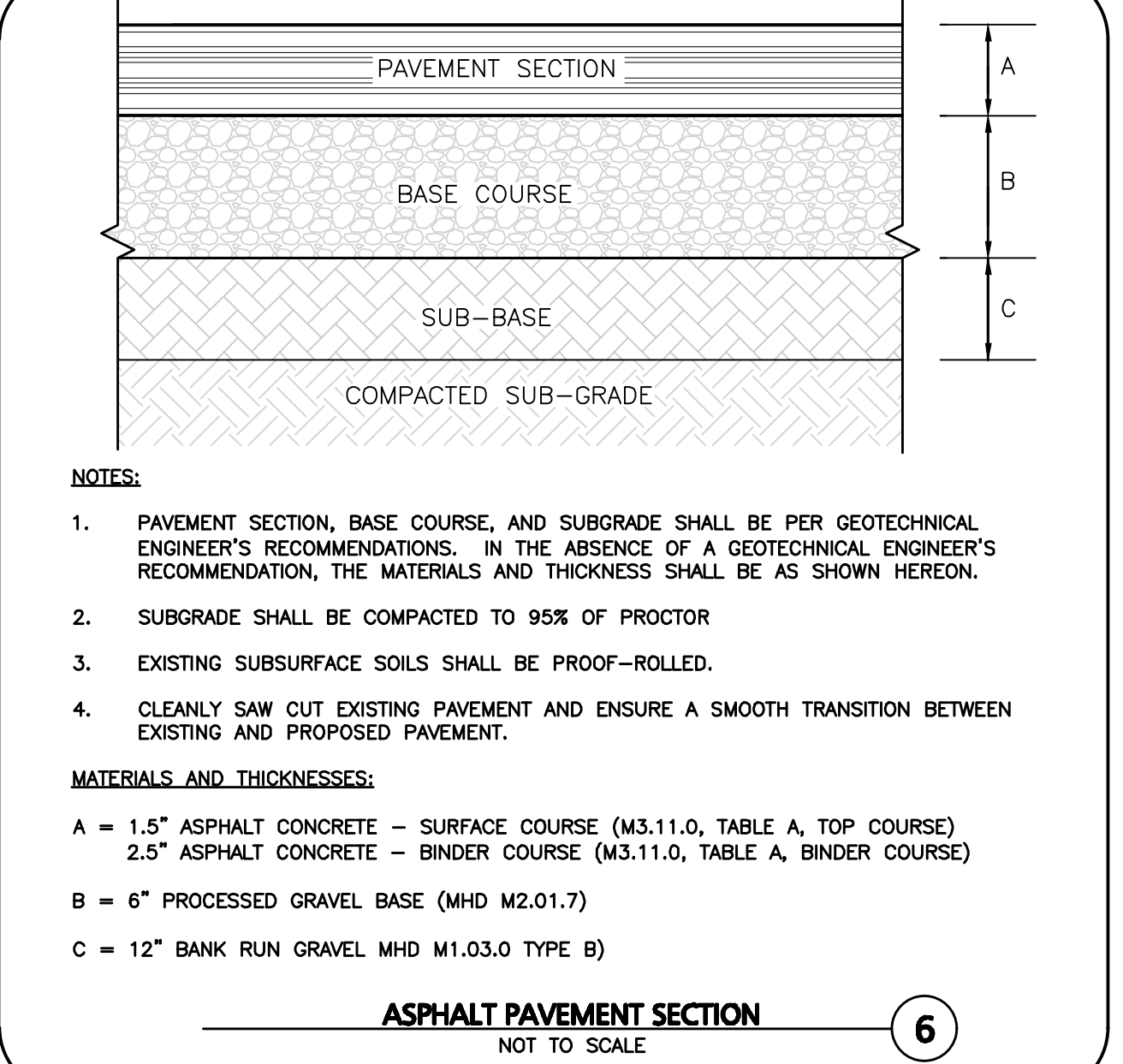


EROSION CONTROL FABRIC

NOT TO SCALE

5

- NOTE:
- SLOPE SURFACE SHALL BE FREE OF ROCKS, CLOUDS, STICKS AND GRASS. FABRIC SHALL HAVE GOOD SOIL CONTACT.
 - APPLY PERMANENT SEEDING BEFORE PLACING FABRIC.
 - LAY BLANKETS LOOSELY AND STAKE OR STAPLE TO MAINTAIN DIRECT CONTACT WITH THE SOIL. DO NOT STRETCH.
 - CHOOSE MATERIAL BASED ON SLOPE, SOILS, AND APPLICATION.

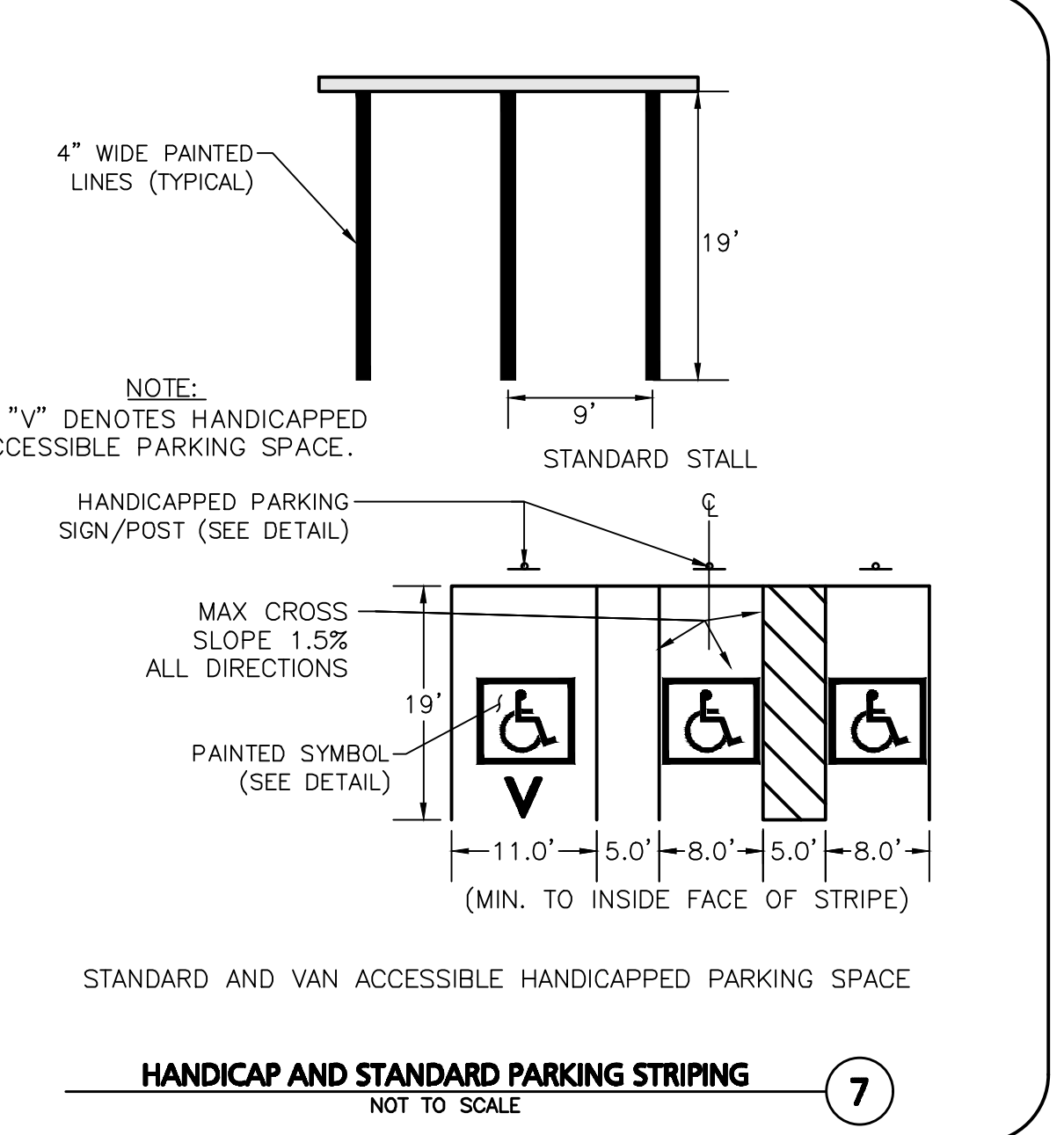


ASPHALT PAVEMENT SECTION

NOT TO SCALE

6

- NOTES:
- PAVEMENT SECTION, BASE COURSE, AND SUBGRADE SHALL BE PER GEOTECHNICAL ENGINEER'S RECOMMENDATIONS. IN THE ABSENCE OF A GEOTECHNICAL ENGINEER'S RECOMMENDATION, THE MATERIALS AND THICKNESS SHALL BE AS SHOWN HEREON.
 - SUBGRADE SHALL BE COMPACTED TO 95% OF PROCTOR
 - EXISTING SUBSURFACE SOILS SHALL BE PROOF-ROLLED.
 - CLEANLY SAW CUT EXISTING PAVEMENT AND ENSURE A SMOOTH TRANSITION BETWEEN EXISTING AND PROPOSED PAVEMENT.
- MATERIALS AND THICKNESSES:**
- A = 1.5" ASPHALT CONCRETE - SURFACE COURSE (M3.11.0, TABLE A, TOP COURSE)
 2.5" ASPHALT CONCRETE - BINDER COURSE (M3.11.0, TABLE A, BINDER COURSE)
- B = 6" PROCESSED GRAVEL BASE (MHD M2.01.7)
- C = 12" BANK RUN GRAVEL MHD M1.03.0 TYPE B)

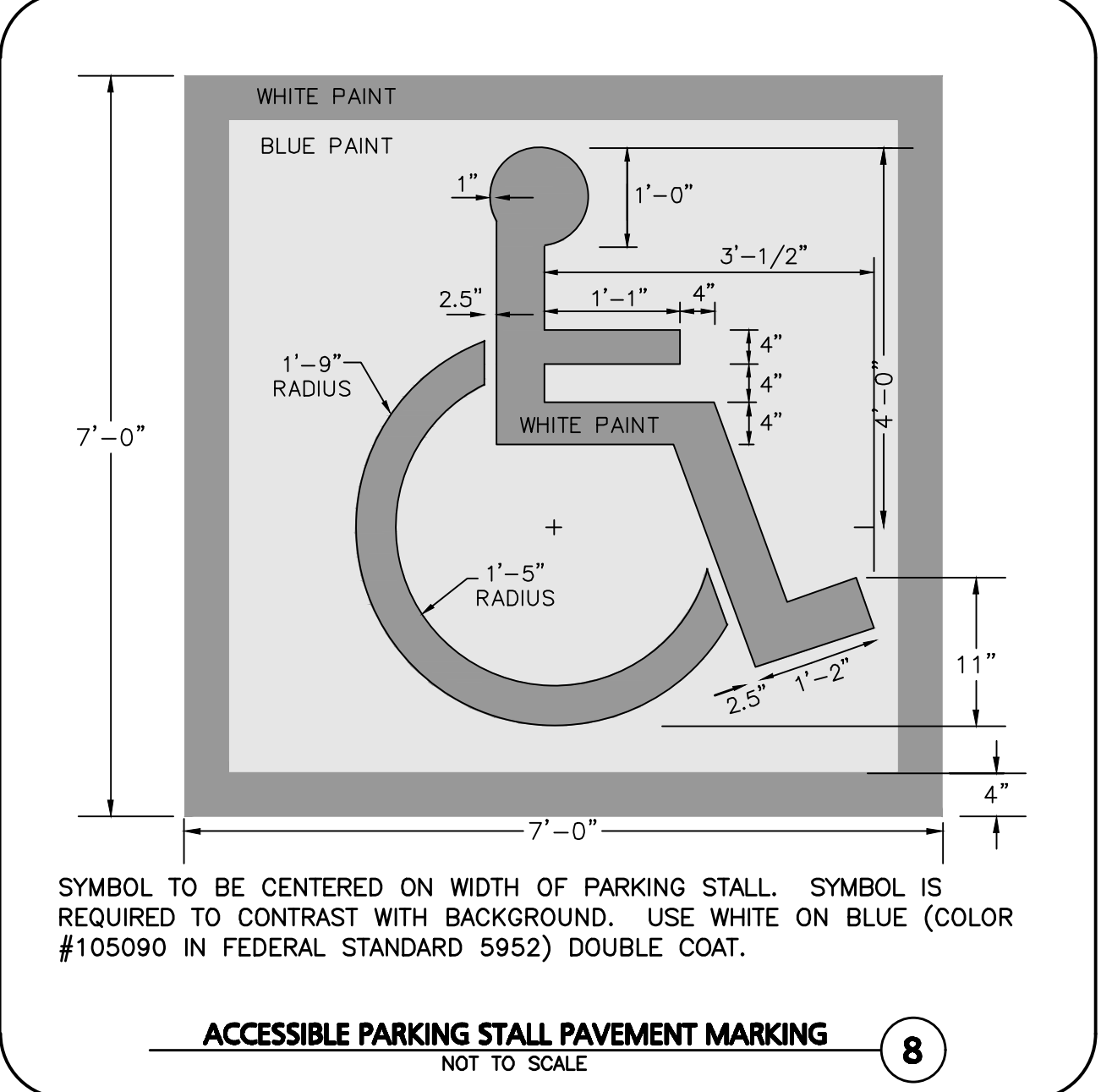


HANDICAP AND STANDARD PARKING STRIPING

NOT TO SCALE

7

- NOTE:
- "V" DENOTES HANDICAPPED ACCESSIBLE PARKING SPACE.
- HANDICAPPED PARKING SIGN/POST (SEE DETAIL)
- MAX CROSS SLOPE 1.5% ALL DIRECTIONS
- PAINTED SYMBOL (SEE DETAIL)
- STANDARD AND VAN ACCESSIBLE HANDICAPPED PARKING SPACE

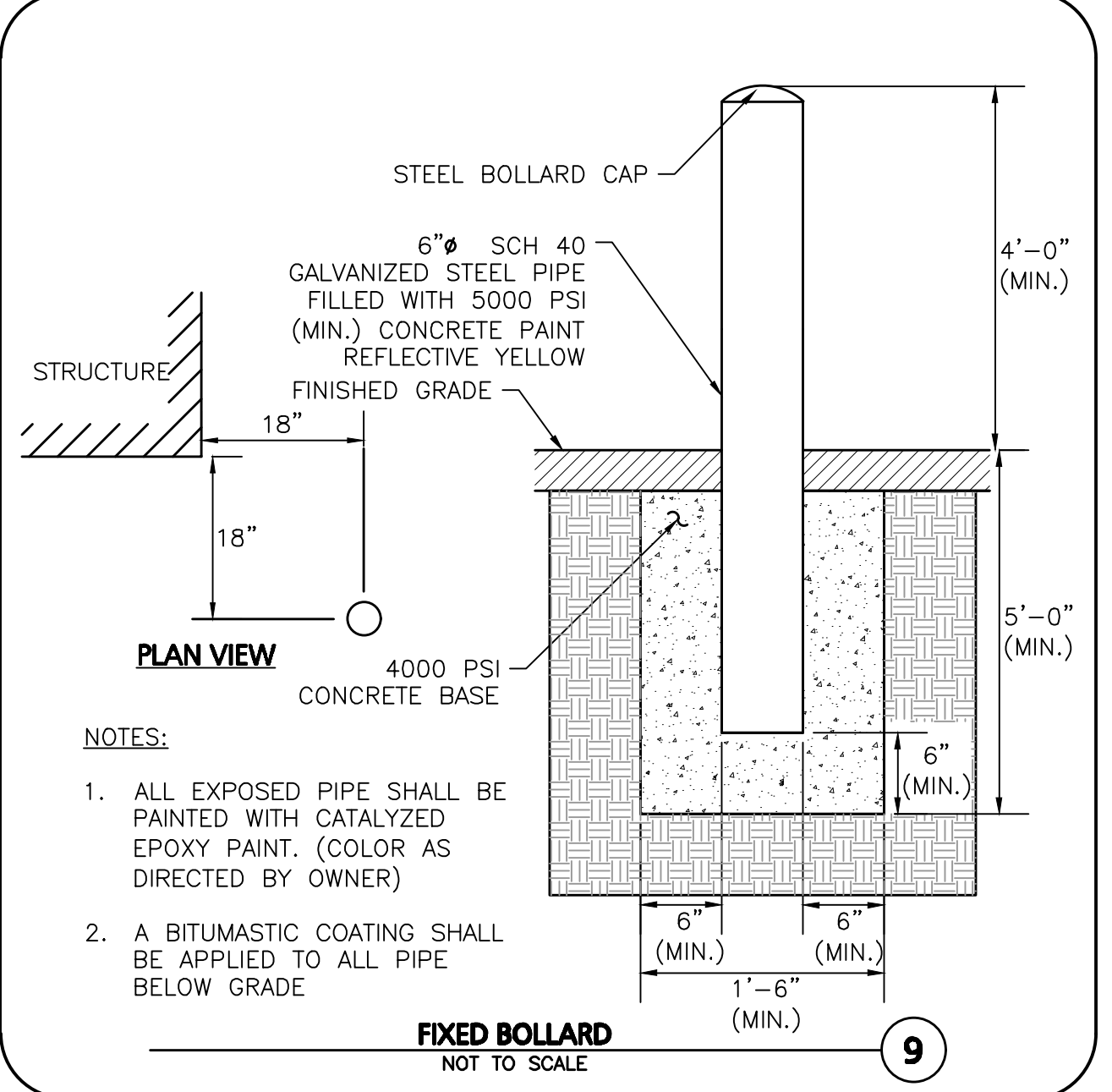


ACCESSIBLE PARKING STALL PAVEMENT MARKING

NOT TO SCALE

8

SYMBOL TO BE CENTERED ON WIDTH OF PARKING STALL. SYMBOL IS REQUIRED TO CONTRAST WITH BACKGROUND. USE WHITE ON BLUE (COLOR #105090 IN FEDERAL STANDARD 5952) DOUBLE COAT.

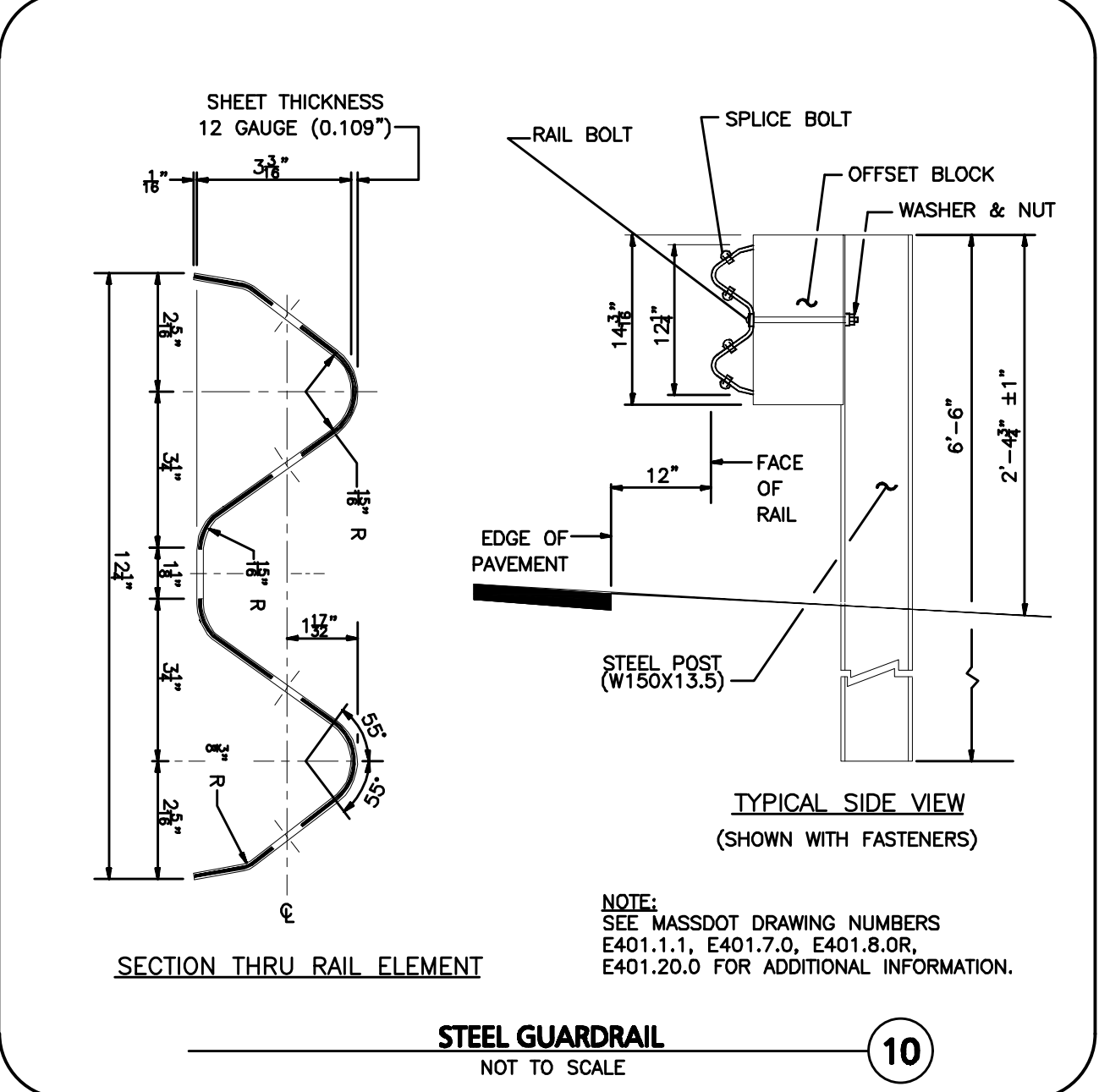


FIXED BOLLARD

NOT TO SCALE

9

- NOTES:
- ALL EXPOSED PIPE SHALL BE PAINTED WITH CATALYZED EPOXY PAINT. (COLOR AS DIRECTED BY OWNER)
 - A BITUMASTIC COATING SHALL BE APPLIED TO ALL PIPE BELOW GRADE



STEEL GUARDRAIL

NOT TO SCALE

10

- NOTE:
- SEE MASSDOT DRAWING NUMBERS E401.1.1, E401.7.0, E401.8.0, E401.20.0 FOR ADDITIONAL INFORMATION.



PROFESSIONAL ENGINEER FOR ALLEN & MAJOR ASSOCIATES, INC.

REV	DATE	DESCRIPTION

APPLICANT/OWNER:

DONEGAL, LLC
 PO BOX 4430
 MANCHESTER, NH 03108

PROJECT:

PROPOSED INDUSTRIAL BUILDING
 6 FORGE PARKWAY
 FRANKLIN, MA
 PARCEL ID: 272-005-000-000

PROJECT NO. 1362-25 DATE: 02-05-24

SCALE: AS SHOWN DWG.: C-1362-25_Details

DESIGNED BY: SM CHECKED BY: MAM

PREPARED BY:



ALLEN & MAJOR ASSOCIATES, INC.

civil engineering • land surveying
 environmental consulting • landscape architecture
 www.allenmajor.com
 100 COMMERCE WAY, SUITE 5
 WOBURN MA 01801
 TEL: (781) 935-6889
 FAX: (781) 935-2896

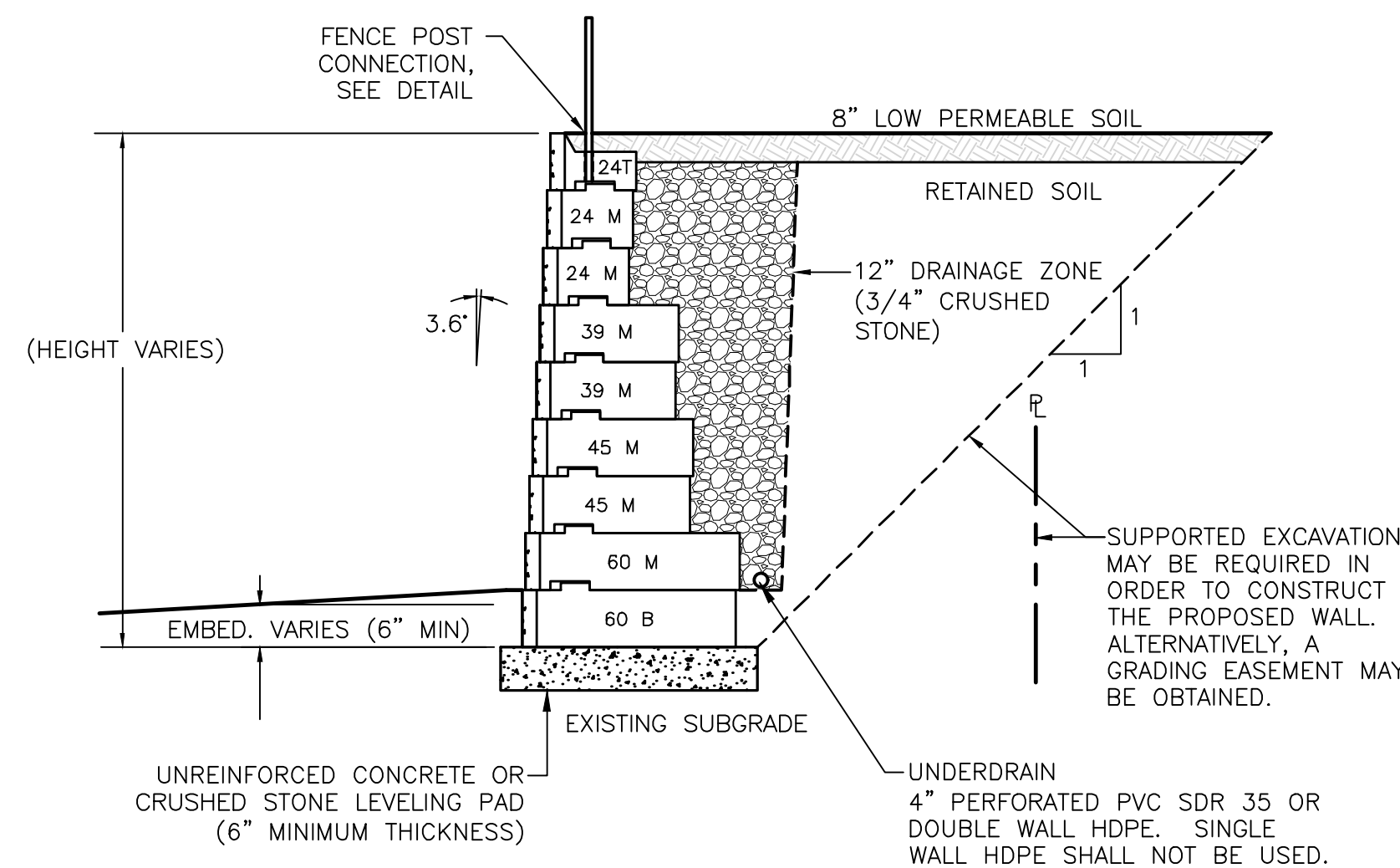
WOBURN, MA • LAKEVILLE, MA • MANCHESTER, NH

THIS DRAWING HAS BEEN PREPARED IN ELECTRONIC FORMAT. CLIENTS/CLIENTS REPRESENTATIVE OR CONSULTANT MAY BE PROVIDED COPIES OF DRAWINGS AND SPECIFICATIONS ON MAGNETIC MEDIA FOR HIS/HER INFORMATION AND USE FOR SPECIFIC APPLICATION TO THIS PROJECT. DUE TO THE POTENTIAL THAT THE MAGNETIC INFORMATION MAY BE MODIFIED UNINTENTIONALLY OR OTHERWISE, ALLEN & MAJOR ASSOCIATES, INC. MAY REMOVE ALL INDICATION OF THE DOCUMENT'S AUTHORSHIP ON THE MAGNETIC MEDIA. PRINTED REPRESENTATIONS OF THE DRAWINGS AND SPECIFICATIONS ISSUED SHALL BE THE ONLY RECORD COPIES OF ALLEN & MAJOR ASSOCIATES, INC.'S WORK PRODUCT.

DRAWING TITLE: DETAILS SHEET No. C-501

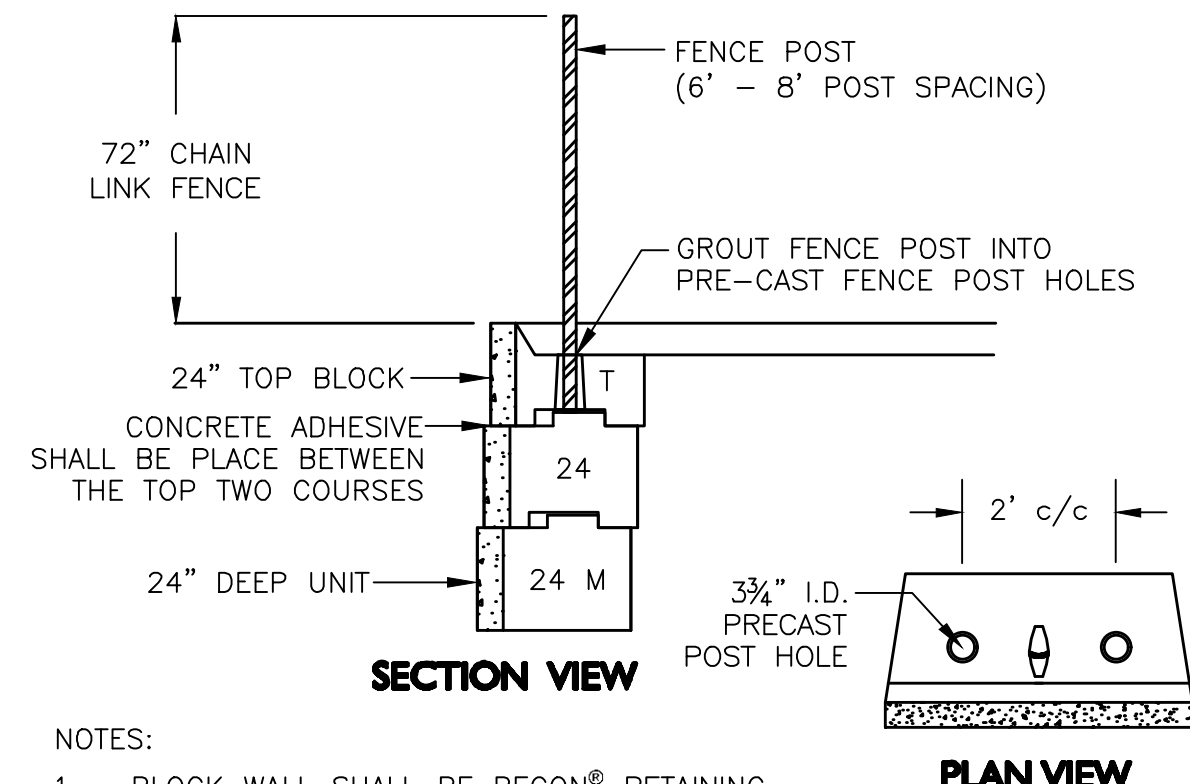
Copyright © 2024 Allen & Major Associates, Inc. All Rights Reserved. 15 OF 24

A:\PROJECTS\1362-25\CIVIL DRAWINGS\CURRENT\0-1362-25-DETAILS.DWG



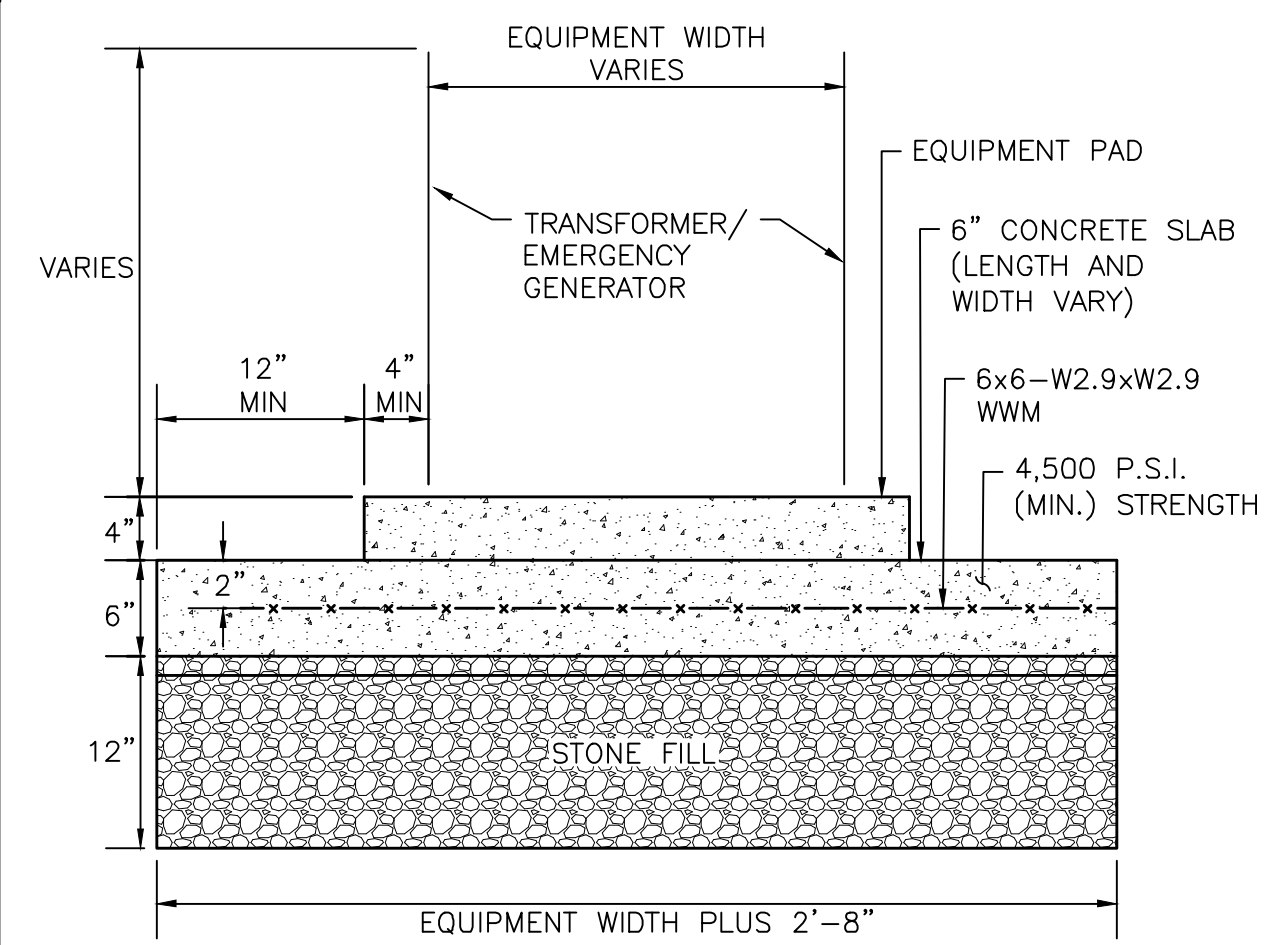
- NOTES:
- BLOCK WALL SHALL BE RECON® RETAINING WALL SYSTEMS OR APPROVED EQUAL.
 - VENDOR INFORMATION:
SHEA WALL SYSTEM INC.
87 HAVERHILL STREET
AMESBURY, MA 01913
PHONE: 800-696-7432
www.sheaconcrete.com
 - RECON BLOCK STYLE SHALL BE "NORTH SHORE GRANITE".
 - THE CONTRACTOR SHALL SUBMIT SHOP DRAWINGS AND WALL CALCULATIONS, PREPARED AND ENDORSED BY A MA REGISTERED PROFESSIONAL ENGINEER, TO THE ENGINEER-OF-RECORD FOR APPROVAL.
 - SEE GRADING PLANS FOR WALL LAYOUT AND HEIGHTS.
 - SHORING, IF USED, WOULD REQUIRE A FORMAL SUBMITTAL, STAMPED BY A GEOTECHNICAL ENGINEER.

BLOCK RETAINING WALL SECTION
NOT TO SCALE **1**



- NOTES:
- BLOCK WALL SHALL BE RECON® RETAINING WALL SYSTEMS OR APPROVED EQUAL.
 - VENDOR INFORMATION:
SHEA WALL SYSTEM INC.
87 HAVERHILL STREET
AMESBURY, MA 01913
PHONE: 800-696-7432
www.sheaconcrete.com

FENCE CONNECTION TO TOP OF WALL
NOT TO SCALE **2**

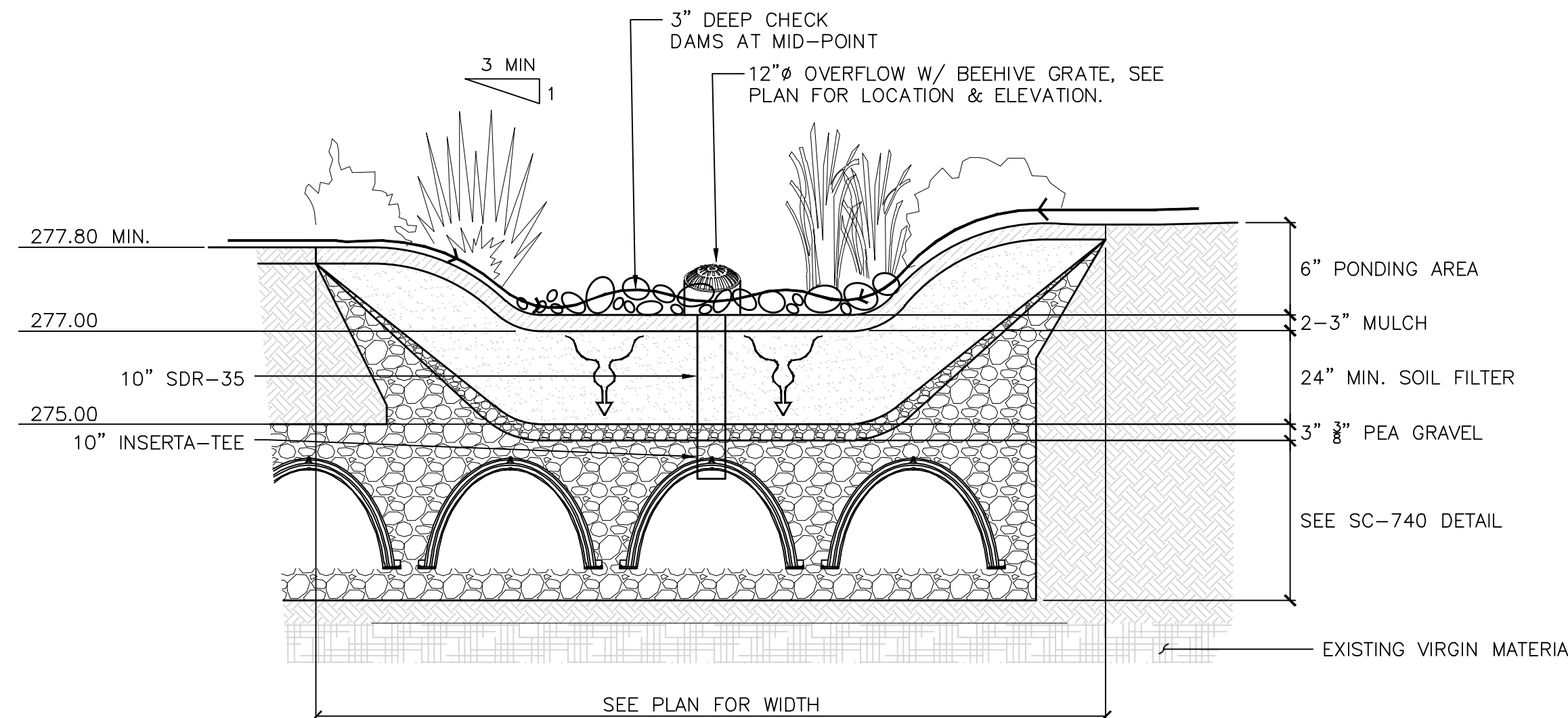


NOTE:
REFERENCE MECHANICAL ENGINEER'S PLANS FOR ANY PIPE, CONDUIT AND GROUND WIRE LOCATIONS

TRANSFORMER PAD
NOT TO SCALE **3**

BIORETENTION FILTER MEDIA		GRADATION OF MATERIAL	
COMPONENT MATERIAL	PERCENT OF MIXTURE BY VOLUME	SIEVE NO.	PERCENT BY WEIGHT PASSING STANDARD SIEVE
ASTM D 422 SAND	40%	200	<5%
LOAMY SAND TOPSOIL, WITH FINES AS INDICATED	20 TO 30%		
COMPOST	30 TO 40%		

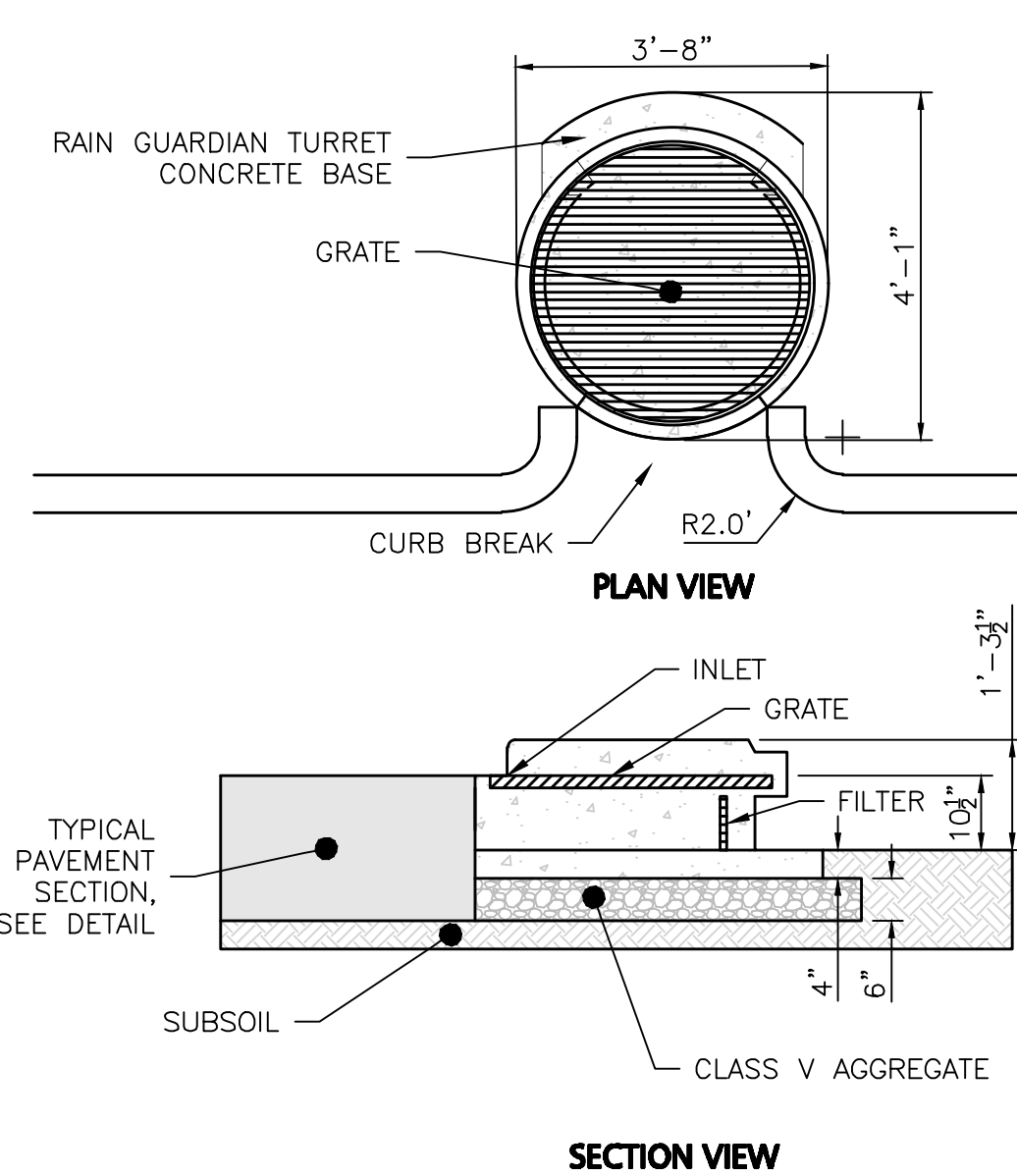
- NOTES:
- SOIL MIX SHALL BE UNIFORM, FREE OF STONES, STUMPS, ROOTS OR SIMILAR OBJECTS LARGER THAN 2".
 - SOIL pH SHOULD GENERALLY BE BETWEEN 5.5-6.5.
 - TOPSOIL COMPONENT SHALL BE A SANDY LOAM, LOAMY SAND, OR LOAM TEXTURE.
 - THE COMPOST COMPONENT SHALL BE PROCESSED FROM YARD WASTE IN ACCORDANCE WITH MASSDEP GUIDELINES. THE COMPOST SHALL NOT CONTAIN BIOSOLIDS.
 - ON-SITE SOIL MIXING OR PLACEMENT IS NOT ALLOWED IF SOIL IS SATURATED OR SUBJECT TO WATER WITHIN 48 HOURS. COVER AND STORE SOIL TO PREVENT WETTING OR SATURATION.



- NOTES:
- SEE LANDSCAPE PLAN FOR PLANT TYPES.
 - GRADING, AND PLANTING OF BIORETENTION SHALL BE COMPLETED IN EARLY PHASES OF CONSTRUCTION. PLANTS AND SEED ON SLOPES AND BOTTOM OF BASIN MUST BE ESTABLISHED PRIOR TO CONNECTING STORM DRAINAGE SYSTEM OUTLETS TO BIORETENTION AREA. PLANTS AND SEED MIX SHALL HAVE A MINIMUM OF 6 MONTHS GROWING, BE ESTABLISHED AND APPROVED BY LANDSCAPE ARCHITECT PRIOR TO CONNECTING STORM DRAINAGE SYSTEM OUTLETS TO BIORETENTION AREA.
 - EROSION CONTROL MEASURES AS SHOWN ON THE EROSION CONTROL PLAN, SHALL BE IN PLACE PRIOR TO ANY REGRADING ACTIVITY.
 - EXCAVATION, FILLING AND PLANTING SHALL OCCUR IN THE DRY. WATER LEVELS MUST BE LOWERED IN THE BIORETENTION AREA BY RELYING ON DRY SEASON AND OR DRY SPELLS; OR MAY BE ACCOMPLISHED THROUGH THE USE OF DEWATERING METHODS. CONTRACTOR SHALL SUBMIT SHOP DRAWINGS OF ANY DEWATERING METHODS FOR REVIEW AND APPROVAL PRIOR TO CONSTRUCTION.
 - WATER FROM ANY DEWATERING OPERATION SHALL BE TREATED TO REDUCE TOTAL SUSPENDED SOLIDS AND BE IN COMPLIANCE WITH STATE AND FEDERAL STANDARDS.

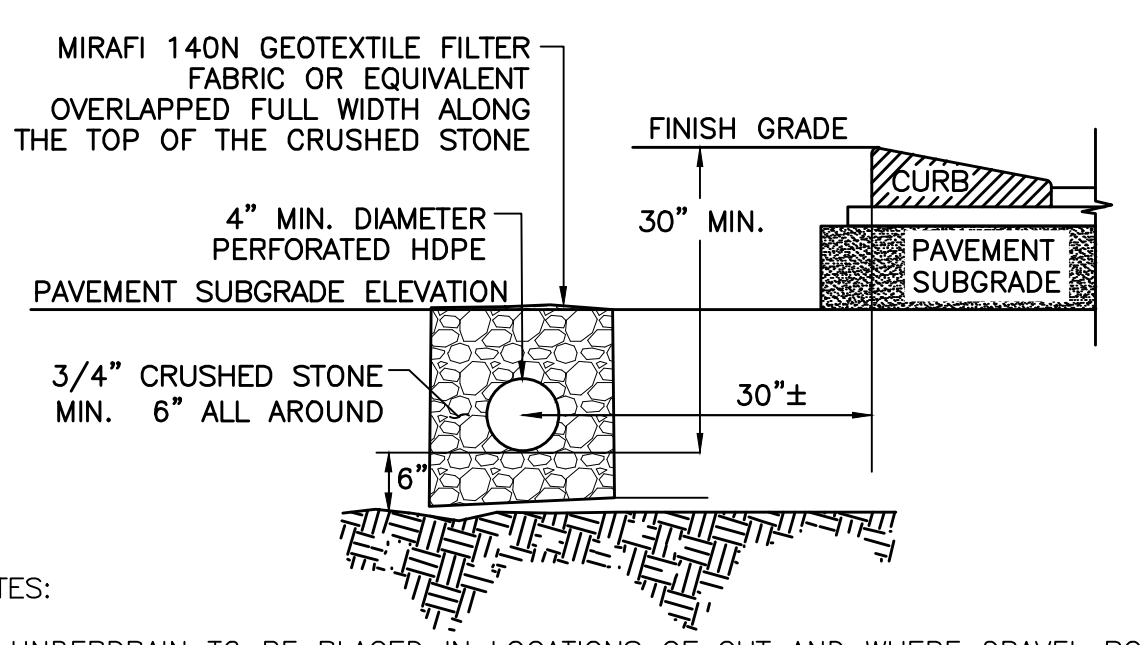
- CONSTRUCTION NOTES:
- DO NOT PLACE THE BIORETENTION SYSTEM INTO SERVICE UNTIL THE BMP HAS BEEN PLANTED AND ITS CONTRIBUTING AREAS HAVE BEEN FULLY STABILIZED.
 - DO NOT DISCHARGE SEDIMENT-LADEN WATERS FROM CONSTRUCTION ACTIVITIES (RUNOFF, WATER FROM EXCAVATIONS) TO THE BIORETENTION AREA DURING ANY STAGE OF CONSTRUCTION.
 - DO NOT TRAFFIC EXPOSED SOIL SURFACE WITH CONSTRUCTION EQUIPMENT. IF FEASIBLE, PERFORM EXCAVATIONS WITH EQUIPMENT POSITIONED OUTSIDE THE LIMITS OF THE INFILTRATION COMPONENTS OF THE SYSTEM.

BIORETENTION SYSTEM DETAIL
NOT TO SCALE **5**



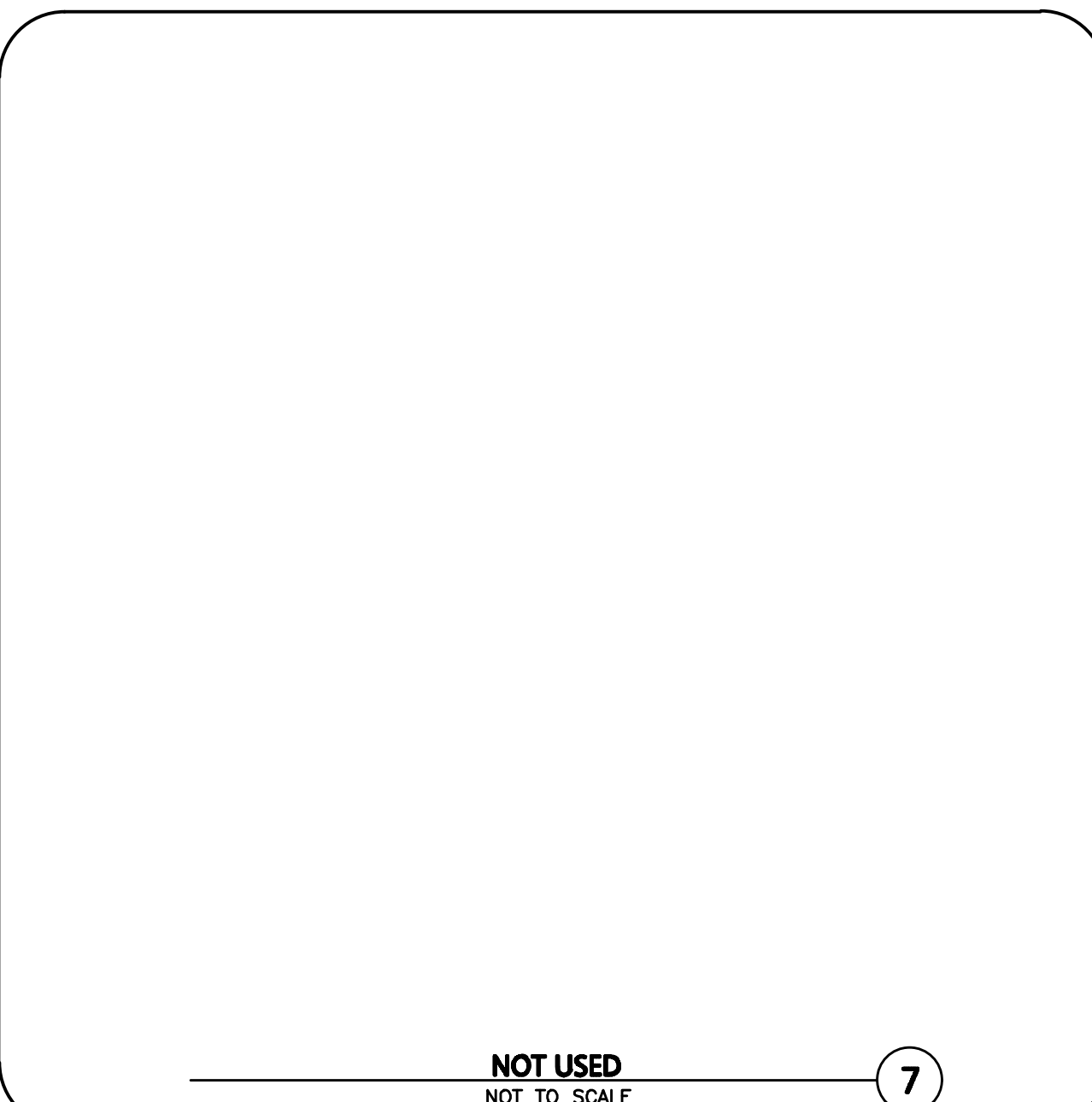
- NOTES:
- STEEL REINFORCED, COLD JOINT SECURED MONOLITHIC CONCRETE STRUCTURE (1,030 LBS).
 - CONCRETE SHALL HAVE A MINIMUM COMPRESSIVE STRENGTH OF 4,000 PSI AT 28 DAYS. CONCRETE AIR ENTRAINMENT (4% TO 8% BY VOLUME).
 - MANUFACTURED AND DESIGNED TO ASTM C858.
 - THREE-POINT PICK USING RECESSED LIFTING POCKETS WITH A STANDARD HOOK.
 - SOIL UNDER BASE TO BE COMPACTED TO 95% STANDARD PROCTOR.
 - TWO-PIECE LIGHT DUTY GALVANIZED GRATE (34.5 LBS/PIECE) FOR 541 LB CONCENTRATED LOAD OR 309 LB/SQ FT UNIFORM LOAD.
 - TWO-PIECE HEAVY DUTY GALVANIZED GRATE (77.5 LBS/PIECE) FOR 2,456 LB CONCENTRATED LOAD OR 1,404 LB/SQ FT UNIFORM LOAD.
 - USE EXPANSION JOINT MATERIAL BETWEEN TURRET AND BIORETENTION INLET.
 - PLACE TUBULAR BARRIER ACROSS CURB BREAK DURING CONSTRUCTION TO PREVENT SEDIMENT FROM ENTERING BIORETENTION SYSTEM.

RAIN GUARDIAN - TURRET TYPICAL DETAIL
NOT TO SCALE **4**



- NOTES:
- UNDERDRAIN TO BE PLACED IN LOCATIONS OF CUT AND WHERE GRAVEL ROAD BASE WILL BE BELOW EXISTING GRADE.
 - THE UNDERDRAIN SHALL CONSIST OF A 4 INCH DIAMETER PERFORATED HDPE PIPE SURROUNDED WITH AT LEAST 6 INCHES OF 3/4" CRUSHED STONE OVER THE TOP OF PIPE. CRUSHED STONE OVER THE TOP OF PIPE SHALL EXTEND UP TO THE PROPOSED PAVEMENT SUBGRADE ELEVATION.
 - THE CRUSHED STONE SHALL BE WRAPPED IN FILTER FABRIC (MIRAFI 140N OR APPROVED EQUAL) AND OVERLAPPED FULL WIDTH ON THE TOP.
 - THE PIPE SHALL BE LAID FLAT AND SHALL CONNECT TO A SOLID PIPE BEFORE GOING UNDER ANY PAVEMENT AREAS.
 - THE BOTTOM OF THE PIPE SHALL BE AT LEAST 30 INCHES BELOW THE PROPOSED FINISH GRADE.

DRIVEWAY UNDERDRAIN
NOT TO SCALE **6**



NOT USED
NOT TO SCALE **7**



PROFESSIONAL ENGINEER FOR ALLEN & MAJOR ASSOCIATES, INC.

REV	DATE	DESCRIPTION

APPLICANT/OWNER:
DONEGAL, LLC
PO BOX 4430
MANCHESTER, NH 03108

PROJECT:
PROPOSED INDUSTRIAL BUILDING
6 FORGE PARKWAY
FRANKLIN, MA
PARCEL ID: 272-005-000-000

PROJECT NO. 1362-25 DATE: 02-05-24

SCALE: AS SHOWN DWG.: C-1362-25_Details

DESIGNED BY: SM CHECKED BY: MAM

PREPARED BY:



WOBURN, MA • LAKEVILLE, MA • MANCHESTER, NH

THIS DRAWING HAS BEEN PREPARED IN ELECTRONIC FORMAT. CLIENTS REPRESENTATIVE OR CONSULTANT MAY BE PROVIDED COPIES OF DRAWINGS AND SPECIFICATIONS ON MAGNETIC MEDIA FOR HIS/HER INFORMATION AND USE FOR SPECIFIC APPLICATION TO THIS PROJECT. DUE TO THE POTENTIAL THAT THE MAGNETIC INFORMATION MAY BE MODIFIED UNINTENTIONALLY OR OTHERWISE, ALLEN & MAJOR ASSOCIATES, INC. MAY REMOVE ALL INDICATION OF THE DOCUMENT'S AUTHORSHIP ON THE MAGNETIC MEDIA. PRINTED REPRESENTATIONS OF THE DRAWINGS AND SPECIFICATIONS ISSUED SHALL BE THE ONLY RECORD COPIES OF ALLEN & MAJOR ASSOCIATES, INC.'S WORK PRODUCT.

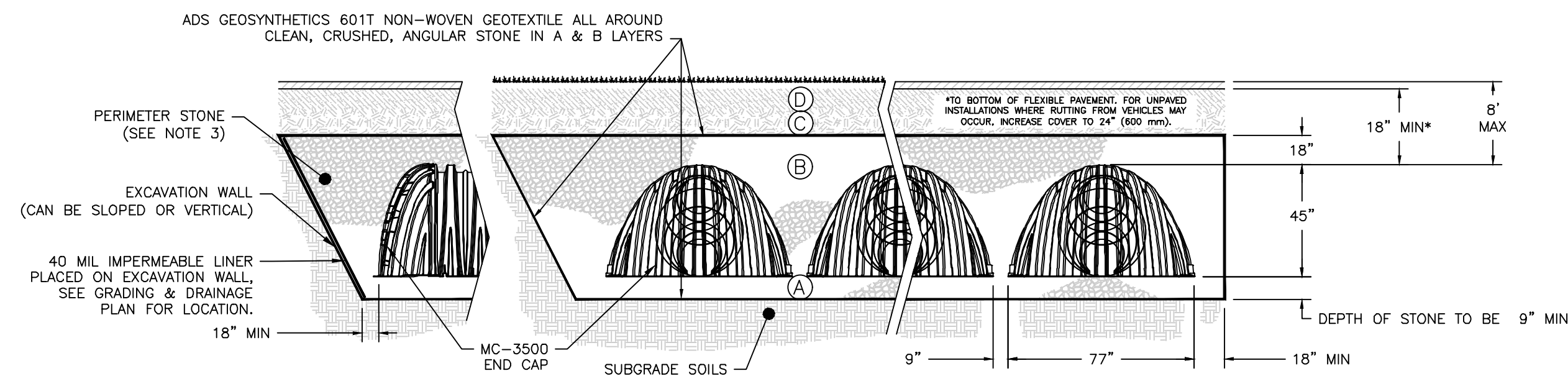
DRAWING TITLE: SHEET No.

DETAILS C-503

ACCEPTABLE FILL MATERIALS: STORMTECH MC-3500 CHAMBER SYSTEMS

MATERIAL LOCATION	DESCRIPTION	AASHTO MATERIAL CLASSIFICATIONS	COMPACTION / DENSITY REQUIREMENT
D	FINAL FILL: FILL MATERIAL FOR LAYER 'D' STARTS FROM THE TOP OF THE 'C' LAYER TO THE BOTTOM OF FLEXIBLE PAVEMENT OR UNPAVED FINISHED GRADE ABOVE. NOTE THAT PAVEMENT SUBBASE MAY BE PART OF THE 'D' LAYER.	N/A	PREPARE PER SITE DESIGN ENGINEER'S PLANS.
C	INITIAL FILL: FILL MATERIAL FOR LAYER 'C' STARTS FROM THE TOP OF THE EMBEDMENT STONE ('B' LAYER) TO 24" (600 mm) ABOVE THE TOP OF THE CHAMBER. NOTE THAT PAVEMENT SUBBASE MAY BE A PART OF THE 'C' LAYER.	AASHTO M145 ¹ A-1, A-2-4, A-3 OR AASHTO M43 ¹ 3, 357, 4, 467, 5, 56, 57, 6, 67, 68, 7, 78, 8, 89, 9, 10	BEGIN COMPACTIONS AFTER 24" (600 mm) OF MATERIAL OVER THE CHAMBERS IS REACHED. COMPACT ADDITIONAL LAYERS IN 12" (300 mm) MAX LIFTS TO A MIN. 95% PROCTOR DENSITY FOR WELL GRADED MATERIAL AND 95% RELATIVE DENSITY FOR PROCESSED AGGREGATE MATERIALS.
B	EMBEDMENT STONE: FILL SURROUNDING THE CHAMBERS FROM THE FOUNDATION STONE ('A' LAYER) TO THE 'C' LAYER ABOVE.	AASHTO M43 ¹ 3, 4	
A	FOUNDATION STONE: FILL BELOW CHAMBERS FROM THE SUBGRADE UP TO THE FOOT (BOTTOM) OF THE CHAMBER.	AASHTO M43 ¹ 3, 4	PLATE COMPACT OR ROLL TO ACHIEVE A FLAT SURFACE. ^{2,3}

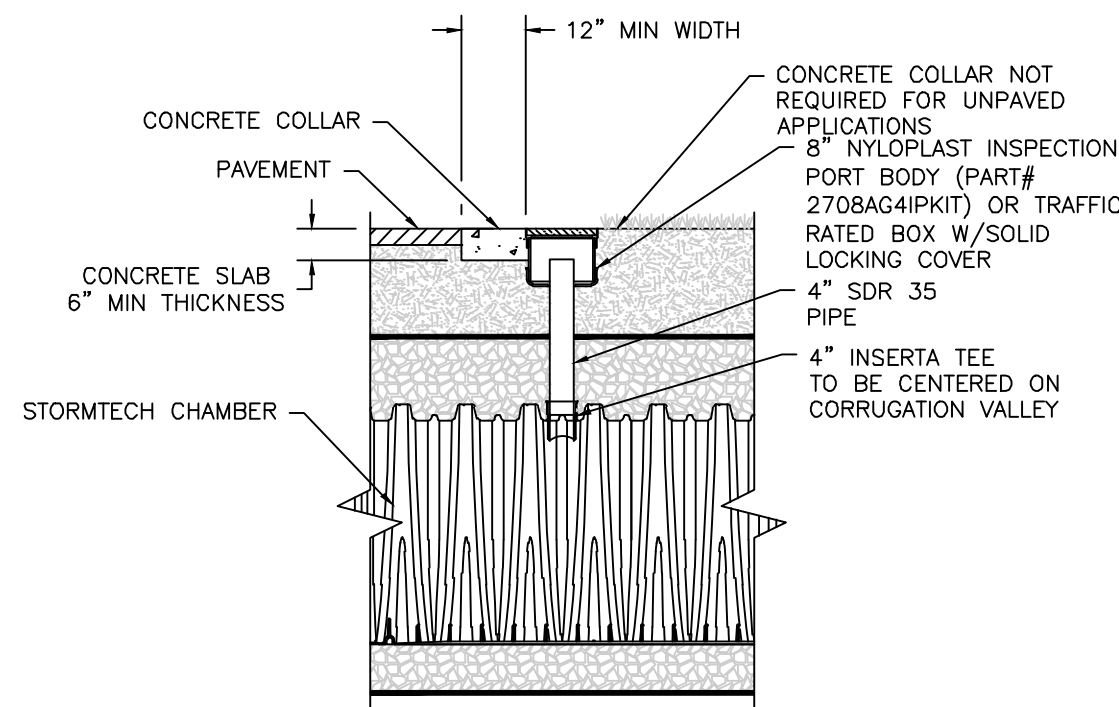
- PLEASE NOTE:
- THE LISTED AASHTO DESIGNATIONS ARE FOR GRADATIONS ONLY. THE STONE MUST ALSO BE CLEAN, CRUSHED, ANGULAR. FOR EXAMPLE, A SPECIFICATION FOR #4 STONE WOULD STATE: "CLEAN, CRUSHED, ANGULAR NO. 4 (AASHTO M43) STONE".
 - STORMTECH COMPACTION REQUIREMENTS ARE MET FOR 'A' LOCATION MATERIALS WHEN PLACED AND COMPACTED IN 9" (230 mm) (MAX) LIFTS USING TWO FULL COVERAGES WITH A VIBRATORY COMPACTOR.
 - WHERE INFILTRATION SURFACES MAY BE COMPROMISED BY COMPACTION, FOR STANDARD DESIGN LOAD CONDITIONS, A FLAT SURFACE MAY BE ACHIEVED BY RAKING OR DRAGGING WITHOUT COMPACTION EQUIPMENT. FOR SPECIAL LOAD DESIGNS, CONTACT STORMTECH FOR COMPACTION REQUIREMENTS.
 - ONCE LAYER 'C' IS PLACED, ANY SOIL/MATERIAL CAN BE PLACED IN LAYER 'D' UP TO THE FINISHED GRADE. MOST PAVEMENT SUBBASE SOILS CAN BE USED TO REPLACE THE MATERIAL REQUIREMENTS OF LAYER 'C' OR 'D' AT THE SITE DESIGN ENGINEER'S DISCRETION.



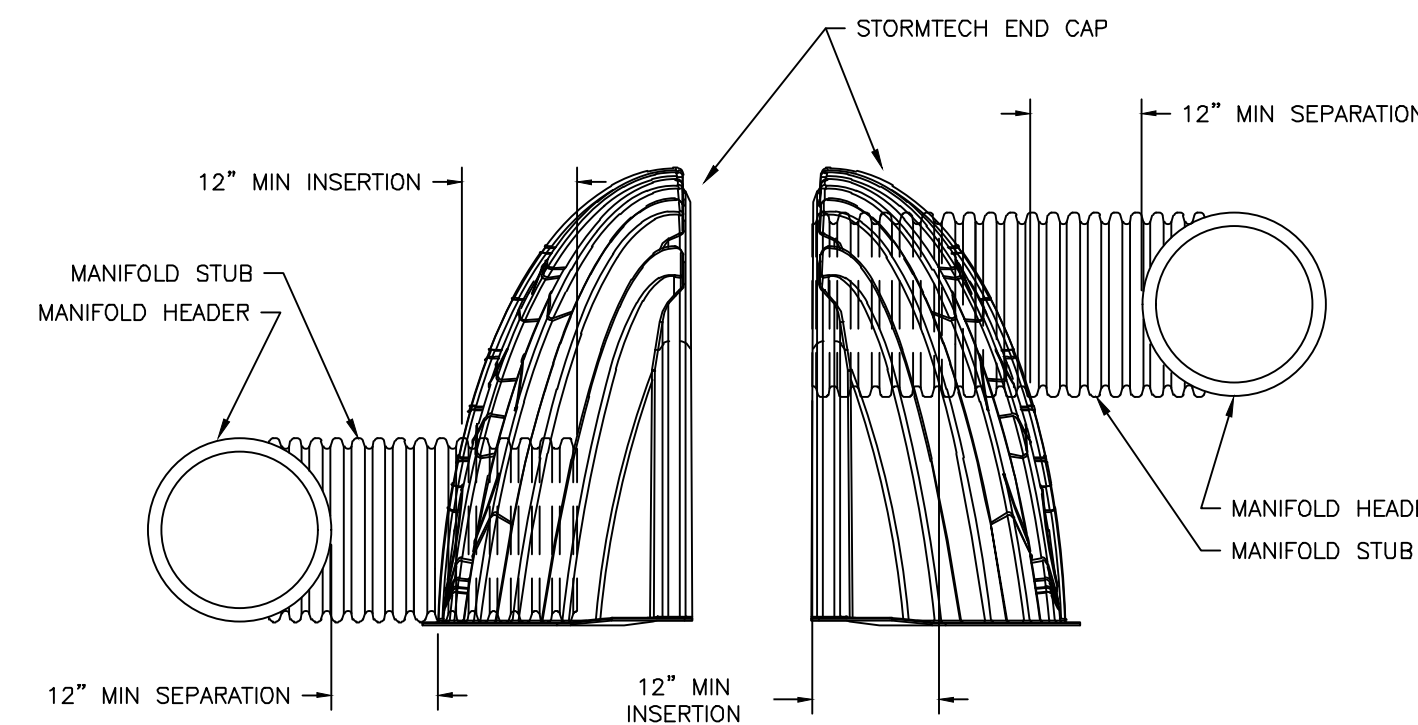
- NOTES:**
- CHAMBERS SHALL MEET THE REQUIREMENTS OF ASTM F2418, "STANDARD SPECIFICATION FOR POLYPROPYLENE (PP) CORRUGATED WALL STORMWATER COLLECTION CHAMBERS" CHAMBER CLASSIFICATION 45x76 DESIGNATION SS.
 - MC-3500 CHAMBERS SHALL BE DESIGNED IN ACCORDANCE WITH ASTM F2787 "STANDARD PRACTICE FOR STRUCTURAL DESIGN OF THERMOPLASTIC CORRUGATED WALL STORMWATER COLLECTION CHAMBERS".
 - PERIMETER STONE MUST BE EXTENDED HORIZONTALLY TO THE EXCAVATION WALL FOR BOTH VERTICAL AND SLOPED EXCAVATION WALLS.
 - REQUIREMENTS FOR HANDLING AND INSTALLATION:
 - TO MAINTAIN THE WIDTH OF CHAMBERS DURING SHIPPING AND HANDLING, CHAMBERS SHALL HAVE INTEGRAL, INTERLOCKING STACKING LUGS.
 - TO ENSURE A SECURE JOINT DURING INSTALLATION AND BACKFILL, THE HEIGHT OF THE CHAMBER JOINT SHALL NOT BE LESS THAN 3".
 - TO ENSURE THE INTEGRITY OF THE ARCH SHAPE DURING INSTALLATION, a) THE ARCH STIFFNESS CONSTANT AS DEFINED IN SECTION 6.2.8 OF ASTM F2418 SHALL BE GREATER THAN OR EQUAL TO 500 LBS/FT.², AND b) TO RESIST CHAMBER DEFORMATION DURING INSTALLATION AT ELEVATED TEMPERATURES (ABOVE 73° F / 23° C), CHAMBERS SHALL BE PRODUCED FROM REFLECTIVE GOLD OR YELLOW COLORS.

MC-3500 STORMTECH CHAMBER SPECIFICATIONS

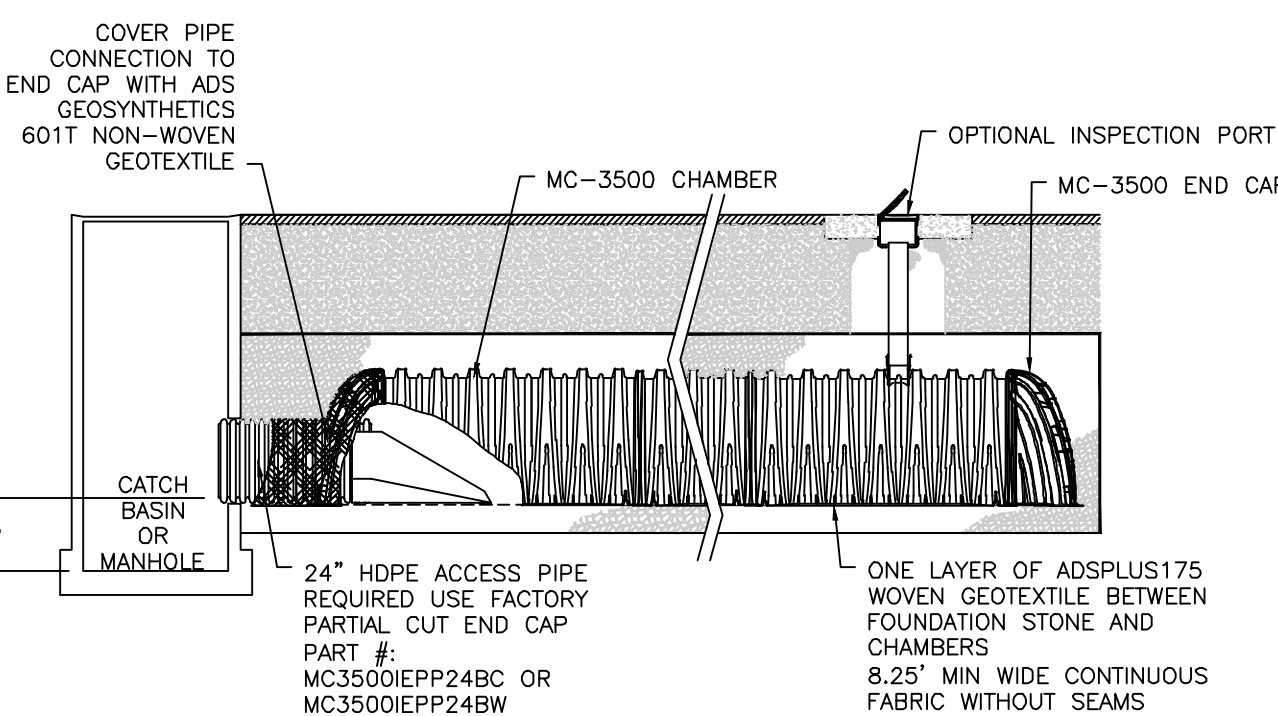
- CHAMBERS SHALL BE STORMTECH MC-3500.
- CHAMBERS SHALL BE ARCH-SHAPED AND SHALL BE MANUFACTURED FROM VIRGIN, IMPACT-MODIFIED POLYPROPYLENE COPOLYMERS.
- CHAMBERS SHALL MEET THE REQUIREMENTS OF ASTM F2418, "STANDARD SPECIFICATION FOR POLYPROPYLENE (PP) CORRUGATED WALL STORMWATER COLLECTION CHAMBERS" CHAMBER CLASSIFICATION 45x76 DESIGNATION SS.
- CHAMBER ROWS SHALL PROVIDE CONTINUOUS, UNOBSTRUCTED INTERNAL SPACE WITH NO INTERNAL SUPPORTS THAT WOULD IMPEDE FLOW OR LIMIT ACCESS FOR INSPECTION.
- THE STRUCTURAL DESIGN OF THE CHAMBERS, THE STRUCTURAL BACKFILL, AND THE INSTALLATION REQUIREMENTS SHALL ENSURE THAT THE LOAD FACTORS SPECIFIED IN THE AASHTO LRFD BRIDGE DESIGN SPECIFICATIONS, SECTION 12.12, ARE MET FOR: 1) LONG-DURATION DEAD LOADS AND 2) SHORT-DURATION LIVE LOADS, BASED ON THE AASHTO DESIGN TRUCK WITH CONSIDERATION FOR IMPACT AND MULTIPLE VEHICLE PRESENCES.
- CHAMBERS SHALL BE DESIGNED, TESTED AND ALLOWABLE LOAD CONFIGURATIONS DETERMINED IN ACCORDANCE WITH ASTM F2787, "STANDARD PRACTICE FOR STRUCTURAL DESIGN OF THERMOPLASTIC CORRUGATED WALL STORMWATER COLLECTION CHAMBERS". LOAD CONFIGURATIONS SHALL INCLUDE: 1) INSTANTANEOUS (<1 MIN) AASHTO DESIGN TRUCK LIVE LOAD ON MINIMUM COVER 2) MAXIMUM PERMANENT (75-YR) COVER LOAD AND 3) ALLOWABLE COVER WITH PARKED (1-WEEK) AASHTO DESIGN TRUCK.
- REQUIREMENTS FOR HANDLING AND INSTALLATION:
 - TO MAINTAIN THE WIDTH OF CHAMBERS DURING SHIPPING AND HANDLING, CHAMBERS SHALL HAVE INTEGRAL, INTERLOCKING STACKING LUGS.
 - TO ENSURE A SECURE JOINT DURING INSTALLATION AND BACKFILL, THE HEIGHT OF THE CHAMBER JOINT SHALL NOT BE LESS THAN 3".
 - TO ENSURE THE INTEGRITY OF THE ARCH SHAPE DURING INSTALLATION, a) THE ARCH STIFFNESS CONSTANT AS DEFINED IN SECTION 6.2.8 OF ASTM F2418 SHALL BE GREATER THAN OR EQUAL TO 500 LBS/FT.², AND b) TO RESIST CHAMBER DEFORMATION DURING INSTALLATION AT ELEVATED TEMPERATURES (ABOVE 73° F / 23° C), CHAMBERS SHALL BE PRODUCED FROM REFLECTIVE GOLD OR YELLOW COLORS.
- ONLY CHAMBERS THAT ARE APPROVED BY THE SITE DESIGN ENGINEER WILL BE ALLOWED. UPON REQUEST BY THE SITE DESIGN ENGINEER OR OWNER, THE CHAMBER MANUFACTURER SHALL SUBMIT A STRUCTURAL EVALUATION FOR APPROVAL BEFORE DELIVERING CHAMBERS TO THE PROJECT SITE AS FOLLOWS:
 - THE STRUCTURAL EVALUATION SHALL BE SEALED BY A REGISTERED PROFESSIONAL ENGINEER.
 - THE STRUCTURAL EVALUATION SHALL DEMONSTRATE THAT THE SAFETY FACTORS ARE GREATER THAN OR EQUAL TO 1.95 FOR DEAD LOAD AND 1.75 FOR LIVE LOAD, THE MINIMUM REQUIRED BY ASTM F2787 AND BY SECTIONS 3 AND 12.12 OF THE AASHTO LRFD BRIDGE DESIGN SPECIFICATIONS FOR THERMOPLASTIC PIPE.
 - THE TEST DERIVED CREEP MODULUS AS SPECIFIED IN ASTM F2418 SHALL BE USED FOR PERMANENT DEAD LOAD DESIGN EXCEPT THAT IT SHALL BE THE 75-YEAR MODULUS USED FOR DESIGN.
- CHAMBERS AND END CAPS SHALL BE PRODUCED AT AN ISO 9001 CERTIFIED MANUFACTURING FACILITY.



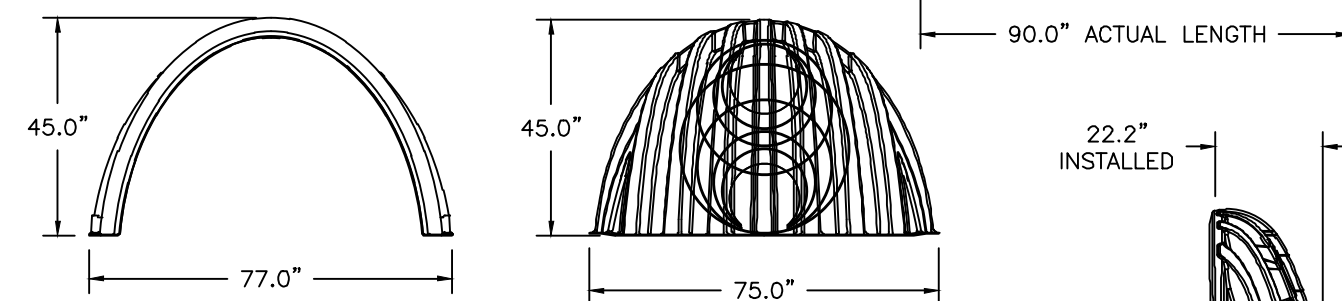
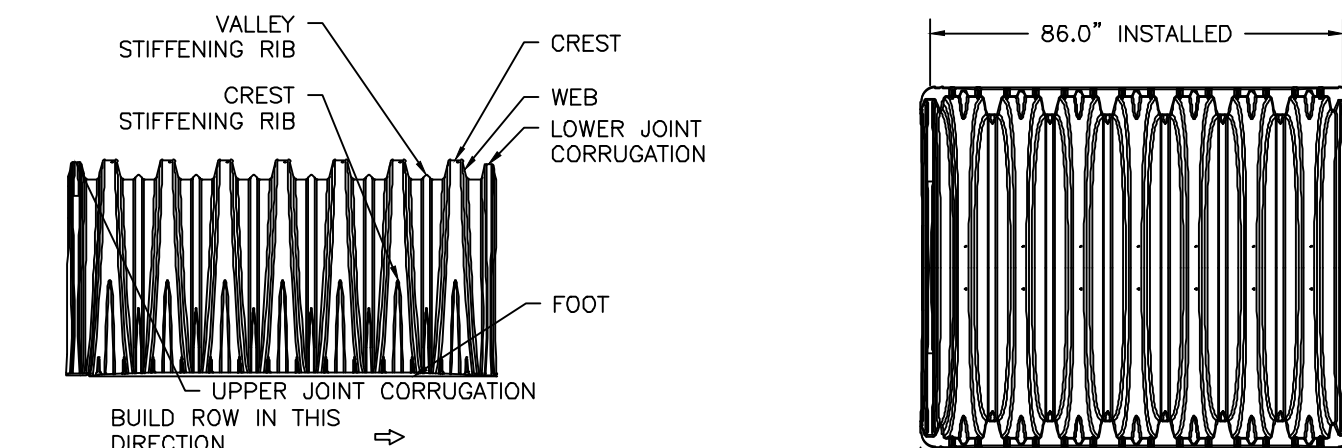
NOTE: INSPECTION PORTS MAY BE CONNECTED THROUGH ANY CHAMBER CORRUGATION VALLEY.



NOTE: MANIFOLD STUB MUST BE LAID HORIZONTAL FOR A PROPER FIT IN END CAP OPENING.



MC-3500 - ISOLATOR ROW PLUS DETAIL
NOT TO SCALE



NOMINAL CHAMBER SPECIFICATIONS
SIZE (W X H X INSTALLED LENGTH)
CHAMBER STORAGE
MINIMUM INSTALLED STORAGE*
WEIGHT

NOMINAL END CAP SPECIFICATIONS
SIZE (W X H X INSTALLED LENGTH)
END CAP STORAGE
MINIMUM INSTALLED STORAGE*
WEIGHT

*ASSUMES 12" STONE ABOVE, 9" STONE FOUNDATION, 6" STONE BETWEEN CHAMBERS, 6" STONE PERIMETER IN FRONT OF END CAPS AND 40% STONE POROSITY.

PARTIAL CUT HOLES AT BOTTOM OF END CAP FOR PART NUMBERS ENDING WITH "B"
PARTIAL CUT HOLES AT TOP OF END CAP FOR PART NUMBERS ENDING WITH "T"
END CAPS WITH A PREFABRICATED WELDED STUB END WITH "W"
END CAPS WITH A WELDED CROWN PLATE END WITH "C"

PART #	STUB	B	C
MC3500IEPP06T	6"	33.21"	---
MC3500IEPP06B	---	---	0.66"
MC3500IEPP08T	8"	31.16"	---
MC3500IEPP08B	---	---	0.81"
MC3500IEPP10T	10"	29.04"	---
MC3500IEPP10B	---	---	0.93"
MC3500IEPP12T	12"	26.36"	---
MC3500IEPP12B	---	---	1.35"
MC3500IEPP15T	15"	23.39"	---
MC3500IEPP15B	---	---	1.50"
MC3500IEPP18TC	---	---	---
MC3500IEPP18TW	---	20.03"	---
MC3500IEPP18BC	---	---	---
MC3500IEPP18BW	---	---	1.77"
MC3500IEPP24TC	---	---	---
MC3500IEPP24TW	24"	14.48"	---
MC3500IEPP24BC	---	---	2.06"
MC3500IEPP24BW	---	---	---
MC3500IEPP30BC	30"	---	2.75"

NOTE: ALL DIMENSIONS ARE NOMINAL

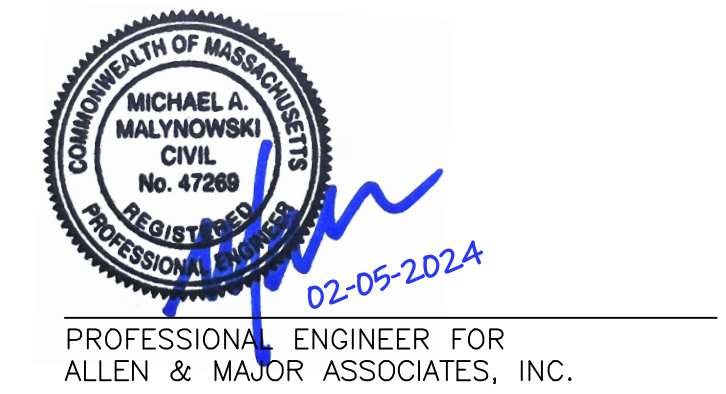
TECHNICAL SPECIFICATIONS
NOT TO SCALE

INSPECTION & MAINTENANCE

- STEP 1) INSPECT ISOLATOR ROW PLUS FOR SEDIMENT
- INSPECTION PORTS (IF PRESENT)
 - REMOVE/OPEN LID ON NYLOPLAST INLINE DRAIN
 - REMOVE AND CLEAN FLEXSTORM FILTER IF INSTALLED
 - USING A FLASHLIGHT AND STADIA ROD, MEASURE DEPTH OF SEDIMENT AND RECORD ON MAINTENANCE LOG
 - LOWER A CAMERA INTO ISOLATOR ROW PLUS FOR VISUAL INSPECTION OF SEDIMENT LEVELS (OPTIONAL)
 - IF SEDIMENT IS AT, OR ABOVE, 3" (80 mm) PROCEED TO STEP 2. IF NOT, PROCEED TO STEP 3.
- B. ALL ISOLATOR PLUS ROWS
- REMOVE COVER FROM STRUCTURE AT UPSTREAM END OF ISOLATOR ROW PLUS
 - USING A FLASHLIGHT, INSPECT DOWN THE ISOLATOR ROW PLUS THROUGH OUTLET PIPE
 - MIRRORS ON POLES OR CAMERAS MAY BE USED TO AVOID A CONFINED SPACE ENTRY
 - FOLLOW OSHA REGULATIONS FOR CONFINED SPACE ENTRY IF ENTERING MANHOLE
 - IF SEDIMENT IS AT, OR ABOVE, 3" (80 mm) PROCEED TO STEP 2. IF NOT, PROCEED TO STEP 3.
- STEP 2) CLEAN OUT ISOLATOR ROW PLUS USING THE JETVAC PROCESS
- A FIXED CULVERT CLEANING NOZZLE WITH REAR FACING SPREAD OF 45" (1.1 m) OR MORE IS PREFERRED
 - APPLY MULTIPLE PASSES OF JETVAC UNTIL BACKFLUSH WATER IS CLEAN
 - VACUUM STRUCTURE SUMP AS REQUIRED
- STEP 3) REPLACE ALL COVERS, GRATES, FILTERS, AND LIDS; RECORD OBSERVATIONS AND ACTIONS.
- STEP 4) INSPECT AND CLEAN BASINS AND MANHOLES UPSTREAM OF THE STORMTECH SYSTEM.

NOTES

- INSPECT EVERY 6 MONTHS DURING THE FIRST YEAR OF OPERATION. ADJUST THE INSPECTION INTERVAL BASED ON PREVIOUS OBSERVATIONS OF SEDIMENT ACCUMULATION AND HIGH WATER ELEVATIONS.
- CONDUCT JETTING AND VACTORING ANNUALLY OR WHEN INSPECTION SHOWS THAT MAINTENANCE IS NECESSARY.



PROFESSIONAL ENGINEER FOR ALLEN & MAJOR ASSOCIATES, INC.

REVISIONS

REV	DATE	DESCRIPTION

APPLICANT/OWNER:
DONEGAL, LLC
PO BOX 4430
MANCHESTER, NH 03108

PROJECT:
PROPOSED INDUSTRIAL BUILDING
6 FORGE PARKWAY
FRANKLIN, MA
PARCEL ID: 272-005-000-000

PROJECT NO. 1362-25 DATE: 02-05-24

SCALE: AS SHOWN DWG.: C-1362-25_Details

DESIGNED BY: SM CHECKED BY: MAM

PREPARED BY:



WOBURN, MA • LAKEVILLE, MA • MANCHESTER, NH

THIS DRAWING HAS BEEN PREPARED IN ELECTRONIC FORMAT. CLIENTS/CLIENTS' REPRESENTATIVE OR CONSULTANT MAY BE PROVIDED COPIES OF DRAWINGS AND SPECIFICATIONS ON MAGNETIC MEDIA FOR HIS/HER INFORMATION AND USE FOR SPECIFIC APPLICATION TO THIS PROJECT. DUE TO THE POTENTIAL THAT THE MAGNETIC INFORMATION MAY BE MODIFIED UNINTENTIONALLY OR OTHERWISE, ALLEN & MAJOR ASSOCIATES, INC. MAY REMOVE ALL INDICATION OF THE DOCUMENT'S AUTHORSHIP ON THE MAGNETIC MEDIA. PRINTED REPRESENTATIONS OF THE DRAWINGS AND SPECIFICATIONS ISSUED SHALL BE THE ONLY RECORD COPIES OF ALLEN & MAJOR ASSOCIATES, INC.'S WORK PRODUCT.

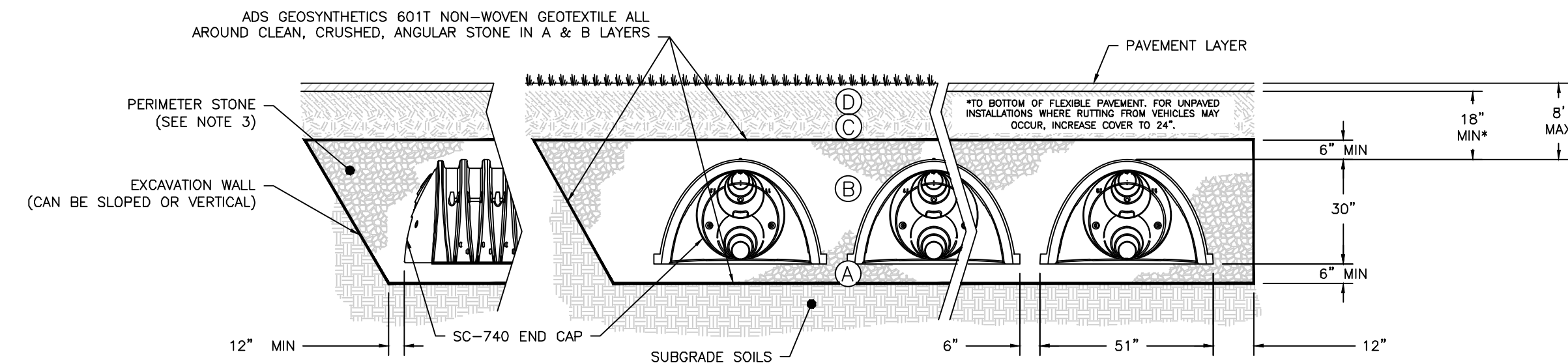
DRAWING TITLE: DETAILS SHEET No. C-504



ACCEPTABLE FILL MATERIALS: STORMTECH SC-740 CHAMBER SYSTEMS

MATERIAL LOCATION	DESCRIPTION	AASHTO MATERIAL CLASSIFICATIONS	COMPACTION / DENSITY REQUIREMENT
D	FINAL FILL: FILL MATERIAL FOR LAYER 'D' STARTS FROM THE TOP OF THE 'C' LAYER TO THE BOTTOM OF FLEXIBLE PAVEMENT OR UNPAVED FINISHED GRADE ABOVE. NOTE THAT PAVEMENT SUBBASE MAY BE PART OF THE 'D' LAYER.	N/A	PREPARE PER SITE DESIGN ENGINEER'S PLANS. PAVED INSTALLATIONS MAY HAVE STRINGENT MATERIAL AND PREPARATION REQUIREMENTS.
C	INITIAL FILL: FILL MATERIAL FOR LAYER 'C' STARTS FROM THE TOP OF THE EMBEDMENT STONE ('B' LAYER) TO 18" (450 mm) ABOVE THE TOP OF THE CHAMBER. NOTE THAT PAVEMENT SUBBASE MAY BE A PART OF THE 'C' LAYER.	AASHTO M145 ¹ A-1, A-2-4, A-3 OR AASHTO M43 ¹ 3, 357, 4, 467, 5, 56, 57, 6, 67, 68, 7, 78, 8, 89, 9, 10	BEGIN COMPACTIONS AFTER 12" OF MATERIAL OVER THE CHAMBERS IS REACHED. COMPACT ADDITIONAL LAYERS IN 6" MAX LIFTS TO A MIN. 95% PROCTOR DENSITY FOR WELL GRADED MATERIAL AND 92% RELATIVE DENSITY FOR PROCESSED AGGREGATE MATERIALS. ROLLER GROSS VEHICLE WEIGHT NOT TO EXCEED 12,000 lbs. DYNAMIC FORCE NOT TO EXCEED 20,000 lbs.
B	EMBEDMENT STONE: FILL SURROUNDING THE CHAMBERS FROM THE FOUNDATION STONE ('A' LAYER) TO THE 'C' LAYER ABOVE.	AASHTO M43 ¹ 3, 357, 4, 467, 5, 56, 57	NO COMPACTION REQUIRED.
A	FOUNDATION STONE: FILL BELOW CHAMBERS FROM THE SUBGRADE UP TO THE FOOT (BOTTOM) OF THE CHAMBER.	AASHTO M43 ¹ 3, 357, 4, 467, 5, 56, 57	PLATE COMPACT OR ROLL TO ACHIEVE A FLAT SURFACE. ^{2,3}

- PLEASE NOTE:
- THE LISTED AASHTO DESIGNATIONS ARE FOR GRADATIONS ONLY. THE STONE MUST ALSO BE CLEAN, CRUSHED, ANGULAR. FOR EXAMPLE, A SPECIFICATION FOR #4 STONE WOULD STATE: "CLEAN, CRUSHED, ANGULAR NO. 4 (AASHTO M43) STONE".
 - STORMTECH COMPACTION REQUIREMENTS ARE MET FOR 'A' LOCATION MATERIALS WHEN PLACED AND COMPACTED IN 6" (MAX) LIFTS USING TWO FULL COVERAGES WITH A VIBRATORY COMPACTOR.
 - WHERE INFILTRATION SURFACES MAY BE COMPROMISED BY COMPACTION, FOR STANDARD DESIGN LOAD CONDITIONS, A FLAT SURFACE MAY BE ACHIEVED BY RAKING OR DRAGGING WITHOUT COMPACTION EQUIPMENT. FOR SPECIAL LOAD DESIGNS, CONTACT STORMTECH FOR COMPACTION REQUIREMENTS.
 - ONCE LAYER 'C' IS PLACED, ANY SOIL/MATERIAL CAN BE PLACED IN LAYER 'D' UP TO THE FINISHED GRADE. MOST PAVEMENT SUBBASE SOILS CAN BE USED TO REPLACE THE MATERIAL REQUIREMENTS OF LAYER 'C' OR 'D' AT THE SITE DESIGN ENGINEER'S DISCRETION.



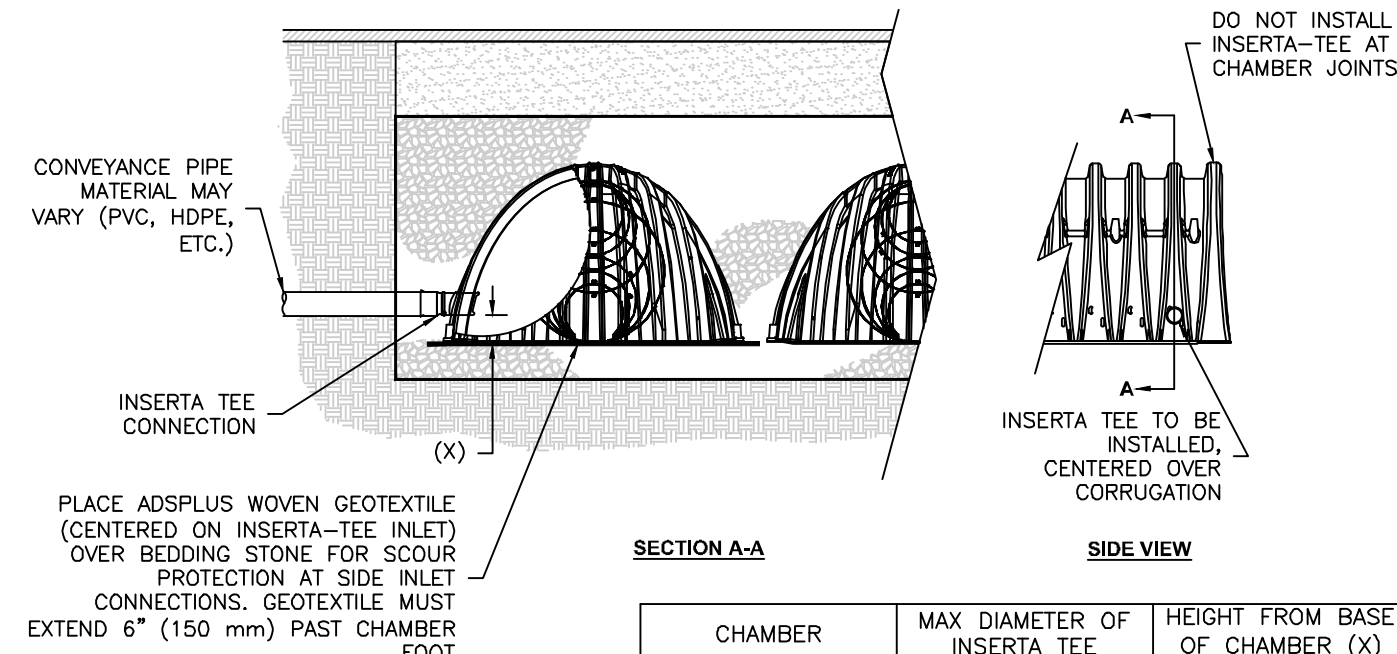
NOTES:

- CHAMBERS SHALL MEET THE REQUIREMENTS OF ASTM F2418, "STANDARD SPECIFICATION FOR POLYPROPYLENE (PP) CORRUGATED WALL STORMWATER COLLECTION CHAMBERS".
- SC-740 CHAMBERS SHALL BE DESIGNED IN ACCORDANCE WITH ASTM F2787 "STANDARD PRACTICE FOR STRUCTURAL DESIGN OF THERMOPLASTIC CORRUGATED WALL STORMWATER COLLECTION CHAMBERS".
- PERIMETER STONE MUST BE EXTENDED HORIZONTALLY TO THE EXCAVATION WALL FOR BOTH VERTICAL AND SLOPED EXCAVATION WALLS.
- REQUIREMENTS FOR HANDLING AND INSTALLATION:
 - TO MAINTAIN THE WIDTH OF CHAMBERS DURING SHIPPING AND HANDLING, CHAMBERS SHALL HAVE INTEGRAL, INTERLOCKING STACKING LUGS.
 - TO ENSURE A SECURE JOINT DURING INSTALLATION AND BACKFILL, THE HEIGHT OF THE CHAMBER JOINT SHALL NOT BE LESS THAN 2".
 - TO ENSURE THE INTEGRITY OF THE ARCH SHAPE DURING INSTALLATION, a) THE ARCH STIFFNESS CONSTANT AS DEFINED IN SECTION 6.2.8 OF ASTM F2418 SHALL BE GREATER THAN OR EQUAL TO 550 LBS/FT². AND b) TO RESIST CHAMBER DEFORMATION DURING INSTALLATION AT ELEVATED TEMPERATURES (ABOVE 73° F / 23° C), CHAMBERS SHALL BE PRODUCED FROM REFLECTIVE GOLD OR YELLOW COLORS.

SC-740 - CROSS SECTION DETAIL
NOT TO SCALE

SC-740 STORMTECH CHAMBER SPECIFICATIONS

- CHAMBERS SHALL BE STORMTECH SC-740.
- CHAMBERS SHALL BE ARCH-SHAPED AND SHALL BE MANUFACTURED FROM VIRGIN, IMPACT-MODIFIED POLYPROPYLENE COPOLYMERS.
- CHAMBERS SHALL MEET THE REQUIREMENTS OF ASTM F2418, "STANDARD SPECIFICATION FOR POLYPROPYLENE (PP) CORRUGATED WALL STORMWATER COLLECTION CHAMBERS".
- CHAMBER ROWS SHALL PROVIDE CONTINUOUS, UNOBSTRUCTED INTERNAL SPACE WITH NO INTERNAL SUPPORTS THAT WOULD IMPEDE FLOW OR LIMIT ACCESS FOR INSPECTION.
- THE STRUCTURAL DESIGN OF THE CHAMBERS, THE STRUCTURAL BACKFILL, AND THE INSTALLATION REQUIREMENTS SHALL ENSURE THAT THE LOAD FACTORS SPECIFIED IN THE AASHTO LRFD BRIDGE DESIGN SPECIFICATIONS, SECTION 12.12, ARE MET FOR: 1) LONG-DURATION DEAD LOADS AND 2) SHORT-DURATION LIVE LOADS, BASED ON THE AASHTO DESIGN TRUCK WITH CONSIDERATION FOR IMPACT AND MULTIPLE VEHICLE PRESENCES.
- CHAMBERS SHALL BE DESIGNED, TESTED AND ALLOWABLE LOAD CONFIGURATIONS DETERMINED IN ACCORDANCE WITH ASTM F2787, "STANDARD PRACTICE FOR STRUCTURAL DESIGN OF THERMOPLASTIC CORRUGATED WALL STORMWATER COLLECTION CHAMBERS". LOAD CONFIGURATIONS SHALL INCLUDE: 1) INSTANTANEOUS (<1 MIN) AASHTO DESIGN TRUCK LIVE LOAD ON MINIMUM COVER 2) MAXIMUM PERMANENT (75-YR) COVER LOAD AND 3) ALLOWABLE COVER WITH PARKED (1-WEEK) AASHTO DESIGN TRUCK.
- REQUIREMENTS FOR HANDLING AND INSTALLATION:
 - TO MAINTAIN THE WIDTH OF CHAMBERS DURING SHIPPING AND HANDLING, CHAMBERS SHALL HAVE INTEGRAL, INTERLOCKING STACKING LUGS.
 - TO ENSURE A SECURE JOINT DURING INSTALLATION AND BACKFILL, THE HEIGHT OF THE CHAMBER JOINT SHALL NOT BE LESS THAN 2".
 - TO ENSURE THE INTEGRITY OF THE ARCH SHAPE DURING INSTALLATION, a) THE ARCH STIFFNESS CONSTANT SHALL BE GREATER THAN OR EQUAL TO 550 LBS/FT². THE ASC IS DEFINED IN SECTION 6.2.8 OF ASTM F2418. AND b) TO RESIST CHAMBER DEFORMATION DURING INSTALLATION AT ELEVATED TEMPERATURES (ABOVE 73° F / 23° C), CHAMBERS SHALL BE PRODUCED FROM REFLECTIVE GOLD OR YELLOW COLORS.
- ONLY CHAMBERS THAT ARE APPROVED BY THE SITE DESIGN ENGINEER WILL BE ALLOWED. UPON REQUEST BY THE SITE DESIGN ENGINEER OR OWNER, THE CHAMBER MANUFACTURER SHALL SUBMIT A STRUCTURAL EVALUATION FOR APPROVAL BEFORE DELIVERING CHAMBERS TO THE PROJECT SITE AS FOLLOWS:
 - THE STRUCTURAL EVALUATION SHALL BE SEALED BY A REGISTERED PROFESSIONAL ENGINEER.
 - THE STRUCTURAL EVALUATION SHALL DEMONSTRATE THAT THE SAFETY FACTORS ARE GREATER THAN OR EQUAL TO 1.95 FOR DEAD LOAD AND 1.75 FOR LIVE LOAD, THE MINIMUM REQUIRED BY ASTM F2787 AND BY SECTIONS 3 AND 12.12 OF THE AASHTO LRFD BRIDGE DESIGN SPECIFICATIONS FOR THERMOPLASTIC PIPE.
 - THE TEST DERIVED CREEP MODULUS AS SPECIFIED IN ASTM F2418 SHALL BE USED FOR PERMANENT DEAD LOAD DESIGN EXCEPT THAT IT SHALL BE THE 75-YEAR MODULUS USED FOR DESIGN.
- CHAMBERS AND END CAPS SHALL BE PRODUCED AT AN ISO 9001 CERTIFIED MANUFACTURING FACILITY.

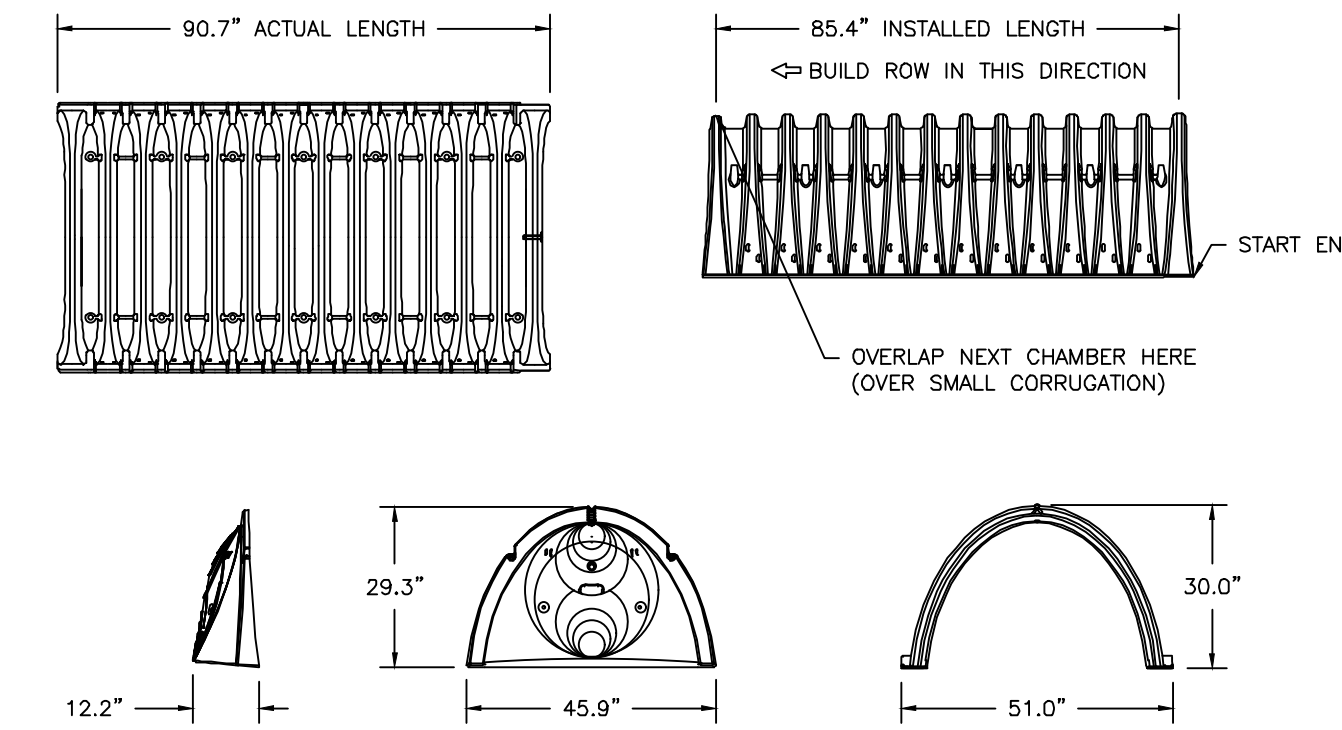


INSERTA-TEE SIDE INLET DETAIL
NOT TO SCALE

CHAMBER	MAX DIAMETER OF INSERTA TEE	HEIGHT FROM BASE OF CHAMBER (X)
SC-740	10"	4"

- NOTES:
- PART NUMBERS WILL VARY BASED ON INLET PIPE MATERIALS. CONTACT STORMTECH FOR MORE INFORMATION.
 - CONTACT ADS ENGINEERING SERVICES IF INSERTA TEE INLET MUST BE RAISED AS NOT ALL INVERTS ARE POSSIBLE.

STORMTECH SC-740 CHAMBER SYSTEM
NOT TO SCALE



NOMINAL CHAMBER SPECIFICATIONS
 SIZE (W X H X INSTALLED LENGTH) 51.0" X 30.0" X 85.4"
 CHAMBER STORAGE 45.9 CUBIC FEET
 MINIMUM INSTALLED STORAGE* 74.9 CUBIC FEET
 WEIGHT 75.0 lbs.
 *ASSUMES 6" STONE ABOVE, BELOW, AND BETWEEN CHAMBERS

PRE-FAB STUB AT BOTTOM OF END CAP WITH FLAMP END WITH "9R"
 PRE-FAB STUBS AT BOTTOM OF END CAP FOR PART NUMBERS ENDING WITH "9"
 PRE-FAB STUBS AT TOP OF END CAP FOR PART NUMBERS ENDING WITH "T"
 PRE-CORDED END CAPS END WITH "PC"

PART #	STUB	A	B	C
SC740EPE06T / SC740EPE06TPC	6"	10.9"	18.5"	---
SC740EPE06B / SC740EPE06BPC	6"	10.9"	---	0.5"
SC740EPE08T / SC740EPE08TPC	8"	12.2"	16.5"	---
SC740EPE08B / SC740EPE08BPC	8"	12.2"	---	0.6"
SC740EPE10T / SC740EPE10TPC	10"	13.4"	14.5"	---
SC740EPE10B / SC740EPE10BPC	10"	13.4"	---	0.7"
SC740EPE12T / SC740EPE12TPC	12"	14.7"	12.5"	---
SC740EPE12B / SC740EPE12BPC	12"	14.7"	---	1.2"
SC740EPE15T / SC740EPE15TPC	15"	18.4"	9.0"	---
SC740EPE15B / SC740EPE15BPC	15"	18.4"	---	1.3"
SC740EPE18T / SC740EPE18TPC	18"	19.7"	5.0"	---
SC740EPE18B / SC740EPE18BPC	18"	19.7"	---	1.6"
SC740EPE24B*	24"	18.5"	---	0.1"
SC740EPE24BR*	24"	18.5"	---	0.1"

ALL STUBS, EXCEPT FOR THE SC740EPE24B/SC740EPE24BR ARE PLACED AT BOTTOM OF END CAP SUCH THAT THE OUTSIDE DIAMETER OF THE STUB IS FLUSH WITH THE BOTTOM OF THE END CAP. FOR ADDITIONAL INFORMATION CONTACT STORMTECH AT 1-888-892-2694.

* FOR THE SC740EPE24B/SC740EPE24BR THE 24" STUB LIES BELOW THE BOTTOM OF THE END CAP APPROXIMATELY 1.75" (44 mm). BACKFILL MATERIAL SHOULD BE REMOVED FROM BELOW THE N-12 STUB SO THAT THE FITTING SITS LEVEL.

NOTE: ALL DIMENSIONS ARE NOMINAL

SC-740 - TECHNICAL SPECIFICATIONS
NOT TO SCALE

INSPECTION & MAINTENANCE

- STEP 1) INSPECT ISOLATOR ROW PLUS FOR SEDIMENT
- INSPECTION PORTS (IF PRESENT)
 - REMOVE/OPEN LID ON NYLOPLAST INLINE DRAIN
 - REMOVE AND CLEAN FLEXSTORM FILTER IF INSTALLED
 - USING A FLASHLIGHT AND STADIA ROD, MEASURE DEPTH OF SEDIMENT AND RECORD ON MAINTENANCE LOG
 - LOWER A CAMERA INTO ISOLATOR ROW PLUS FOR VISUAL INSPECTION OF SEDIMENT LEVELS (OPTIONAL)
 - IF SEDIMENT IS AT, OR ABOVE, 3" (80 mm) PROCEED TO STEP 2. IF NOT, PROCEED TO STEP 3.
 - ALL ISOLATOR PLUS ROWS
 - REMOVE COVER FROM STRUCTURE AT UPSTREAM END OF ISOLATOR ROW PLUS
 - USING A FLASHLIGHT, INSPECT DOWN THE ISOLATOR ROW PLUS THROUGH OUTLET PIPE
 - MIRRORS ON POLES OR CAMERAS MAY BE USED TO AVOID A CONFINED SPACE ENTRY
 - FOLLOW OSHA REGULATIONS FOR CONFINED SPACE ENTRY IF ENTERING MANHOLE
 - IF SEDIMENT IS AT, OR ABOVE, 3" PROCEED TO STEP 2. IF NOT, PROCEED TO STEP 3.
- STEP 2) CLEAN OUT ISOLATOR ROW PLUS USING THE JETVAC PROCESS
- A FIXED CULVERT CLEANING NOZZLE WITH REAR FACING SPREAD OF 45° OR MORE IS PREFERRED
 - APPLY MULTIPLE PASSES OF JETVAC UNTIL BACKFLUSH WATER IS CLEAN
 - VACUUM STRUCTURE SUMP AS REQUIRED
- STEP 3) REPLACE ALL COVERS, GRATES, FILTERS, AND LIDS; RECORD OBSERVATIONS AND ACTIONS.
- STEP 4) INSPECT AND CLEAN BASINS AND MANHOLES UPSTREAM OF THE STORMTECH SYSTEM.

NOTES

- INSPECT EVERY 6 MONTHS DURING THE FIRST YEAR OF OPERATION. ADJUST THE INSPECTION INTERVAL BASED ON PREVIOUS OBSERVATIONS OF SEDIMENT ACCUMULATION AND HIGH WATER ELEVATIONS.
- CONDUCT JETTING AND VACTORING ANNUALLY OR WHEN INSPECTION SHOWS THAT MAINTENANCE IS NECESSARY.



PROFESSIONAL ENGINEER FOR
ALLEN & MAJOR ASSOCIATES, INC.

REV	DATE	DESCRIPTION

APPLICANT/OWNER:

DONEGAL, LLC
PO BOX 4430
MANCHESTER, NH 03108

PROJECT:
PROPOSED INDUSTRIAL BUILDING
6 FORGE PARKWAY
FRANKLIN, MA
PARCEL ID: 272-005-000-000

PROJECT NO. 1362-25 DATE: 02-05-24

SCALE: AS SHOWN DWG.: C-1362-25_Details

DESIGNED BY: SM CHECKED BY: MAM

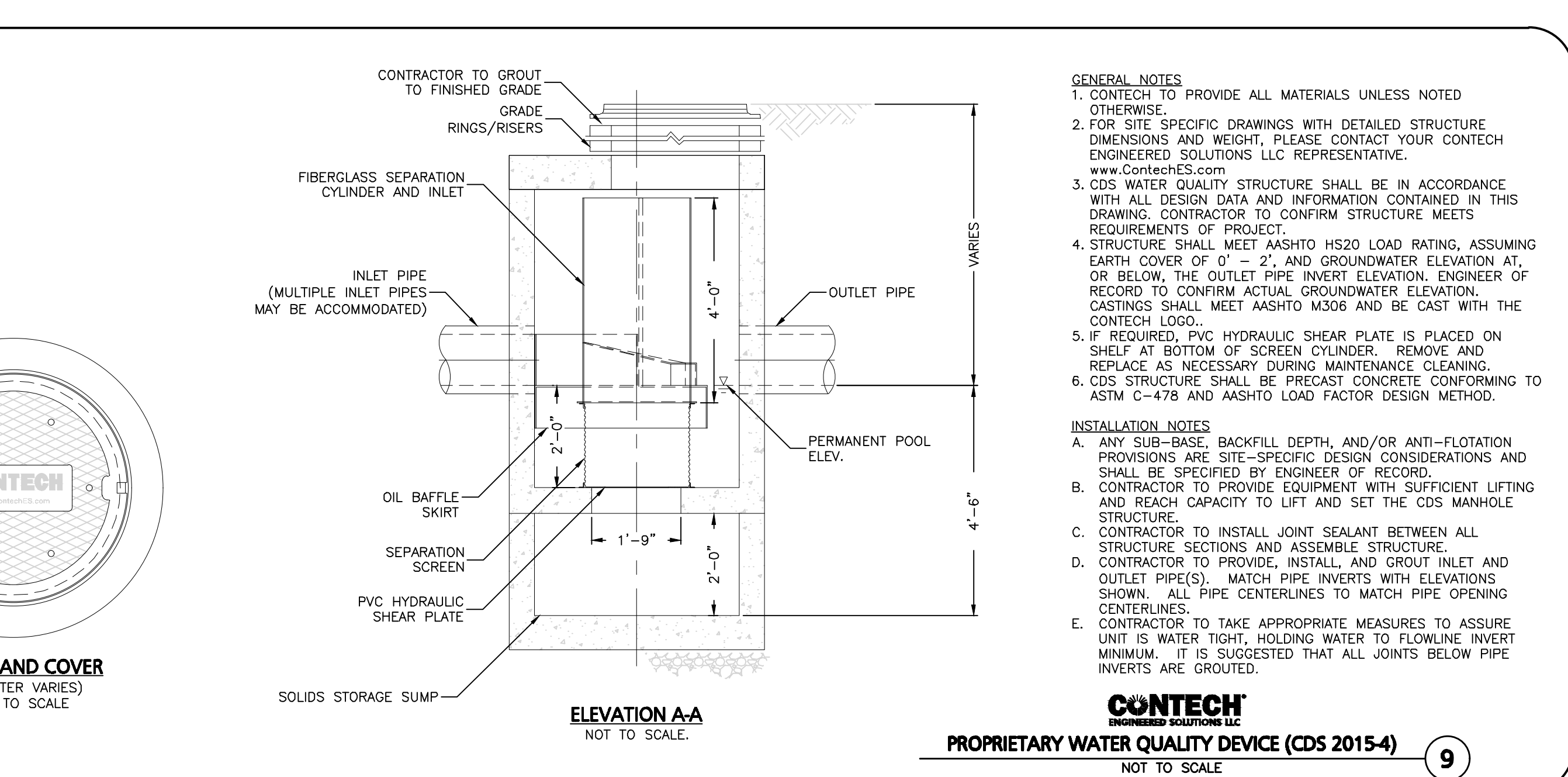
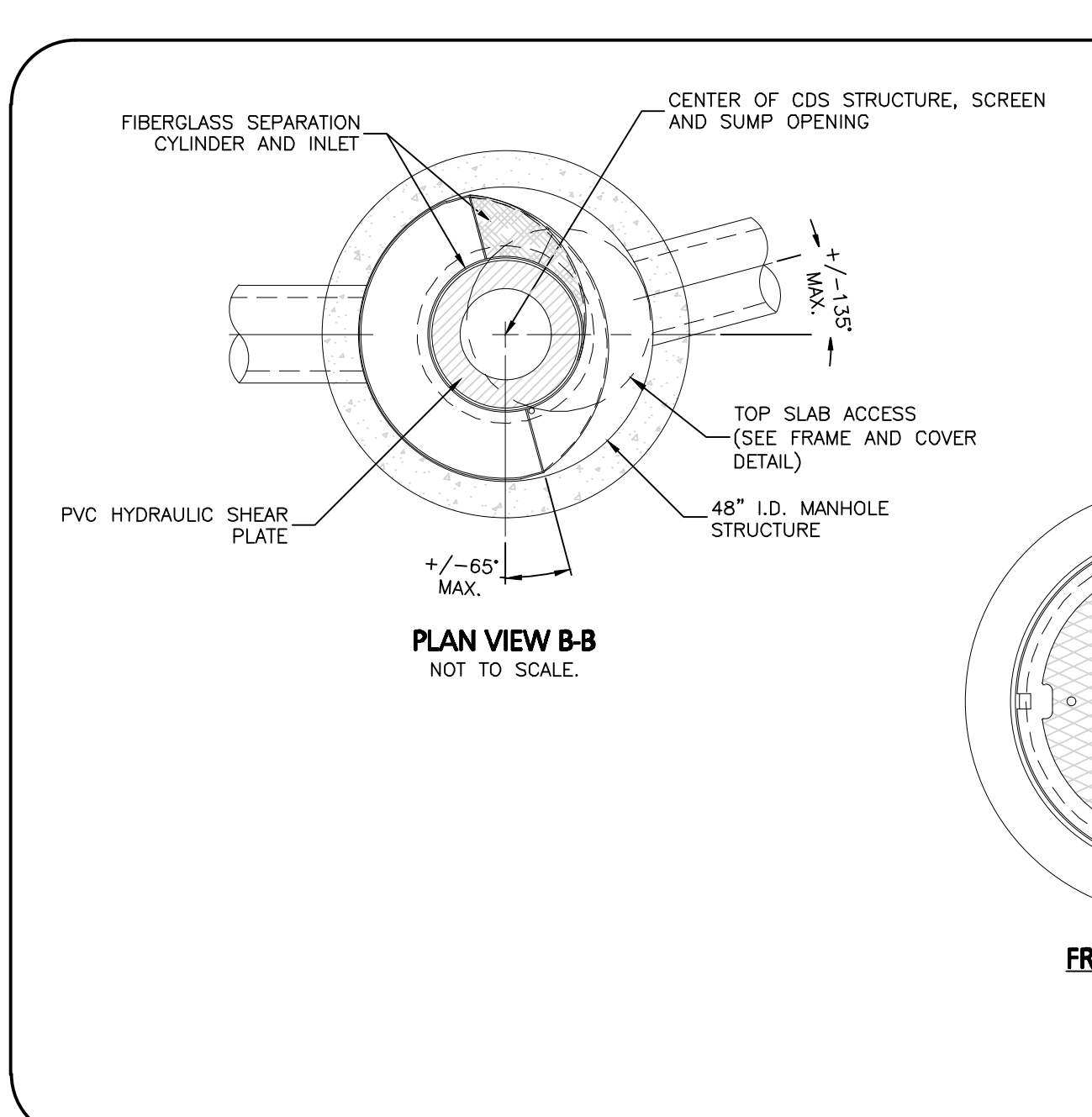
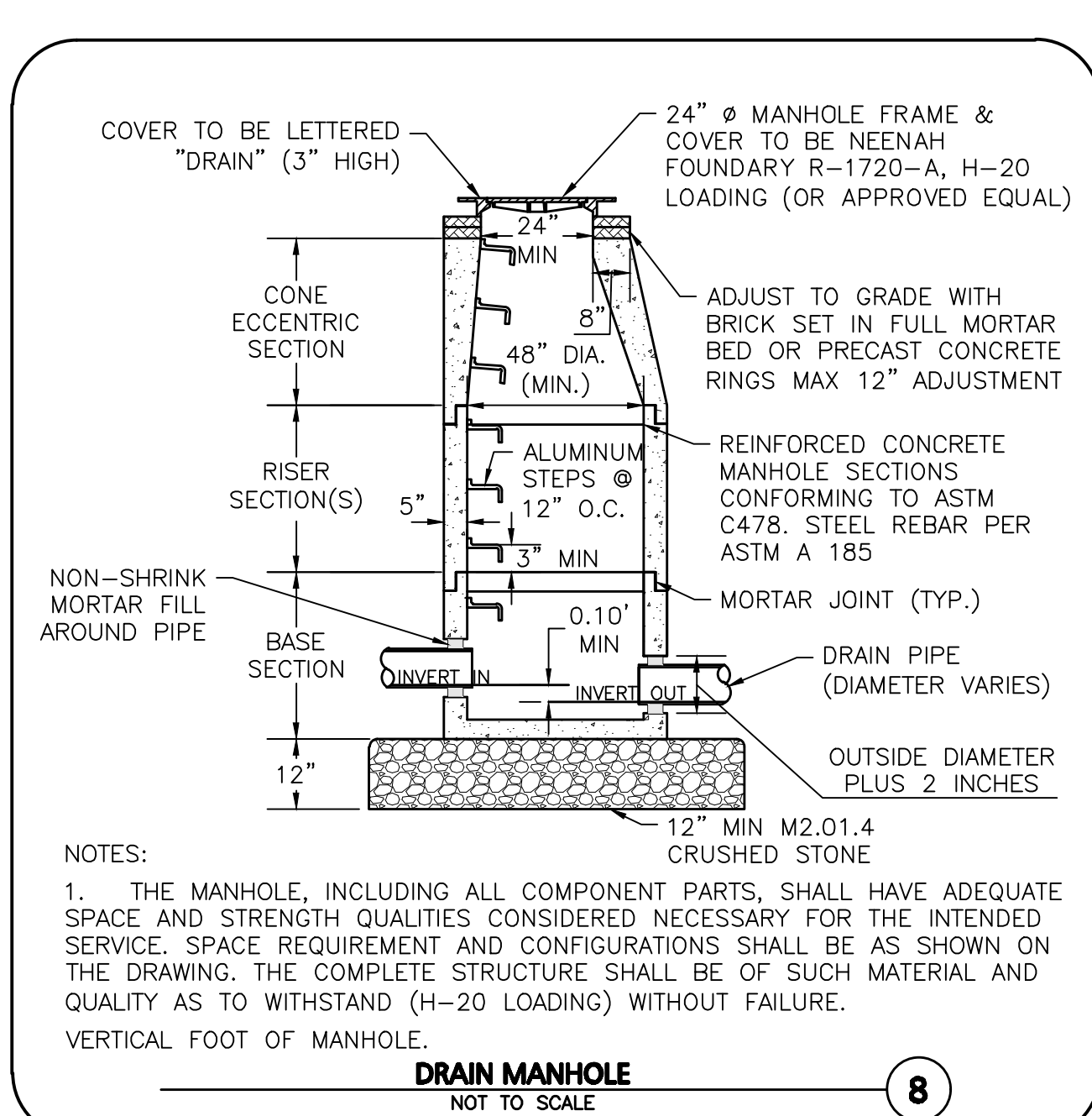
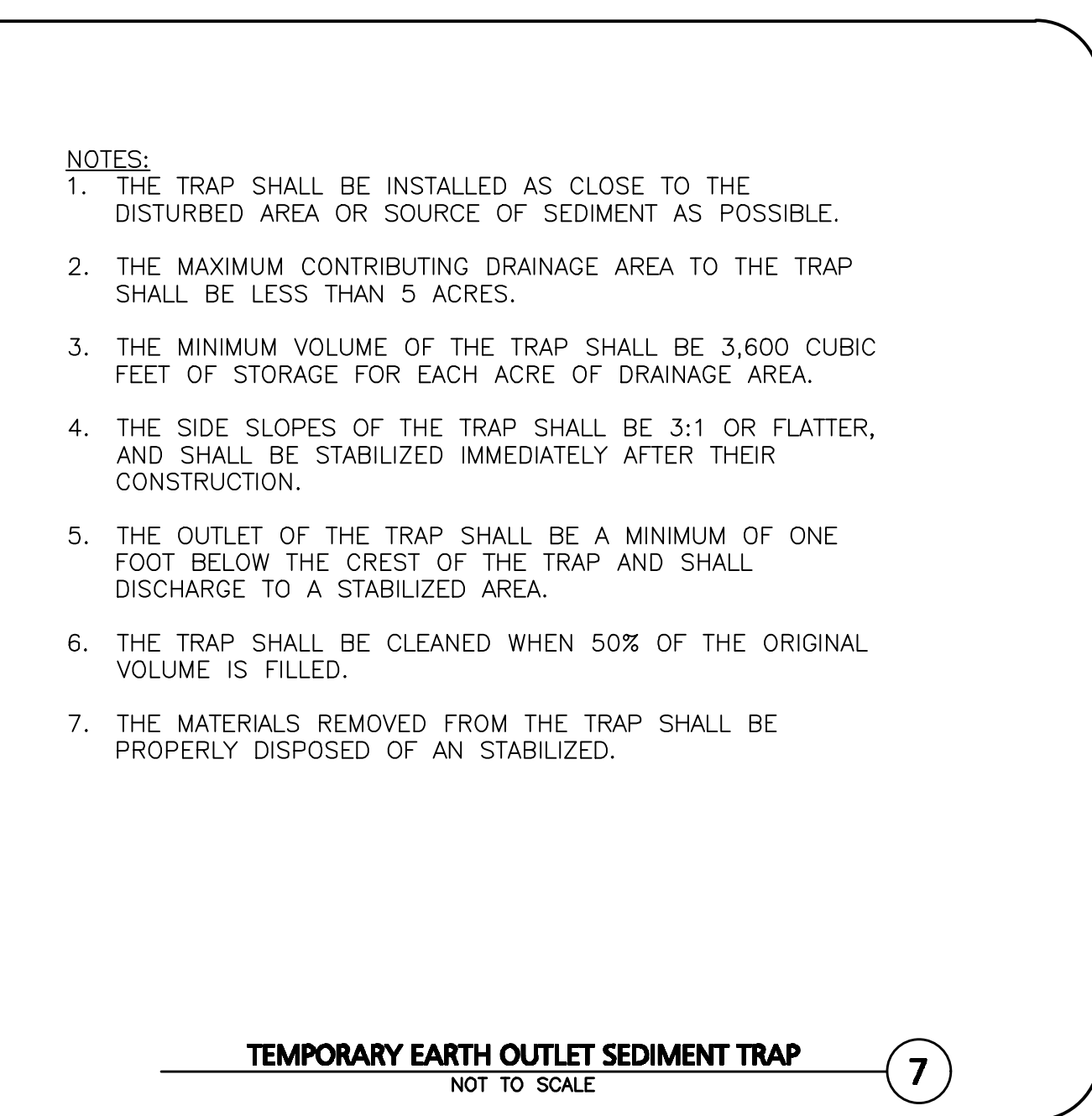
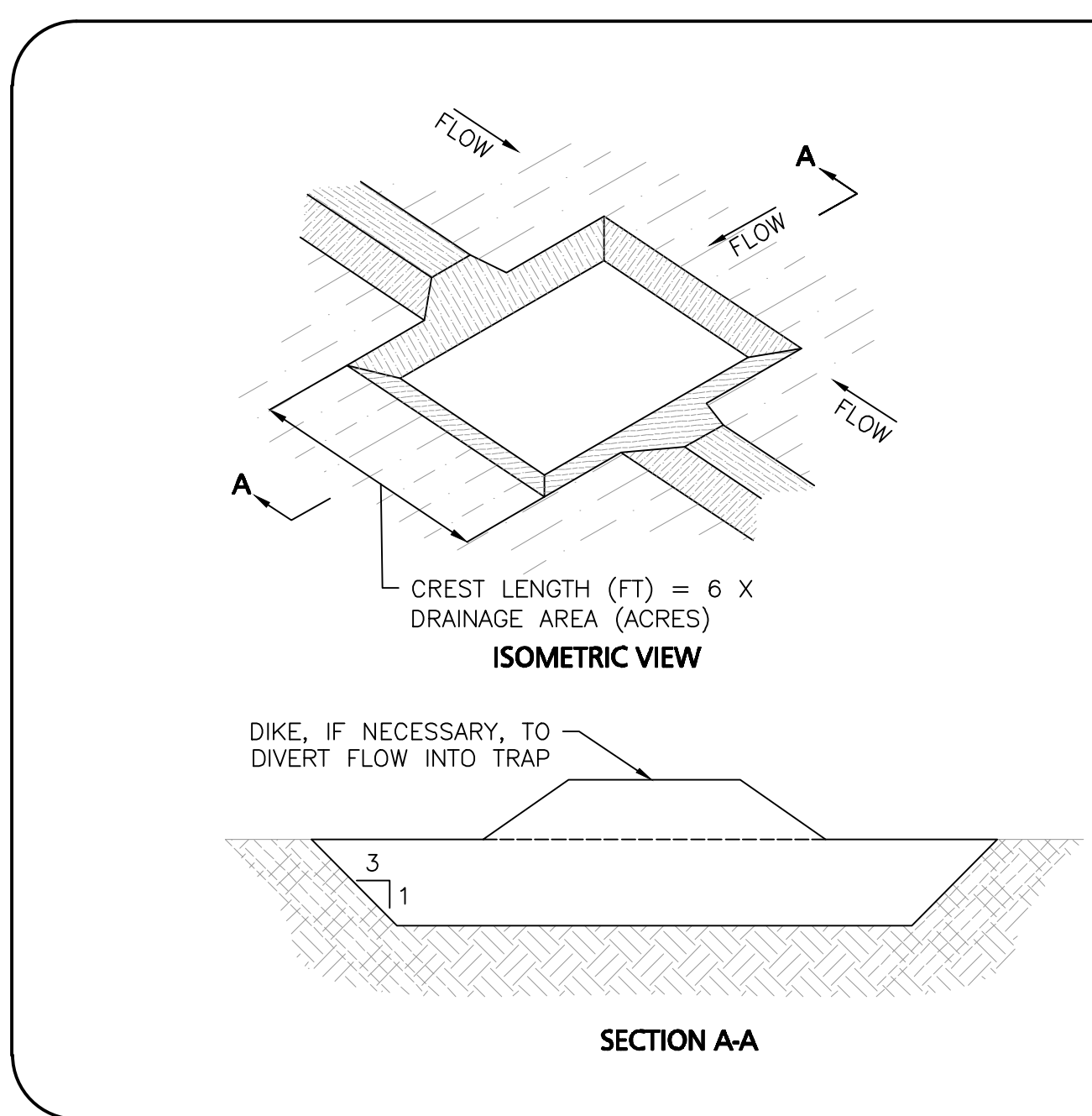
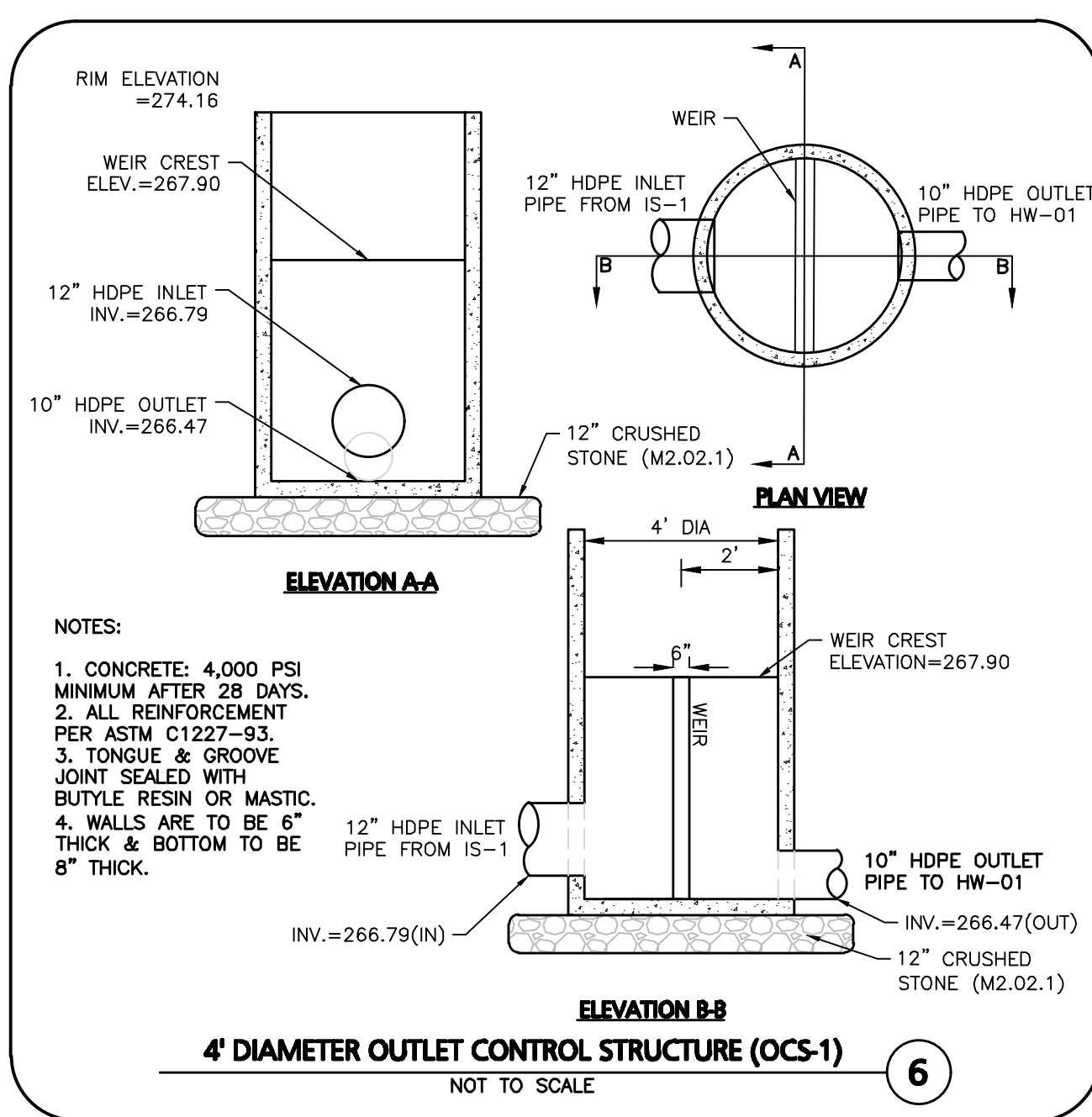
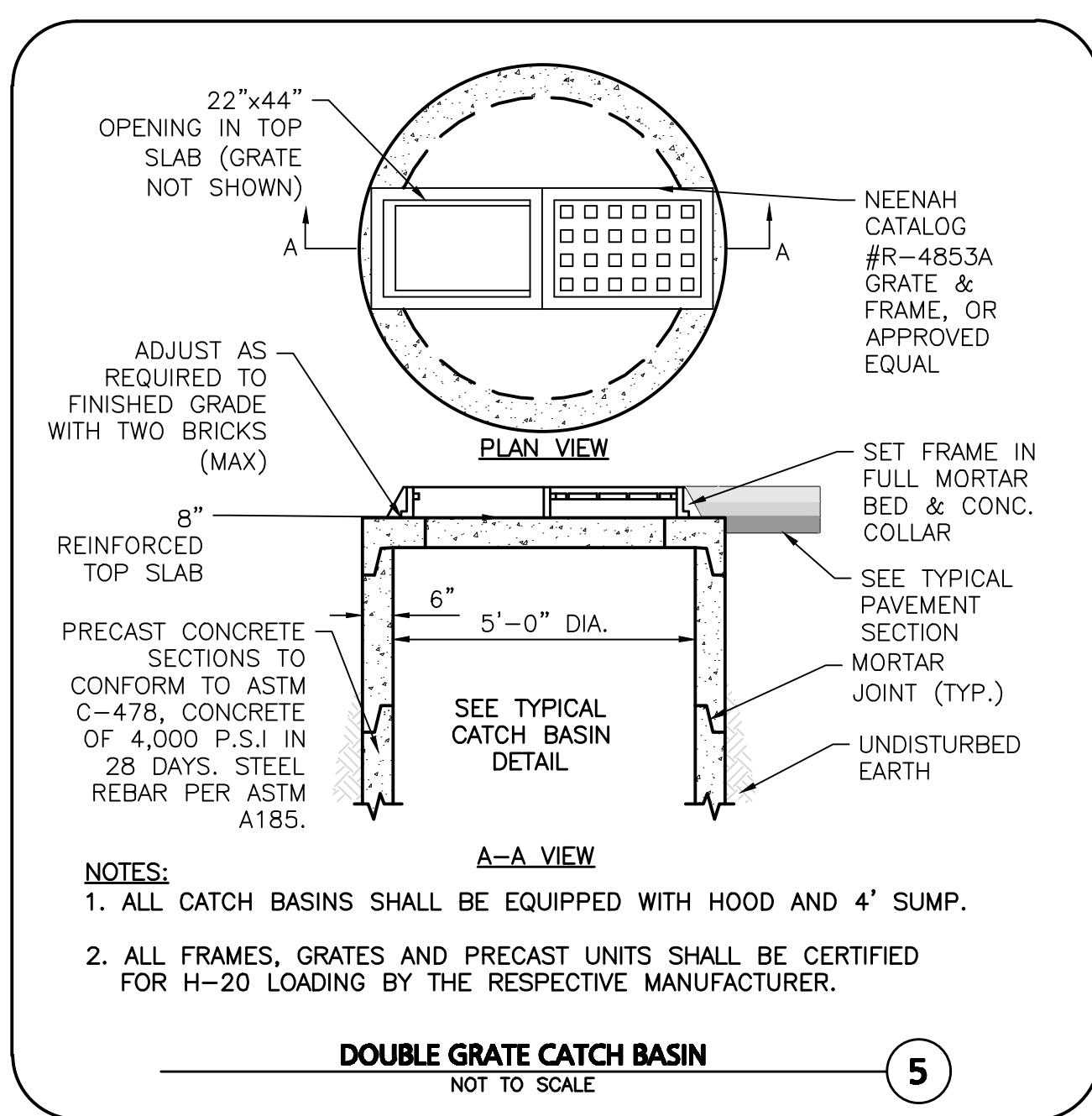
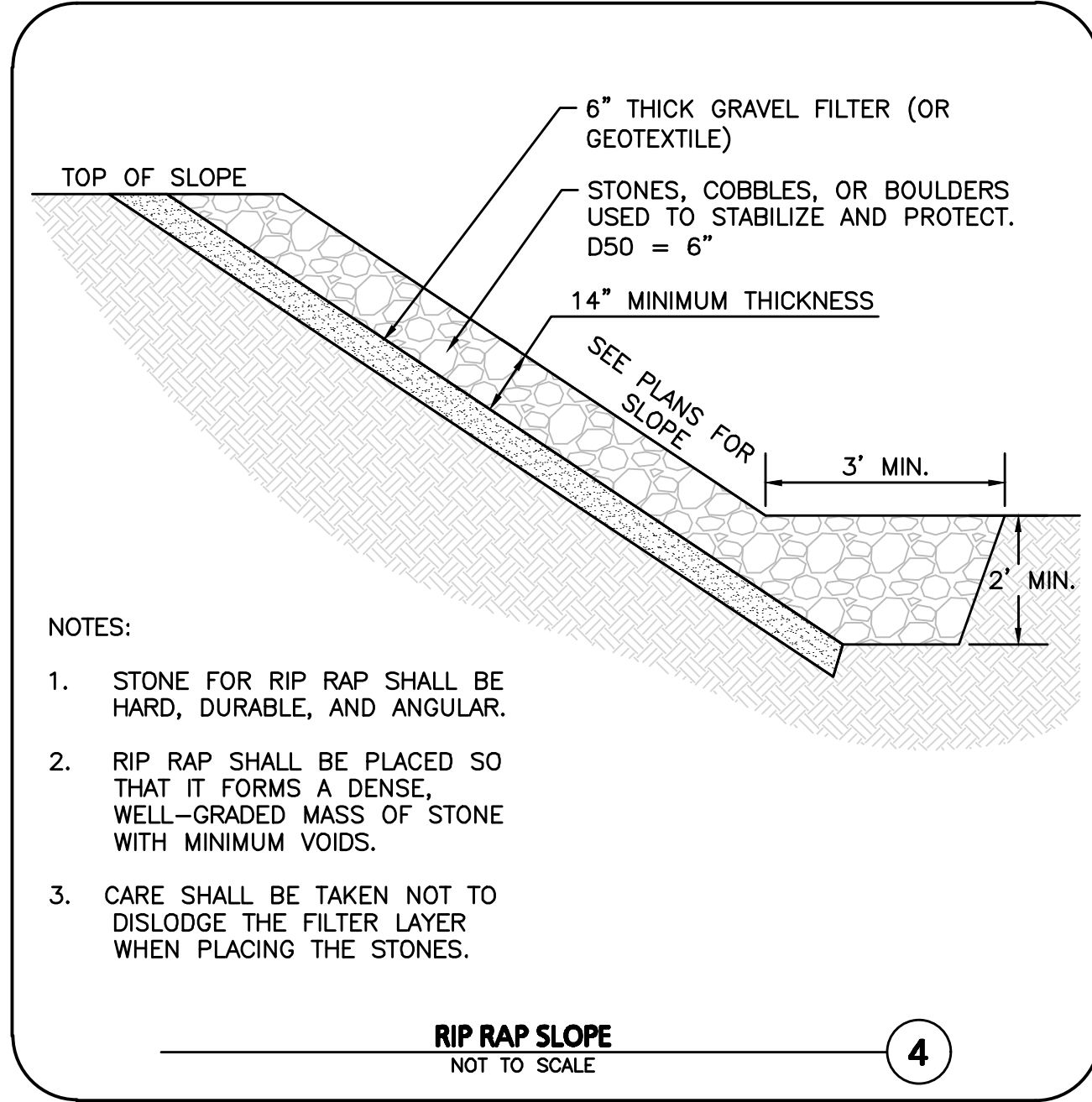
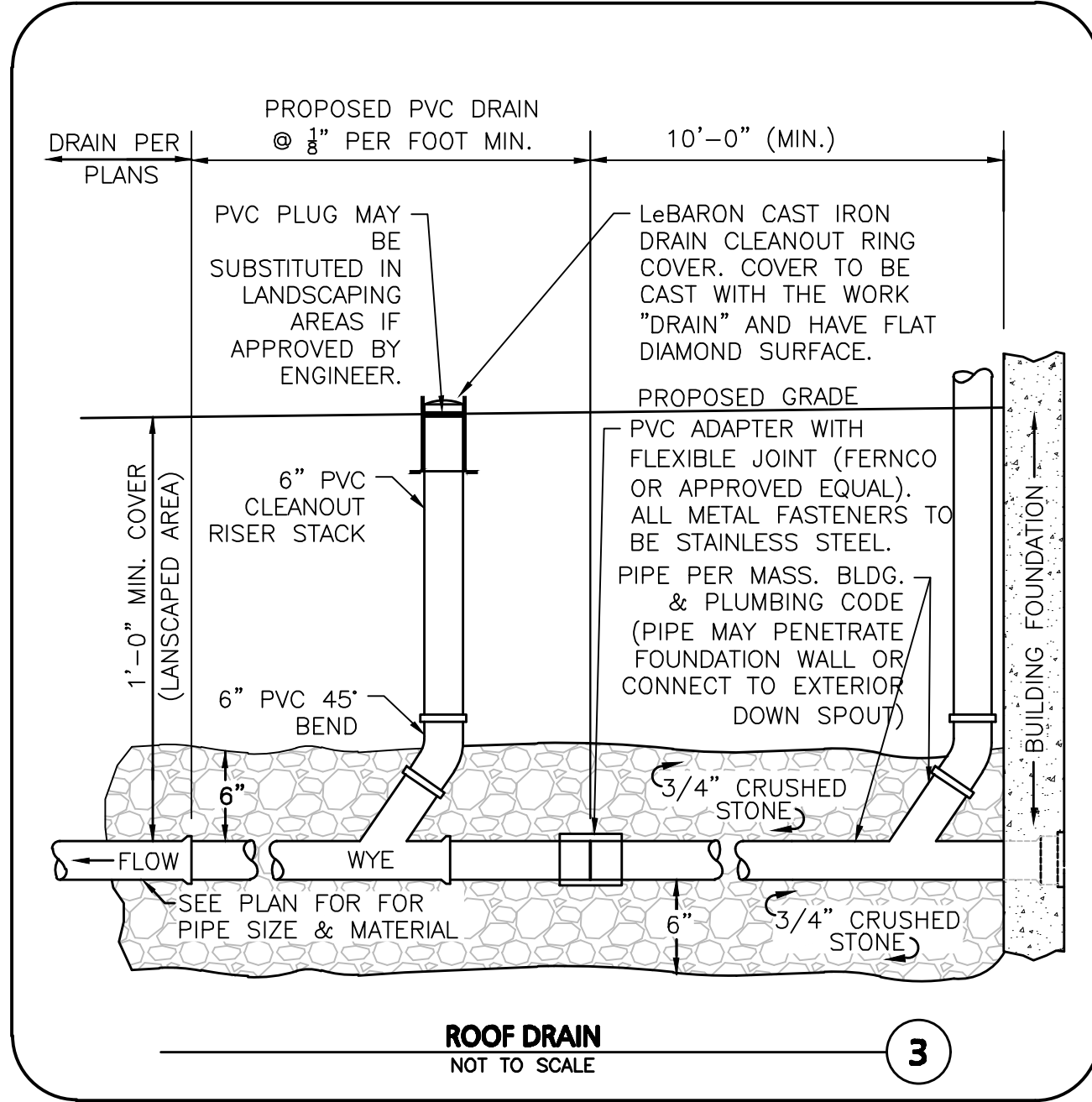
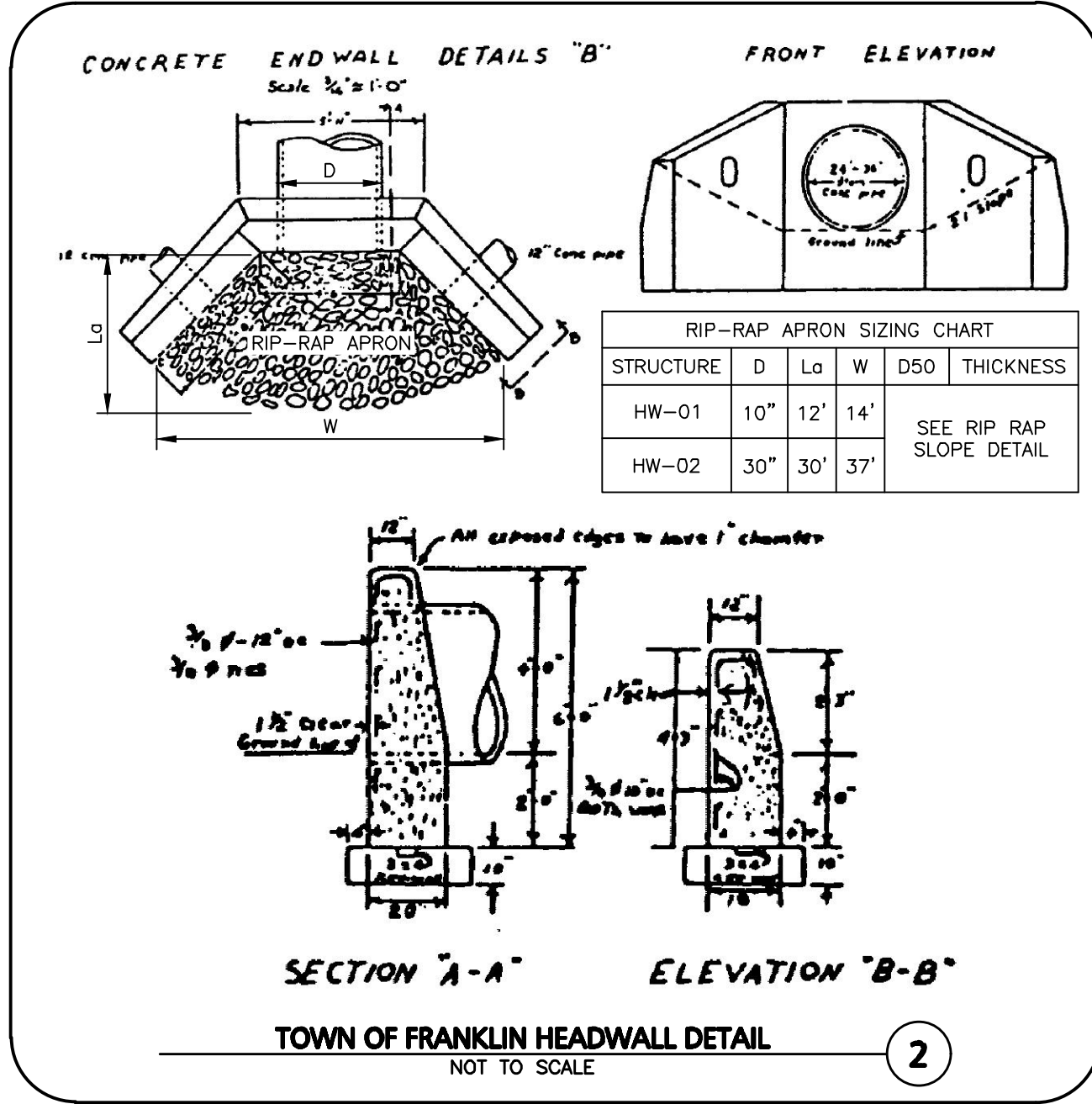
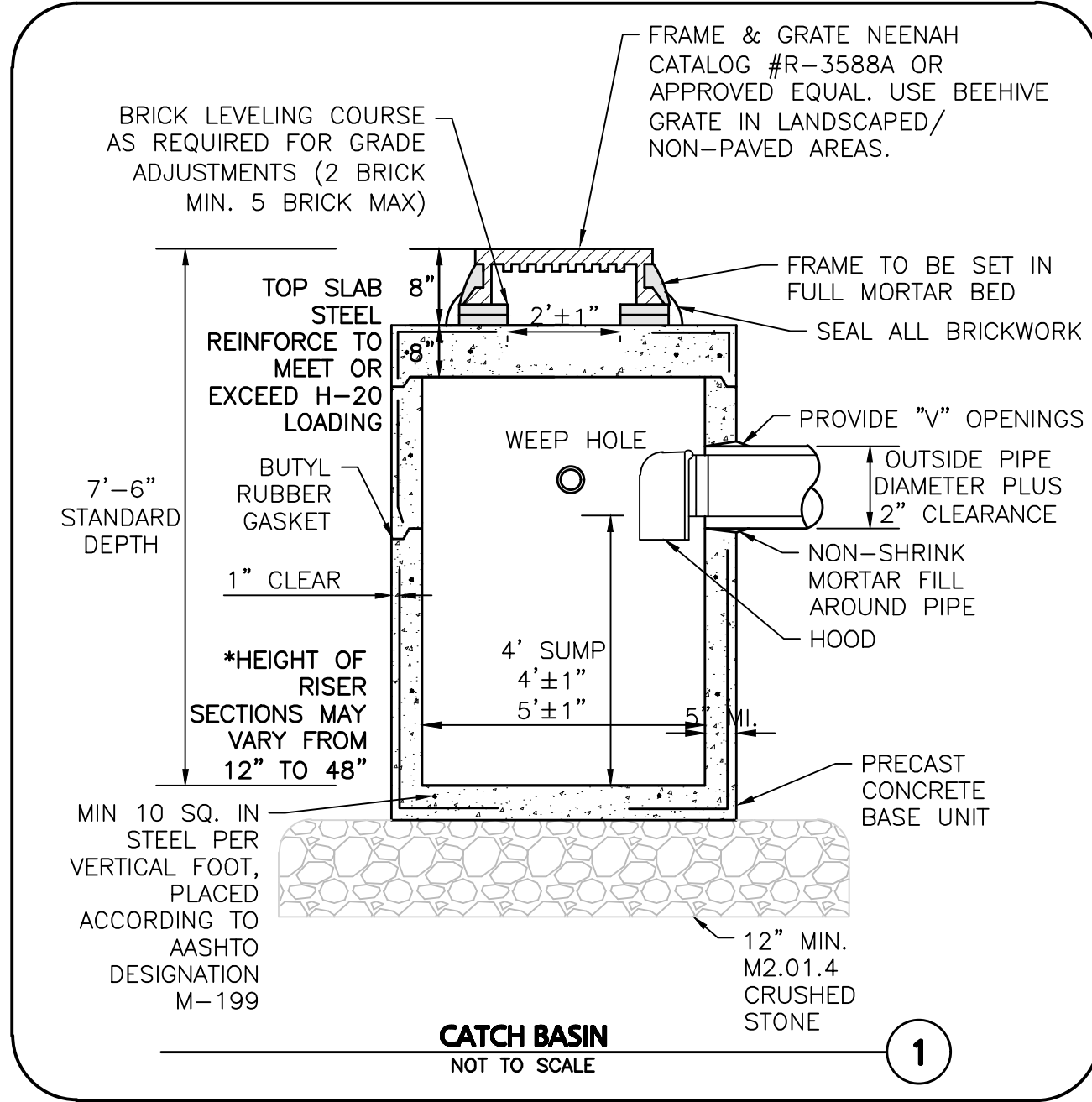
PREPARED BY:

ALLEN & MAJOR ASSOCIATES, INC.
 civil engineering • land surveying
 environmental consulting • landscape architecture
 www.allenmajor.com
 100 COMMERCE WAY, SUITE 5
 WOBURN MA 01801
 TEL: (781) 935-6889
 FAX: (781) 935-2896

WOBURN, MA • LAKEVILLE, MA • MANCHESTER, NH

THIS DRAWING HAS BEEN PREPARED IN ELECTRONIC FORMAT. CLIENTS' REPRESENTATIVE OR CONSULTANT MAY BE PROVIDED COPIES OF DRAWINGS AND SPECIFICATIONS ON MAGNETIC MEDIA FOR HIS/HER INFORMATION AND USE FOR SPECIFIC APPLICATION TO THIS PROJECT. DUE TO THE POTENTIAL THAT THE MAGNETIC INFORMATION MAY BE MODIFIED UNINTENTIONALLY OR OTHERWISE, ALLEN & MAJOR ASSOCIATES, INC. MAY REMOVE ALL INDICATION OF THE DOCUMENT'S AUTHORSHIP ON THE MAGNETIC MEDIA. PRINTED REPRESENTATIONS OF THE DRAWINGS AND SPECIFICATIONS ISSUED SHALL BE THE ONLY RECORD COPIES OF ALLEN & MAJOR ASSOCIATES, INC.'S WORK PRODUCT.

DRAWING TITLE: SHEET No.
DETAILS C-505



REV	DATE	DESCRIPTION

APPLICANT/OWNER:
DONEGAL, LLC
PO BOX 4430
MANCHESTER, NH 03108

PROJECT:
PROPOSED INDUSTRIAL BUILDING
6 FORGE PARKWAY
FRANKLIN, MA
PARCEL ID: 272-005-000-000

PROJECT NO. 1362-25 DATE: 02-05-24
SCALE: AS SHOWN DWG.: C-1362-25_Details

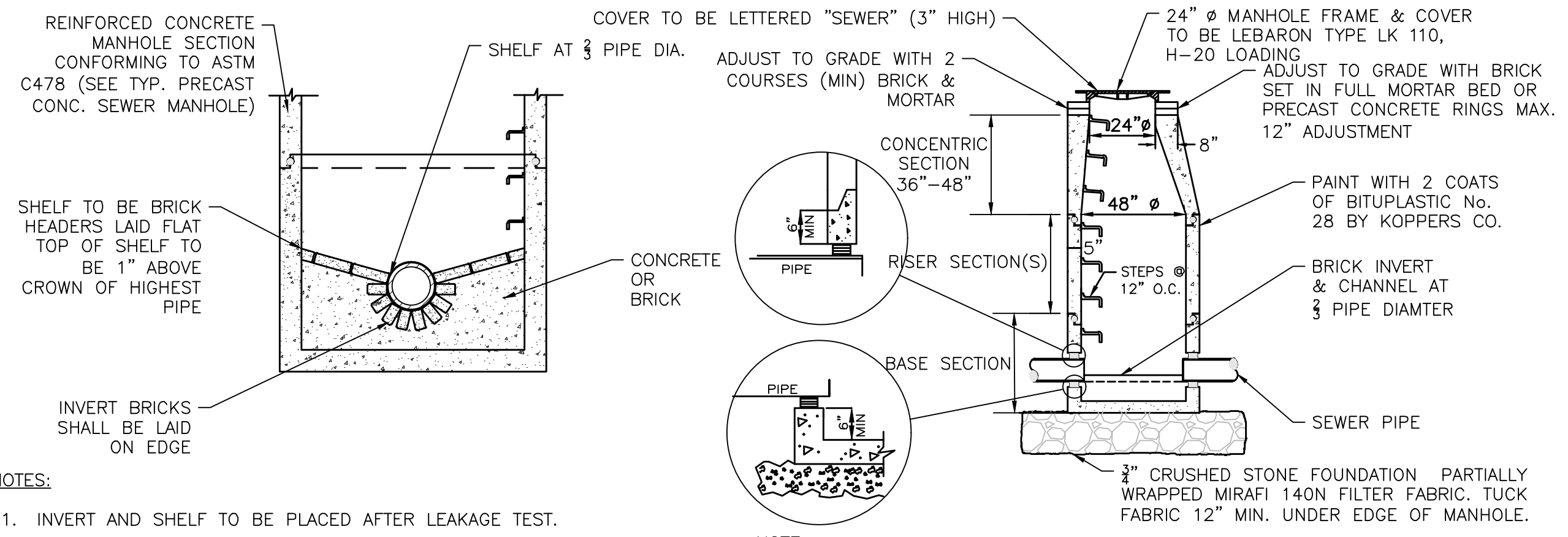
DESIGNED BY: SM CHECKED BY: MAM
PREPARED BY:



THIS DRAWING HAS BEEN PREPARED IN ELECTRONIC FORMAT. CLIENTS/CLIENTS REPRESENTATIVE OR CONSULTANT MAY BE PROVIDED COPIES OF DRAWINGS AND SPECIFICATIONS ON MAGNETIC MEDIA FOR HIS/HER INFORMATION AND USE FOR SPECIFIC APPLICATION TO THIS PROJECT. DUE TO THE POTENTIAL THAT THE MAGNETIC INFORMATION MAY BE MODIFIED UNINTENTIONALLY OR OTHERWISE, ALLEN & MAJOR ASSOCIATES, INC. MAY REMOVE ALL INDICATION OF THE DOCUMENTS AUTHORSHIP ON THE MAGNETIC MEDIA. PRINTED REPRESENTATIONS OF THE DRAWINGS AND SPECIFICATIONS ISSUED SHALL BE THE ONLY RECORD COPIES OF ALLEN & MAJOR ASSOCIATES, INC.'S WORK PRODUCT.

DRAWING TITLE: DETAILS SHEET No. C-506
20 OF 24

A:\PROJECTS\1362-25\CIVIL DRAWINGS\CURRENT\0-1362-25-DETAILS.DWG

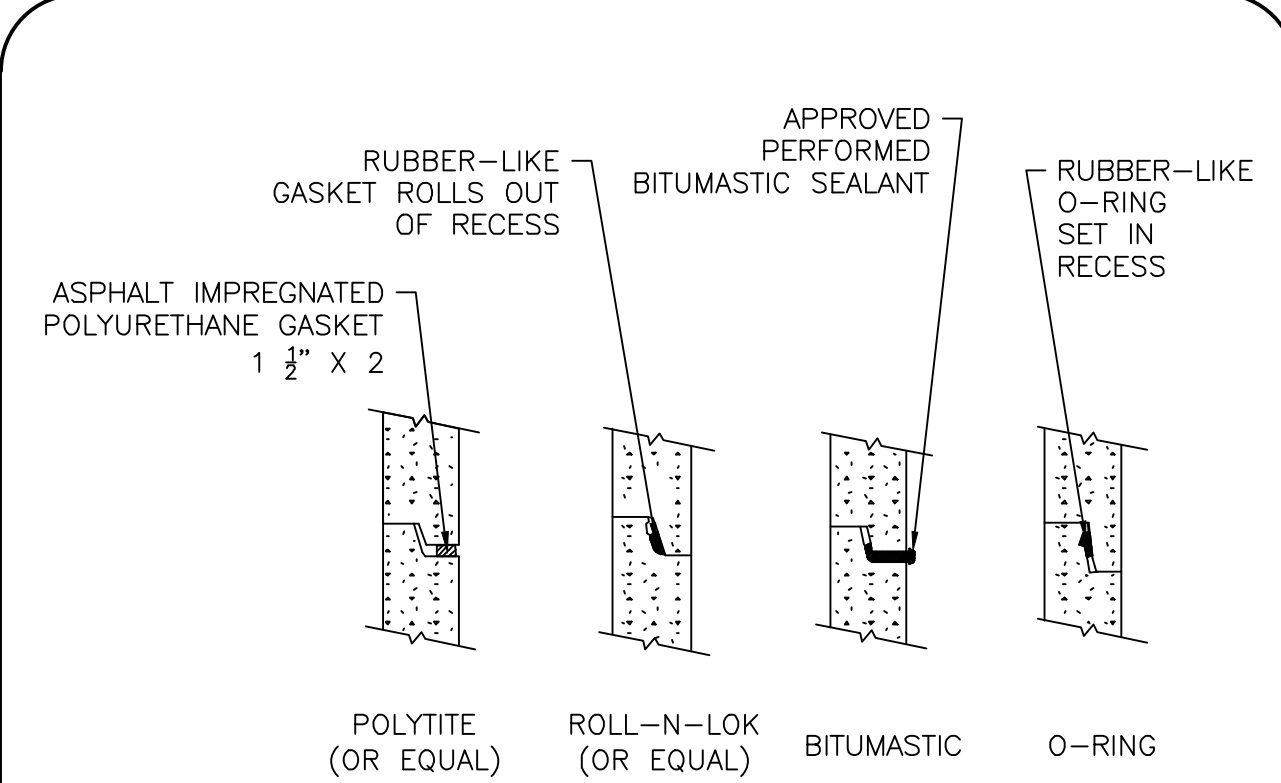


- NOTES:**
1. INVERT AND SHELF TO BE PLACED AFTER LEAKAGE TEST.
 2. MANHOLES SHALL HAVE A BRICK PAVED SHELF AND INVERT, CONSTRUCTED TO CONFORM TO THE SIZE OF PIPE AND FLOW. AT CHANGES IN DIRECTION, THE INVERTS SHALL BE LAID OUT IN CURVES OF THE LONGEST RADIUS POSSIBLE TANGENT TO THE CENTER LINE OF THE HIGHEST PIPE CROWN AND SLOPE TO DRAIN TOWARD THE FLOWING THROUGH CHANNEL. UNDERLAYMENT OF INVERT AND SHELF SHALL CONSIST OF CEMENT CONCRETE OR BRICK IN MORTAR.

NOTE:
THE MANHOLE, INCLUDING ALL COMPONENT PARTS, SHALL HAVE ADEQUATE SPACE, STRENGTH AND LEAK PROOF QUALITIES CONSIDERED NECESSARY FOR THE INTENDED SERVICE SPACE REQUIREMENT AND CONFIGURATIONS SHALL BE AS SHOWN ON THE DRAWING. MANHOLES MAY BE AN ASSEMBLY OR PRECAST SECTIONS, WITH OR WITHOUT STEEL REINFORCEMENT, WITH ADEQUATE JOINTING OR CONCRETE CAST MONOLITHICALLY IN PLACE WITH OR WITHOUT REINFORCEMENT. IN ANY APPROVED MANHOLE, THE COMPLETE STRUCTURE SHALL BE OF SUCH MATERIAL AND QUALITY AS TO WITHSTAND LOADS OF 8 TONS (H-20 LOADING) WITHOUT FAILURE AND PREVENT LEAKAGE IN EXCESS OF ONE GALLON PER DAY PER VERTICAL FOOT OF MANHOLE.

PRECAST CONCRETE SEWER MANHOLE
NOT TO SCALE

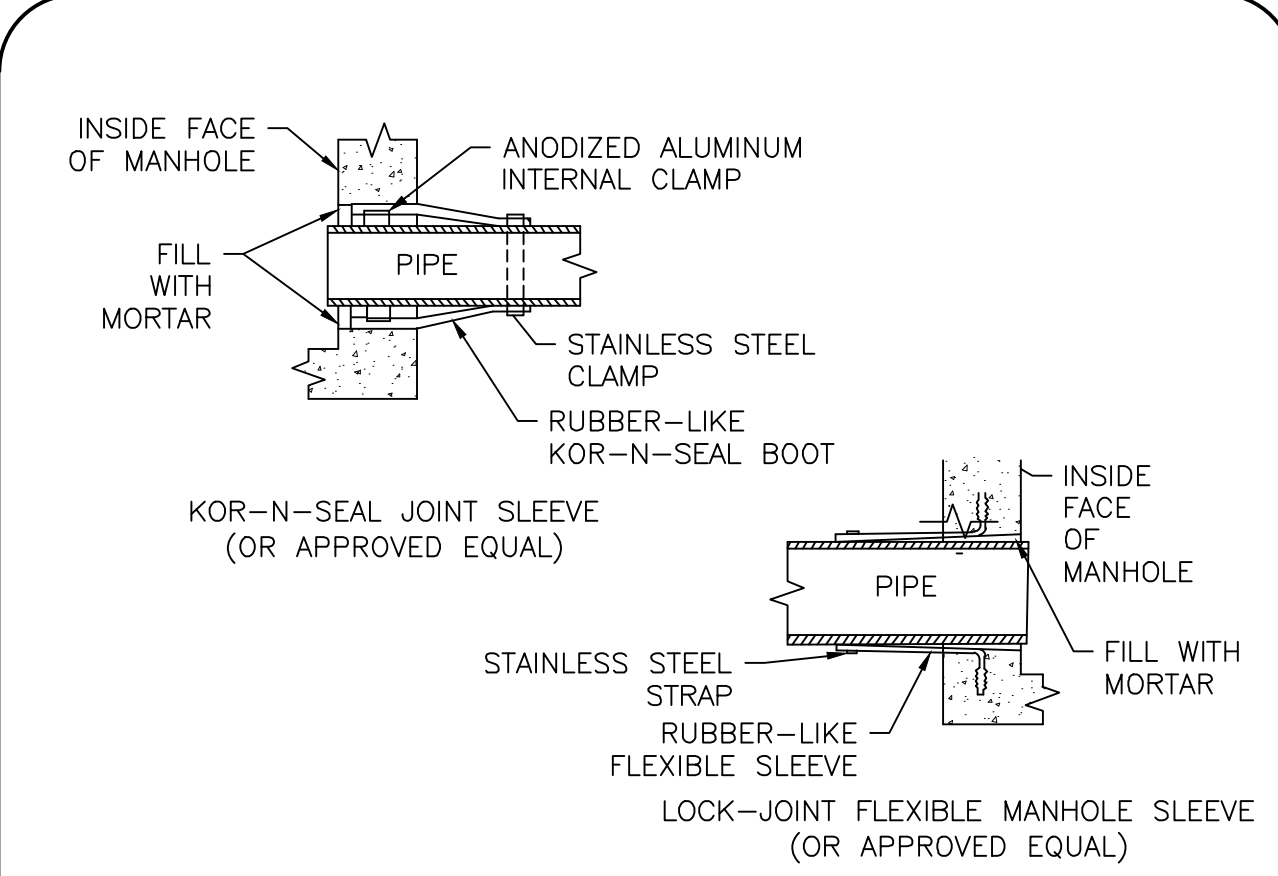
1



- NOTES:**
1. HORIZONTAL JOINTS BETWEEN SECTIONS OF PRECAST CONCRETE BARRELS SHALL BE OF A TYPE APPROVED BY THE ENGINEER, WHICH SHALL, IN GENERAL, DEPEND FOR WATER TIGHTNESS UPON AN ELASTOMERIC OR MASTIC-LIKE GASKET.
 2. ALL GASKETS AND SEALANTS SHALL BE INSTALLED IN ACCORDANCE WITH MANUFACTURER'S WRITTEN INSTRUCTIONS.
 3. FOR BITUMASTIC TYPE JOINTS THE AMOUNT OF SEALANT SHALL BE SUFFICIENT TO FILL AT LEAST 75% OF THE JOINT CAVITY.

SEWER MANHOLE JOINTING METHODS
NOT TO SCALE

2

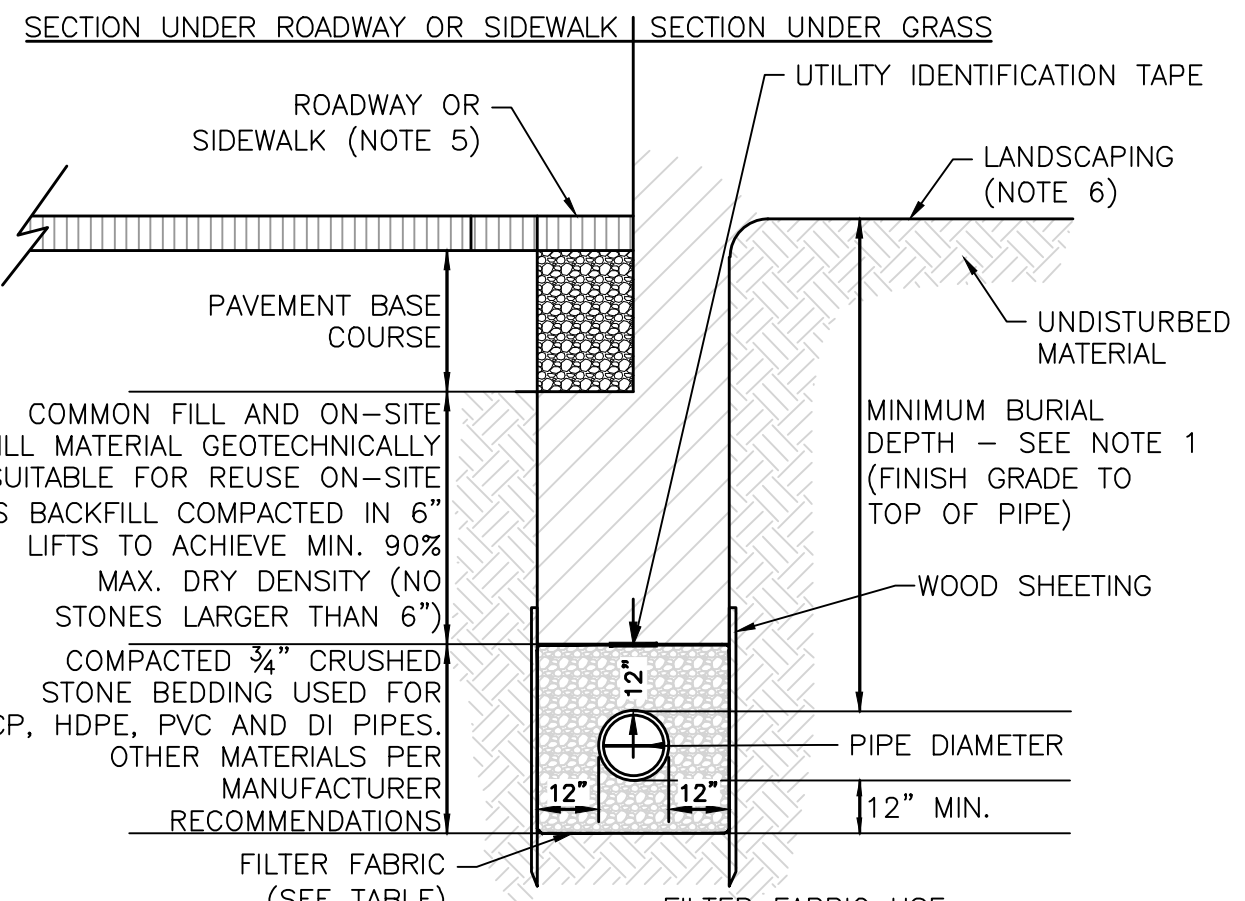


- NOTES:**
1. PIPE TO MANHOLE JOINTS SHALL BE ONLY AS APPROVED BY THE ENGINEER AND IN GENERAL, WILL DEPEND FOR WATER TIGHTNESS UPON ELASTOMETRIC SEALANT
 2. NON-SHRINKING MORTAR SHALL ONLY BE USED WHERE SPECIFICALLY APPROVED BY THE ENGINEER.

PIPE CONNECTION TO SEWER MANHOLE
NOT TO SCALE

3

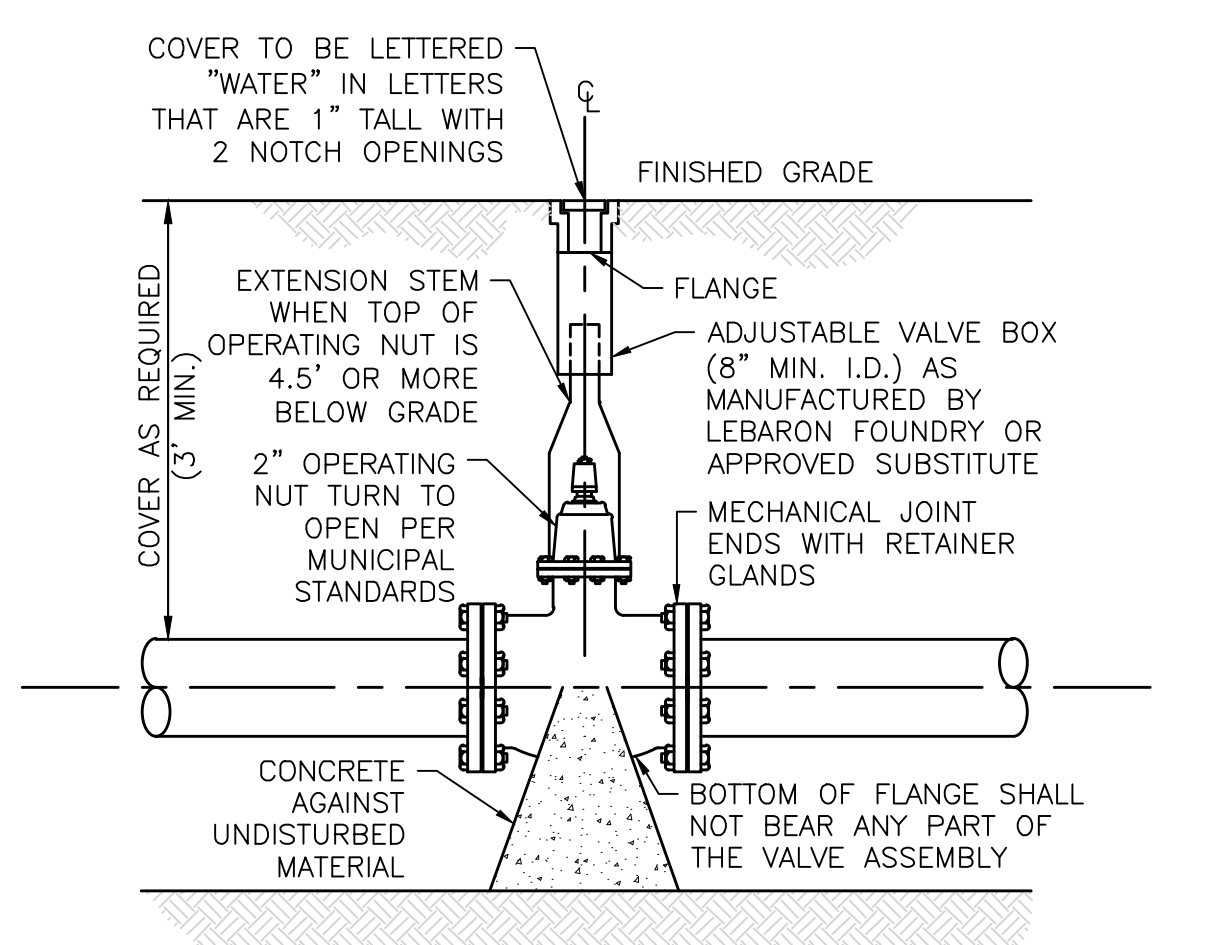
- NOTES:**
1. MINIMUM BURIAL DEPTH (FINISH GRADE TO TOP OF PIPE)
 - GRAVITY PIPE (SEWER & DRAIN) - SEE PLAN OR PROFILE, PROVIDE INSULATION WHERE COVER IS LESS THAN 4' OVER SEWER
 - PRESSURE PIPE UNDER PAVING - 4'
 - PRESSURE PIPE BENEATH UNPAVED - 3'
 - WATER PIPE - 5'
 2. WHERE BACKFILL IS DESIGNATED AS COMPACTED, THIS MEANS 90 TO 95% STANDARD PROCTOR, AASHTO T-99. ALL FILL PLACED BELOW PIPES AND STRUCTURES MUST MEET THIS REQUIREMENT.
 3. TRENCHES WITHIN PUBLIC RIGHT OF WAY MAY REQUIRE FLOWABLE FILL. VERIFY WITH MUNICIPAL ENGINEER.
 4. WHERE WASTE FILLS ARE ENCOUNTERED AT SUBGRADE LEVEL FOR NEW UTILITIES, THE FILL SHOULD BE OVER-EXCAVATED, THE SUBGRADE SHOULD BE RE-COMPACTED, AND BACKFILL CONSISTING OF PIPE BEDDING MATERIAL, CRUSHED STONE OR OTHER SUITABLE GRANULAR FILL SHOULD BE PLACED TO A SUFFICIENT DEPTH TO CREATE A FIRM AND STABLE SUBGRADE (TYPICALLY 12 TO 18 INCHES OVER-EXCAVATION).
 5. REFER TO PAVING, CURBS, WALKS AND DRIVEWAY DETAILS.
 6. REFER TO LANDSCAPING DETAILS.
 7. SHEETING, WHEN REQUIRED, TO BE CUT OFF AT LEAST 5' BELOW STREET AND A MINIMUM OF 1' ABOVE TOP OF PIPE. WOOD SHEETING DRIVEN BELOW MID-DIAMETER OF THE PIPE SHALL BE LEFT IN PLACE. STEEL SHEETING DRIVEN BELOW MID-DIAMETER MAY BE WITHDRAWN IF APPROVED IN WRITING BY THE ENGINEER. FOR PVC PIPE ALL SHEETING DRIVEN BELOW MID-DIAMETER SHALL BE LEFT IN PLACE.
 8. WHEN APPROVED BY THE ENGINEER FOR PIPES OTHER THAN PVC, SELECTED GRAVEL FILL MATERIAL MAY BE USED FROM MID-DIAMETER OF PIPE TO 12" ABOVE TOP OF PIPE. NO STONES LARGER THAN 2" IN ANY DIMENSION WILL BE PERMITTED IN THIS AREA - MASSDOT MATERIAL STANDARD M1.03.0 TYPE C.
 9. PROVIDE AT LEAST ONE IMPERVIOUS DAM IN GRAVEL BEDDING BETWEEN EACH MANHOLE WHERE DIRECTED, OR EVERY 300 FT, WHICHEVER IS LESS.
 10. BEDDING MATERIAL FOR PVC PIPE SHALL MEET THE REQUIREMENTS OF ASTM D2321 CLASS I OR CLASS II EMBEDMENT MATERIALS.



	FILTER FABRIC USE	
	SILT OR CLAY	GRANULAR SOIL
ABOVE GROUND WATER	FILTER FABRIC NOT REQUIRED	FILTER FABRIC NOT REQUIRED
BELOW GROUND WATER	FILTER FABRIC REQUIRED	FILTER FABRIC NOT REQUIRED

UTILITY TRENCH DETAIL
NOT TO SCALE

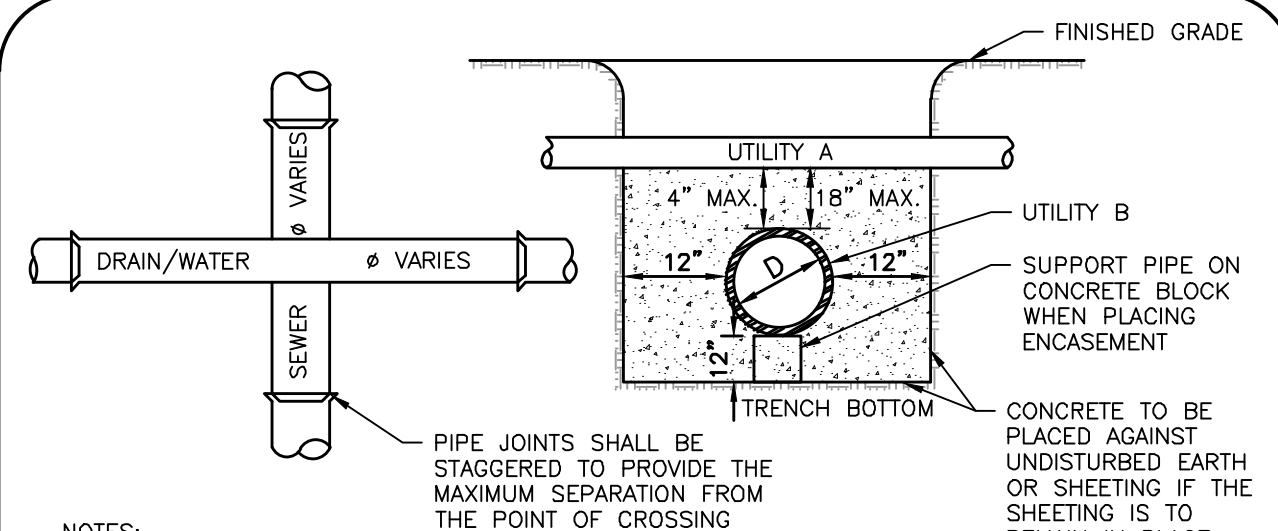
4



- NOTE:**
1. CONTRACTOR MAY USE ANCHOR TEES AT HIS OPTION.
 2. HYDRANTS AND VALVES TO OPERATE PER MUNICIPAL STANDARDS

GATE VALVE
NOT TO SCALE

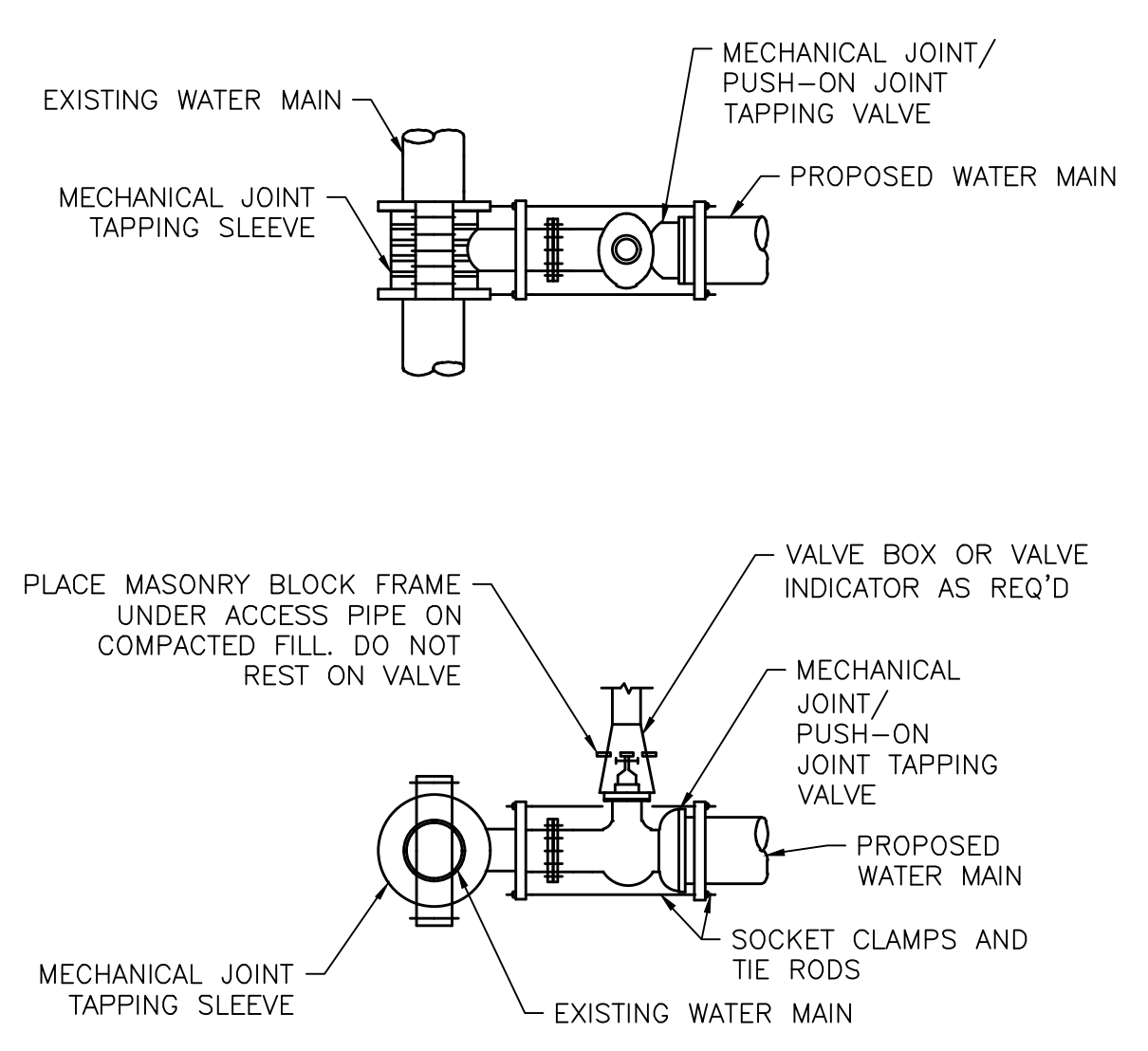
5



- NOTES:**
- WHENEVER CONDITIONS PREVENT A LATERAL SEPARATION OF 10 FEET BETWEEN A SEWER MAIN AND A WATER/DRAIN MAIN:
1. THE WATER/DRAIN MAIN SHALL BE LAID IN A SEPARATE TRENCH AND THE DIFFERENCE IN ELEVATION BETWEEN THE WATER/DRAIN MAIN AND THE SEWER MAIN SHALL BE AT LEAST 18 INCHES.
 2. THE PIPE CROSSING SHALL OCCUR AS CLOSE TO 90° AS PRACTICABLE.
 3. THE PIPE JOINTS SHALL BE STAGGERED TO PROVIDE THE MAXIMUM SEPARATION FROM THE POINT OF CROSSING.
 4. THE CROSSING SHALL BE ENCASED IN CONCRETE FOR THE ENTIRE WIDTH OF THE TRENCH AND FOR A DISTANCE OF 10 LINEAR FEET CENTERED ON THE CROSSING.
 5. UTILITIES A AND B CAN BE EITHER NEW OR EXISTING.
 6. WHEN ONE UTILITY IS A SANITARY SEWER, IT IS PREFERABLE TO BE POSITIONED AS SHOWN FOR UTILITY B.
 7. ENCASEMENT EXTENDS 10'-0" ON EACH SIDE OF THE CENTERLINE OF UTILITY A.
 8. PIPE MUST BE BRACED VERTICALLY AND HORIZONTALLY TO PREVENT FLOATATION DURING PLACEMENT OF CONCRETE.

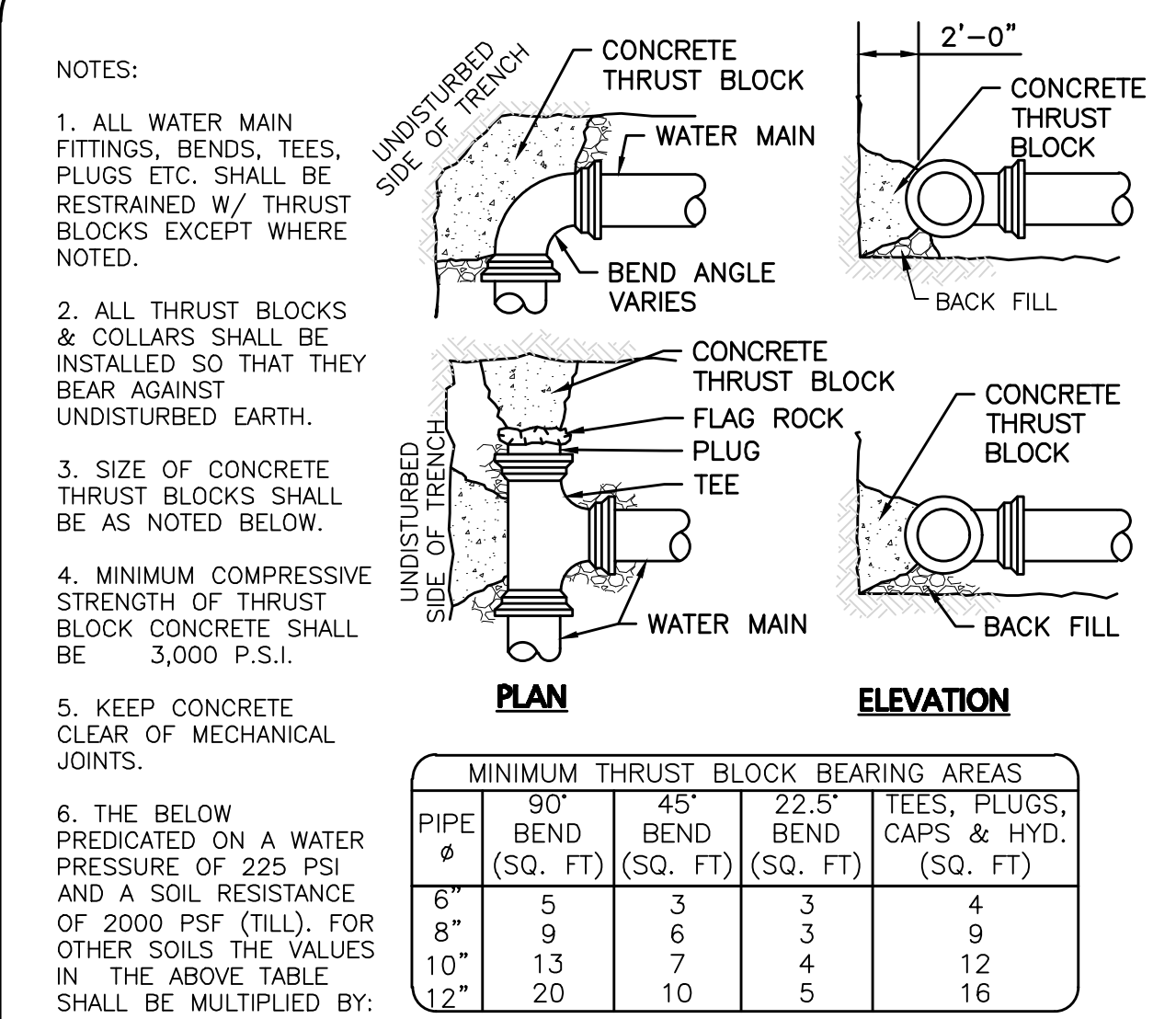
SEWER WATER/DRAIN CROSSING
NOT TO SCALE

6



TAPPING VALVE AND SLEEVE
NOT TO SCALE

7



- NOTES:**
1. ALL WATER MAIN FITTINGS, BENDS, TEES, PLUGS ETC. SHALL BE RESTRAINED W/ THRUST BLOCKS EXCEPT WHERE NOTED.
 2. ALL THRUST BLOCKS & COLLARS SHALL BE INSTALLED SO THAT THEY BEAR AGAINST UNDISTURBED EARTH.
 3. SIZE OF CONCRETE THRUST BLOCKS SHALL BE AS NOTED BELOW.
 4. MINIMUM COMPRESSIVE STRENGTH OF THRUST BLOCK CONCRETE SHALL BE 3,000 P.S.I.
 5. KEEP CONCRETE CLEAR OF MECHANICAL JOINTS.
 6. THE BELOW PREDICATED ON A WATER PRESSURE OF 225 PSI AND A SOIL RESISTANCE OF 2000 PSF (TILL). FOR OTHER SOILS THE VALUES IN THE ABOVE TABLE SHALL BE MULTIPLIED BY:

PIPE Ø	MINIMUM THRUST BLOCK BEARING AREAS			TEES, PLUGS, CAPS & HYD. (SQ. FT)
	90° BEND (SQ. FT)	45° BEND (SQ. FT)	22.5° BEND (SQ. FT)	
6"	5	3	3	4
8"	9	6	3	9
10"	13	7	4	12
12"	20	10	5	16

THRUST BLOCK DETAILS
NOT TO SCALE

8

NOT USED
NOT TO SCALE

9

NOT USED
NOT TO SCALE

10



PROFESSIONAL ENGINEER FOR ALLEN & MAJOR ASSOCIATES, INC.

REV	DATE	DESCRIPTION

APPLICANT/OWNER:
DONEGAL, LLC
PO BOX 4430
MANCHESTER, NH 03108

PROJECT:
PROPOSED INDUSTRIAL BUILDING
6 FORGE PARKWAY
FRANKLIN, MA
PARCEL ID: 272-005-000-000

PROJECT NO.: 1362-25 **DATE:** 02-05-24
SCALE: AS SHOWN **DWG.:** C-1362-25_Details
DESIGNED BY: SM **CHECKED BY:** MAM

PREPARED BY:

ALLEN & MAJOR ASSOCIATES, INC.
civil engineering • land surveying
environmental consulting • landscape architecture
www.allenmajor.com
100 COMMERCE WAY, SUITE 5
WOBURN MA 01801
TEL: (781) 935-6889
FAX: (781) 935-2896

WOBURN, MA • LAKEVILLE, MA • MANCHESTER, NH

THIS DRAWING HAS BEEN PREPARED IN ELECTRONIC FORMAT. CLIENTS REPRESENTATIVE OR CONSULTANT MAY BE PROVIDED COPIES OF DRAWINGS AND SPECIFICATIONS ON MAGNETIC MEDIA FOR HIS/HER INFORMATION AND USE FOR SPECIFIC APPLICATION TO THIS PROJECT. DUE TO THE POTENTIAL THAT THE MAGNETIC INFORMATION MAY BE MODIFIED UNINTENTIONALLY OR OTHERWISE, ALLEN & MAJOR ASSOCIATES, INC. MAY REMOVE ALL INDICATION OF THE DOCUMENTS AUTHORSHIP ON THE MAGNETIC MEDIA. PRINTED REPRESENTATIONS OF THE DRAWINGS AND SPECIFICATIONS ISSUED SHALL BE THE ONLY RECORD COPIES OF ALLEN & MAJOR ASSOCIATES, INC.'S WORK PRODUCT.

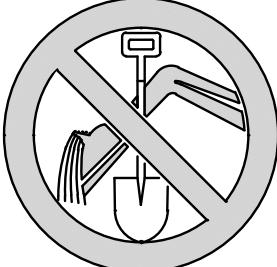
DRAWING TITLE: DETAILS **SHEET No.:** C-507

A:\PROJECTS\1362-25\CIVIL DRAWINGS\CURRENT\0-1362-25-DETAILS.DWG

GENERAL NOTES

1. THE LOCATIONS OF EXISTING UNDERGROUND UTILITIES ARE SHOWN IN AN APPROXIMATE WAY ONLY AND HAVE NOT BEEN INDEPENDENTLY VERIFIED BY THE OWNER OR ITS REPRESENTATIVE. THE CONTRACTOR SHALL DETERMINE THE EXACT LOCATION OF ALL EXISTING UTILITIES BEFORE COMMENCING WORK, AND AGREES TO BE FULLY RESPONSIBLE FOR ANY AND ALL DAMAGES WHICH MIGHT BE OCCASIONED BY THE CONTRACTOR'S FAILURE TO EXACTLY LOCATE AND PRESERVE ANY AND ALL UNDERGROUND UTILITIES.
2. THE INFORMATION SHOWN ON THIS PLAN IS THE SOLE PROPERTY OF ALLEN & MAJOR ASSOCIATES, INC. IT'S INTENDED USE IS TO PROVIDE INFORMATION. ANY ALTERATION, MISUSE, OR RECALCULATION OF INFORMATION OR DATA WITHOUT THE EXPRESSED, WRITTEN CONSENT OF ALLEN & MAJOR ASSOCIATES, INC. IS STRICTLY PROHIBITED.

DIG SAFE



BEFORE YOU DIG
CALL 811 OR
1-888-DIG-SAFE
1-888-344-7233

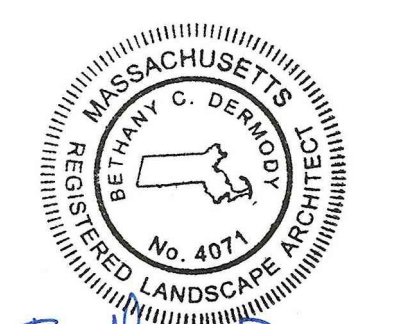
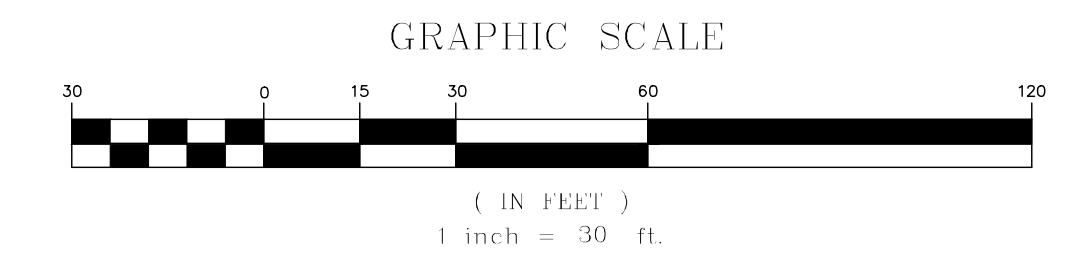
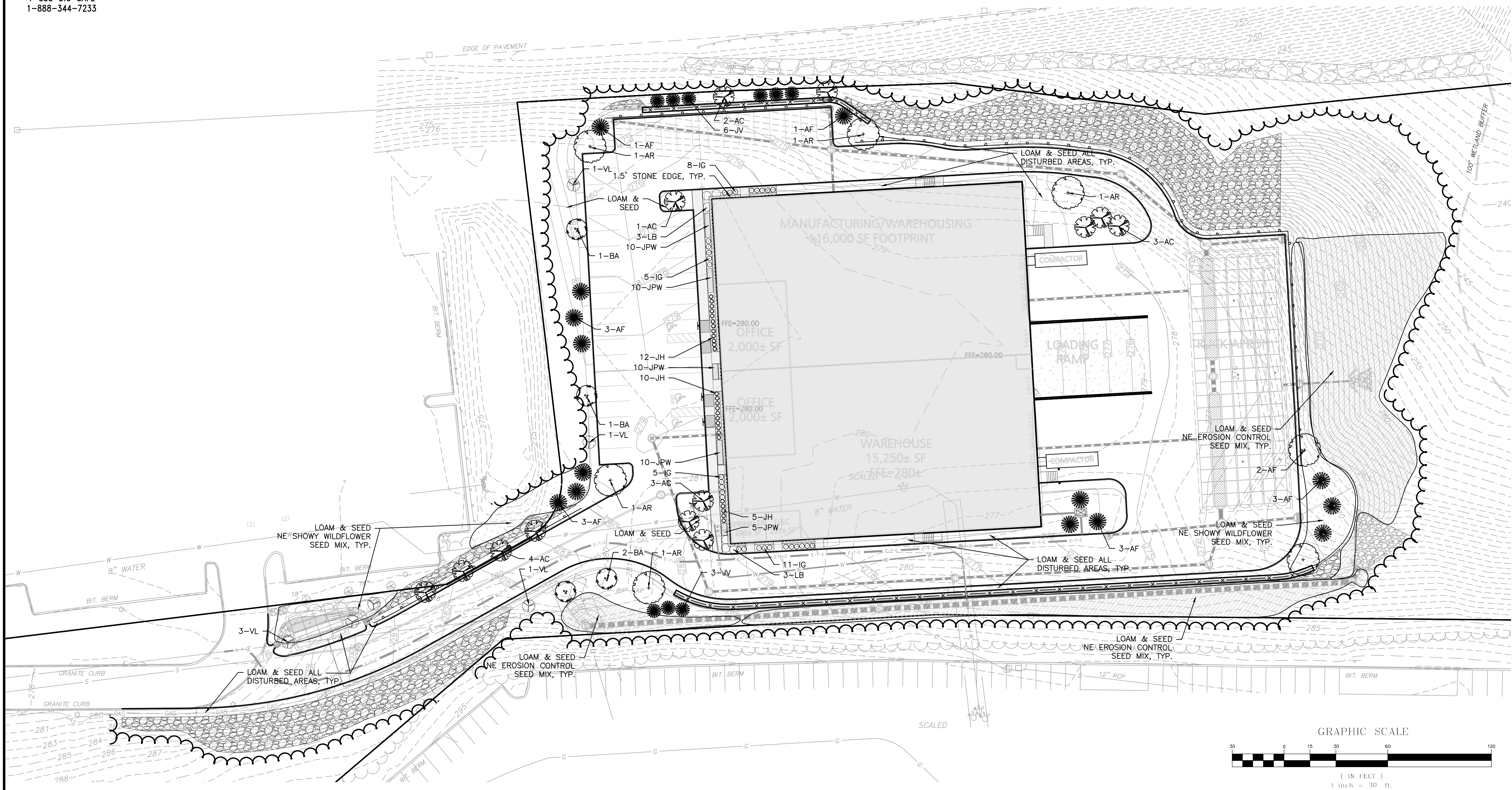
PLANTING SCHEDULE

DECIDUOUS AND EVERGREEN TREES						
KEY	QUANTITY	BOTANICAL NAME	COMMON NAME	MIN. SIZE	SPACING	COMMENTS
AR	7	ACER RUBRUM	RED MAPLE	2.5"-3" CAL.	AS SHOWN	B&B
AF	14	ABIES CONCOLOR	WHITE FIR	6-7' HT.	AS SHOWN	B&B
BA	4	BETULA ALLEGHENIENSIS	YELLOW BIRCH	2.5"-3" CAL.	AS SHOWN	B&B
JV	9	JUNIPERUS VIRGINIANA	EASTERN RED CEDAR	6-7' HT.	AS SHOWN	B&B
SHRUBS						
AC	13	AMELANCHIER CANADENSIS	SHADBUSH	6-7' HT.	AS SHOWN	POT
IG	29	ILEX GLABRA 'COMPACTA'	COMPACT INKBERRY	#5	AS SHOWN	POT
JH	27	JUNIPERUS HORIZONTALIS	CREeping JUNIPER	#5	AS SHOWN	POT
LB	6	LINDERA BENZOIN	SPICEBUSH	#5	AS SHOWN	POT
VL	6	VIBURNUM LENTAGO	NANNYBERRY VIBURNUM	5-6' HT.	AS SHOWN	B&B
PERENNIALS						
JPW	45	EUTROCHUM PURPUREUM	PURPLE JOE-PYE WEED	#2	AS SHOWN	POT

* ALL PLANTINGS ARE FROM THE BEST DEVELOPMENT PRACTICES GUIDEBOOK OF FRANKLIN, MA.

LEGEND

- DECIDUOUS TREE
- EVERGREEN TREE
- FLOWERING TREE
- SHRUBS
- MULCH BED
- PERENNIALS/GROUNDCOVER
- WILDFLOWER SEED MIX
- EROSION CONTROL SEED MIX



PROFESSIONAL LANDSCAPE ARCHITECT FOR ALLEN & MAJOR ASSOCIATES, INC.

REV	DATE	DESCRIPTION

APPLICANT/OWNER:
DONEGAL, LLC
PO BOX 4430
MANCHESTER, NH 03108

PROJECT:
PROPOSED INDUSTRIAL BUILDING
6 FORGE PARKWAY
FRANKLIN, MA
PARCEL ID: 272-005-000-000

PROJECT NO. 1362-25 DATE: 02-05-24

SCALE: 1" = 30' DWG.: L-1362-25_Landscape

DESIGNED BY: BCD CHECKED BY: MAM

PREPARED BY:



ALLEN & MAJOR ASSOCIATES, INC.
civil engineering • land surveying
environmental consulting • landscape architecture
www.allenmajor.com
100 COMMERCE WAY, SUITE 5
WOBURN MA 01801
TEL: (781) 935-6889
FAX: (781) 935-2896

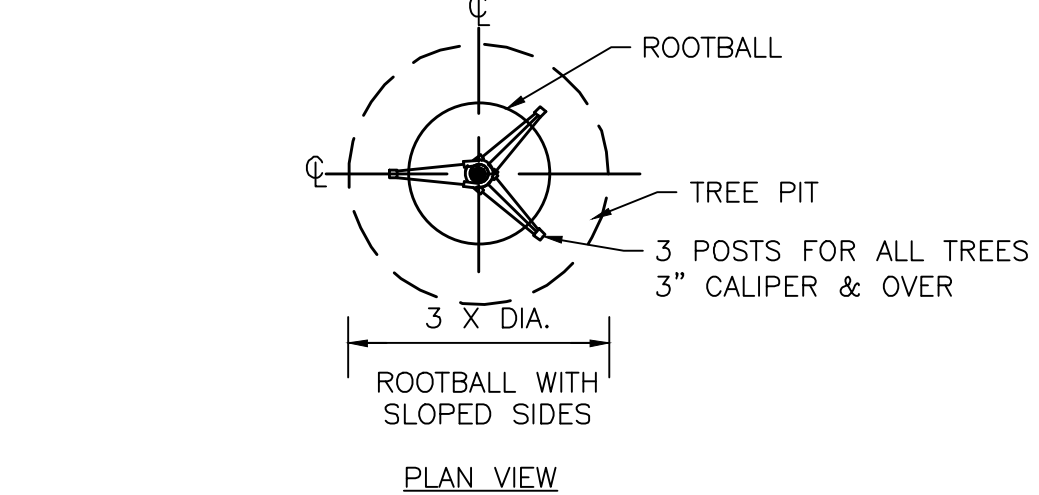
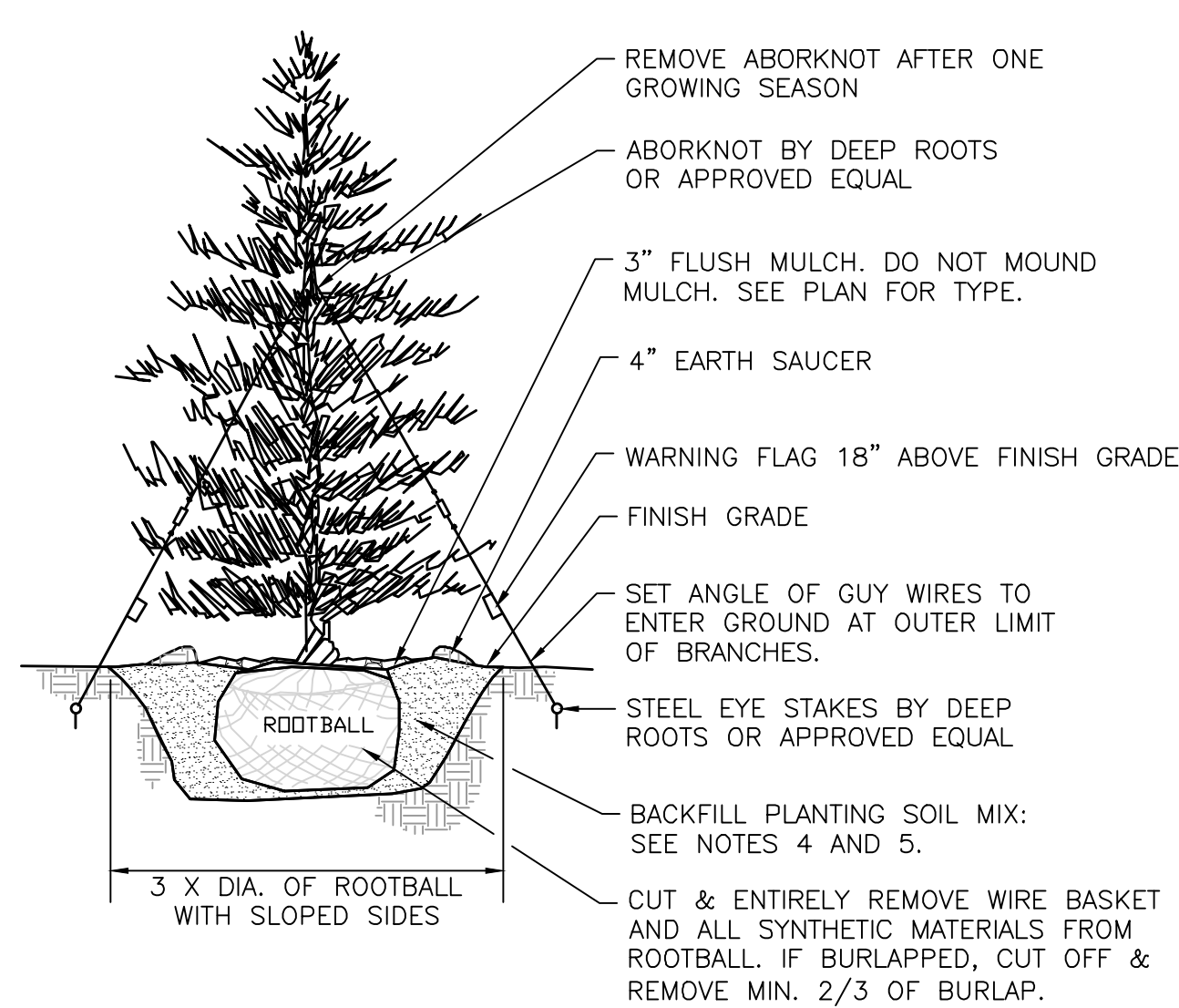
WOBURN, MA • LAKEVILLE, MA • MANCHESTER, NH

THIS DRAWING HAS BEEN PREPARED IN ELECTRONIC FORMAT. CLIENT/CUSTOMER'S REPRESENTATIVE OR CONSULTANT, MAY BE PROVIDED COPIES OF DRAWINGS AND SPECIFICATIONS ON MAGNETIC MEDIA FOR HIS/HER INFORMATION AND USE FOR SPECIFIC APPLICATION TO THIS PROJECT. DUE TO THE POTENTIAL THAT THE MAGNETIC INFORMATION MAY BE MODIFIED UNINTENTIONALLY OR OTHERWISE, ALLEN & MAJOR ASSOCIATES, INC. MAY REMOVE ALL INDICATION OF THE DOCUMENT'S AUTHORSHIP ON THE MAGNETIC MEDIA. PRINTED REPRESENTATIONS OF THE DRAWINGS AND SPECIFICATIONS ISSUED SHALL BE THE ONLY RECORD COPIES OF ALLEN & MAJOR ASSOCIATES, INC.'S WORK PRODUCT.

DRAWING TITLE: LANDSCAPE PLAN SHEET No. L-101

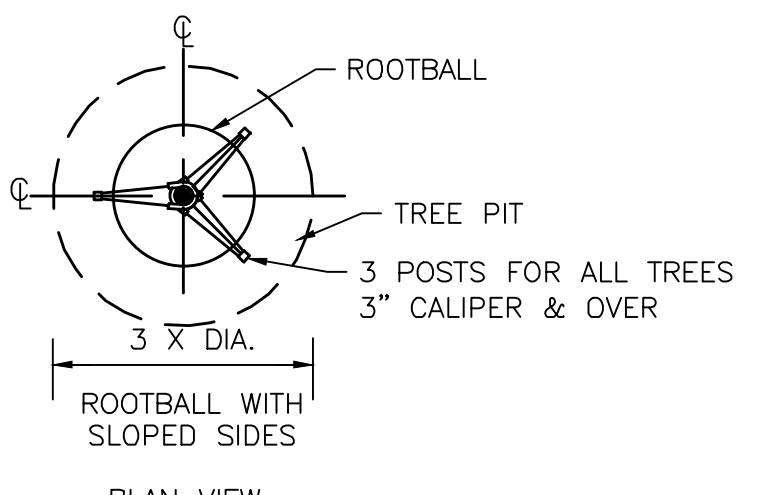
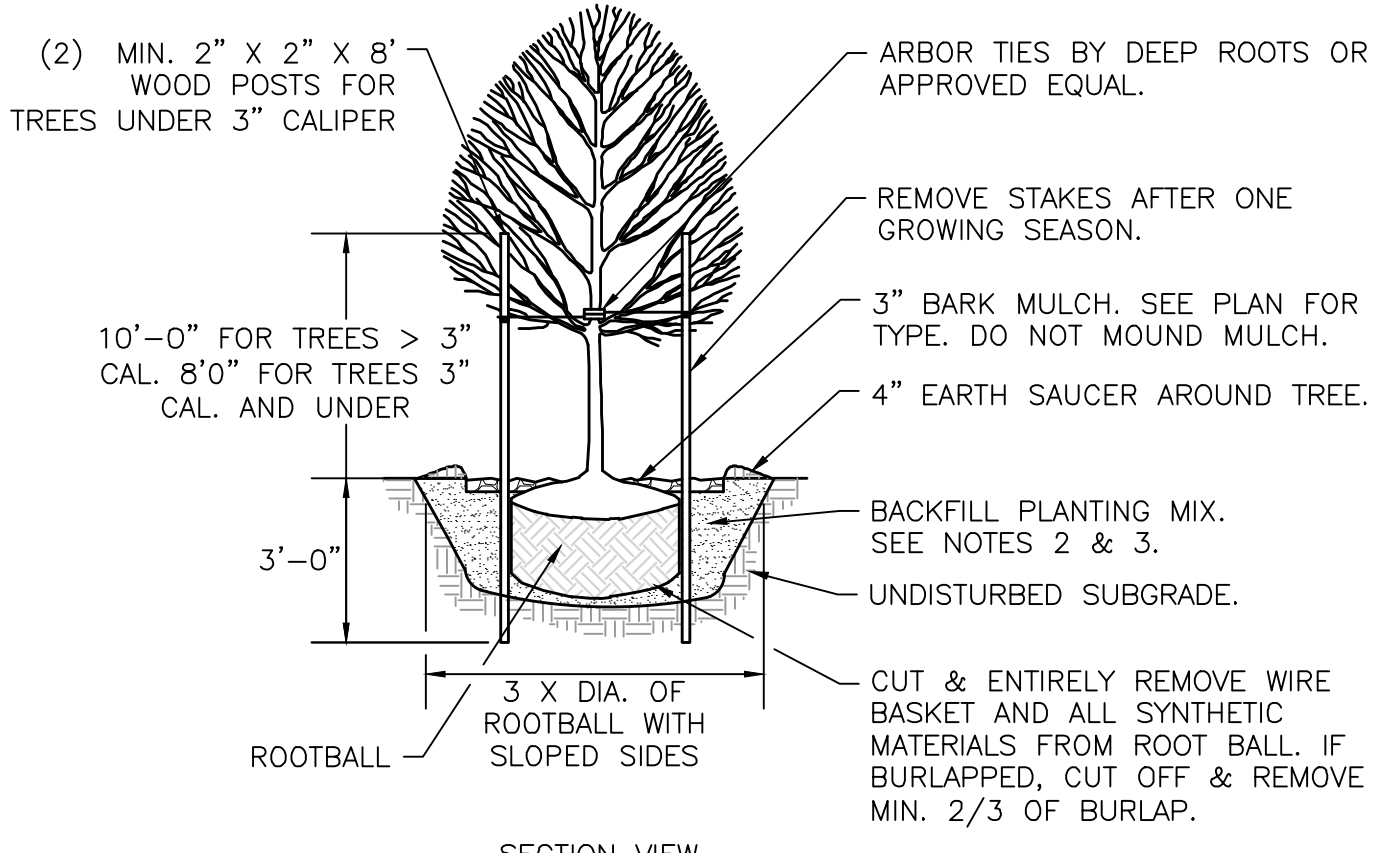
Copyright ©2024 Allen & Major Associates, Inc. All Rights Reserved. 21 OF 24

R:\PROJECTS\1362-25\CIVIL\DRAWINGS\CURRENT\L-1362-25_LANDSCAPE.DWG



- NOTES:**
- TREES SHALL BEAR SAME RELATIONSHIP TO FINISH GRADE AS IT BORE TO NURSERY OR FIELD GRADE. ROOT FLARE SHALL BE 2" ABOVE FINISH GRADE. REMOVE SOIL FROM TRUNK FLARE OF TREE TO DETERMINE ACTUAL TOP OF ROOTBALL AREA.
 - ATTACH GUY WIRES AT 2/3 HEIGHT OF TREE.
 - BACKFILL WITH PLANTING MIX. PLANT MIX TO BE: 50% NATIVE TOPSOIL, 20% BLENDED AND GROUND COMPOST (LEAVES & ORGANIC MATERIAL, NO ASH OR TOXIC MATERIALS) 20% PEAT MOSS, 10% SAND.
 - ADD MYCORRHIZA SOIL ADDITIVES AND SLOW RELEASE FERTILIZER WHEN PLANT HOLES ARE 50% FILLED AND WATER THOROUGHLY AT COMPLETION.

EVERGREEN TREE
NOT TO SCALE **1**



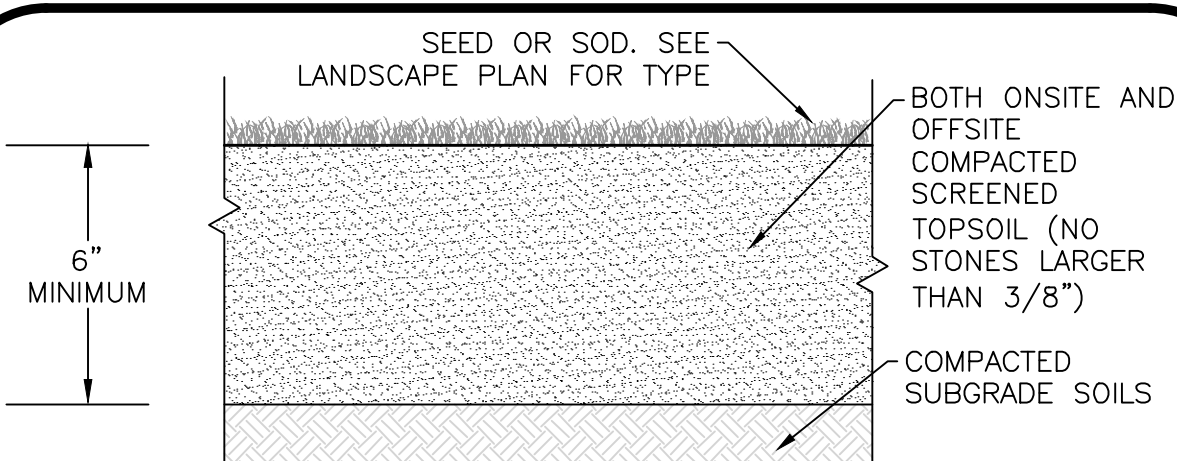
- NOTES:**
- ALL TREES SHALL HAVE THE SAME RELATIONSHIP TO FINISH GRADE AFTER PLANTING AS THEY HAD AT THE ORIGINAL NURSERY SETTING. ROOT FLARE SHALL BE 2" ABOVE FINISH GRADE. REMOVE SOIL FROM TRUNK FLARE OF TREE TO DETERMINE ACTUAL ROOTBALL AREA.
 - BACKFILL WITH PLANTING MIX. PLANT MIX TO BE: 50% NATIVE TOPSOIL, 20% BLENDED AND GROUND COMPOST (LEAVES & ORGANIC MATERIAL, NO ASH OR TOXIC MATERIALS) 20% PEAT MOSS, 10% SAND.
 - ADD MYCORRHIZA SOIL ADDITIVES AND SLOW RELEASE FERTILIZER WHEN PLANT HOLES ARE 50% FILLED AND WATER THOROUGHLY AT COMPLETION.

DECIDUOUS TREE
NOT TO SCALE **2**

LANDSCAPE NOTES

- ALL WORK SHALL BE IN ACCORDANCE WITH THE REQUIREMENTS OF THE TOWN OF FRANKLIN, MA.
- ANY PROPOSED PLANT SUBSTITUTIONS MUST BE APPROVED IN WRITING BY OWNER'S REPRESENTATIVE AND LANDSCAPE ARCHITECT.
- ALL PLANT MATERIALS INSTALLED SHALL MEET THE GUIDELINES ESTABLISHED BY THE AMERICAN STANDARD FOR NURSERY STOCK PUBLISHED BY AMERICANHORT (LATEST EDITION).
- ALL PLANT MATERIALS SHALL BE GUARANTEED FOR ONE YEAR FOLLOWING DATE OF ACCEPTANCE. ANY PLANT MATERIALS WHICH DIE WITHIN THE ONE YEAR PLANT GUARANTEE PERIOD WILL BE REPLACED BY THE LANDSCAPE CONTRACTOR. OWNERS TO COORDINATE DIRECTLY WITH THE LANDSCAPE CONTRACTOR FOR REPLACEMENT PLANTINGS.
- ALL DISTURBED AREAS NOT OTHERWISE NOTED SHALL RECEIVE 6" OF SUITABLE LOAM & SEED.
- LAWNS WITH 3:1 OR GREATER SLOPES SHALL BE PROTECTED WITH AN EROSION CONTROL BLANKET.
- TREES SHALL HAVE A MINIMUM CALIPER AS INDICATED ON THE PLANTING SCHEDULE TAKEN ONE FOOT ABOVE THE ROOT CROWN.
- ALL PLANT BEDS AND TREE SAUCERS TO RECEIVE 3" OF PINE BARK MULCH. GROUND COVER AREAS SHALL RECEIVE 1" OF PINE BARK MULCH.
- ALL DECIDUOUS TREES ADJACENT TO WALKWAYS AND ROADWAYS SHALL HAVE A BRANCHING PATTERN TO ALLOW FOR A MINIMUM OF 7' OF CLEARANCE BETWEEN THE GROUND AND THE LOWEST BRANCH.
- CONTRACTOR RESPONSIBLE FOR WATERING AND RESEEDING OF BARE SPOTS UNTIL A UNIFORM STAND OF VEGETATION IS ESTABLISHED AND ACCEPTED.
- ALL PARKING ISLANDS PLANTED WITH SHRUBS SHALL HAVE 24" OF TOP SOIL. FINISH GRADE SHALL BE SLOPED TO SIX INCHES (6") ABOVE THE TOP OF CURB.
- SOIL SAMPLES, TESTS, AND SHOP DRAWINGS SHALL BE PROVIDED TO THE LANDSCAPE ARCHITECT OR THE OWNER FOR APPROVAL PRIOR TO CONSTRUCTION.
- NO MULCH IS ALLOWED WITHIN 18" OF ALL BUILDINGS PER THE LATEST EXECUTIVE OFFICE OF PUBLIC SAFETY AND SECURITY DEPARTMENT OF FIRE SERVICES REGULATION (527 CMR 17.00).
- SLOPES AT 2:1 SHOULD HAVE 6" LOAM & SEED. SEEDING OF 2:1 SLOPES SHALL OCCUR IN THE DRY & AFTER SLOPES ARE COMPACTED.
- ALL LANDSCAPED AREAS WITH SHRUBS, TREES, AND PERENNIALS TO HAVE 2 FEET MINIMUM DEPTH OF TOPSOIL. TWO FEET OF TOPSOIL AROUND TREES AND SHRUBS DOES NOT INCLUDE AMENDED PLANTING SOIL WITHIN TREE / SHRUB PIT FOR FULL DEPTH OF ROOTBALLS. SEE PLANTING DETAILS FOR PLANTING DEPTH AT SHRUBS AND TREES. ALL AREAS OF LOAM AND SEED TO HAVE 6" MINIMUM DEPTH OF TOPSOIL. TOPSOIL TO BE TESTED BY CONTRACTOR, AND APPROVED BY A&M PRIOR TO PURCHASE AND OR PLACEMENT. GENERAL, DEMOLITION, AND LANDSCAPE CONTRACTORS TO COORDINATE PROPER DEPTH OF EXISTING MATERIAL REMOVAL ACROSS SITE SO THAT 2 FEET MINIMUM AND 6" MINIMUM DEPTHS OF PROPOSED TOPSOIL NOTED ABOVE ARE MET. SEE TOPSOIL DETAIL.
- PRIOR TO LAYING TOPSOIL, ALL SUBSOIL (BELOW PROPOSED TOPSOIL) TO BE TILLED TO A DEPTH OF AT LEAST 18" TO REMOVE CONSTRUCTION COMPACTION AND ALLOW FOR PROPER DRAINAGE OF TOPSOILS.
- ALL SEEDING TO BE COMPLETED "IN SEASON" BETWEEN APRIL 1 TO JUNE 15 OR AUGUST 15 TO OCTOBER 1, EXCEPT FOR RE-SEEDING OF BARE SPOTS. AT ALL SLOPED AREAS CONTRACTOR TO INSTALL COCONUT FIBER JUTE MESH NETTING ON ALL SLOPES 3:1 AND GREATER, HYDROSEED ALL EXPOSED AREAS, ADD SOIL STABILIZER "FLEXITERRA HP-FGM" AS MANUFACTURED BY "PROFILE" TO HYDROSEED (AT RATE OF 3,000 LBS PER ACRE). CONTRACTOR TO ALSO BE RESPONSIBLE FOR RE-GRADING AND RE-SEEDING ALL DISTURBED, ERODED, OR BARE SPOTS & UNTIL SLOPES ARE FULLY STABLE. CONTRACTOR RESPONSIBLE FOR ALL MAINTENANCE UNTIL FINAL ACCEPTANCE OF LAWN AREAS INCLUDING: WATERING, ADDING FERTILIZERS AND LIME AND MOWING.
- AFTER SEEDING, ALL AREAS TO BE LIGHTLY MULCHED WITH WEED FREE STRAW & CONTINUALLY WATERED EVERY DAY SO THAT SEED IS KEPT MOIST UNTIL SEED IS ESTABLISHED & APPROVED BY A&M LANDSCAPE ARCHITECT (USE NO HAY).
- LOAM AND SEED WET MIX TO BE PROVIDED BY NEW ENGLAND WETLAND PLANTS. WWW.NEWP.COM
- IF THERE IS NO PROPOSED IRRIGATION SYSTEM AFTER PLANTINGS & LAWNS & SEEDED AREAS HAVE BEEN INSTALLED, LANDSCAPE CONTRACTOR RESPONSIBLE TO TEMPORARILY WATER ALL INSTALLED PLANTINGS, SEEDED AREAS, & LAWN AREAS MIN. 4 TIMES A WEEK DURING INITIAL ESTABLISHMENT PERIOD OF 6 MONTHS AFTER ALL LANDSCAPING IS INSTALLED.

- SEEDING OF BIORETENTION & DETENTION AREAS & OTHER SLOPE AREAS SHALL OCCUR IN THE DRY & AFTER SLOPES ARE COMPACTED. IT IS IMPORTANT, THAT THE BIORETENTION AREAS/ DETENTION BASIN BE SEEDED AT THE BEGINNING OF THE PROJECT & PRIOR TO ANY DRAINAGE BEING DIRECTED TOWARDS THE BASIN. THE SEED AT DETENTION AREAS & OTHER SLOPED AREAS WILL NEED A MINIMUM OF 6 MONTHS TO INITIALLY ESTABLISH PRIOR TO THE DETENTION BASIN BEING UTILIZED SO THAT THERE IS NOT EROSION & SLOPE FAILURE. LIGHTLY RAKE SOIL TO ENSURE GOOD SEED-TO-SOIL CONTACT. SEE SEED MIX DETAIL NOTES.
- FOR SPREADING OF THE SEED WITH DRY DETENTION BASINS, WATER LEVELS MAY BE LOWERED IN THE DETENTION AREAS BY RELYING ON DRY SEASON AND OR DRY SPELLS; OR MAY BE ACCOMPLISHED THROUGH THE USE OF DEWATERING METHODS. CONTRACTOR SHALL SUBMIT SHOP DRAWINGS OF ANY DEWATERING METHODS FOR REVIEW AND APPROVAL PRIOR TO CONSTRUCTION. WATER FROM ANY DEWATERING OPERATION SHALL BE TREATED TO REDUCE TOTAL SUSPENDED SOLIDS AND BE IN COMPLIANCE WITH STATE AND FEDERAL STANDARDS.

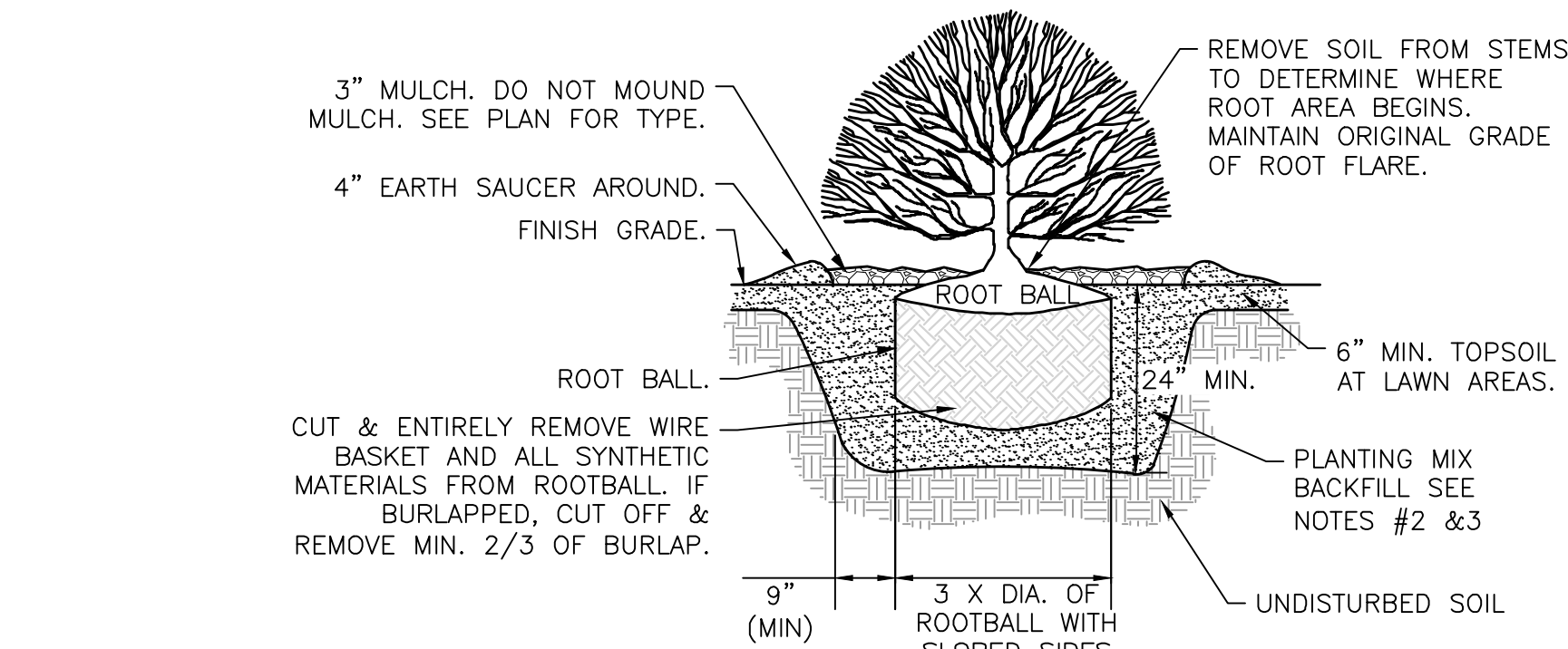


TEXTURE CLASS	% OF TOTAL WEIGHT
SAND	45% - 65%
SILT	15% - 35%
CLAY	5% - 20%

SIEVE	% PASSING
3/8"	100
No. 4	85-100
No. 40	60-85
No. 100	38-60
No. 200	28-40

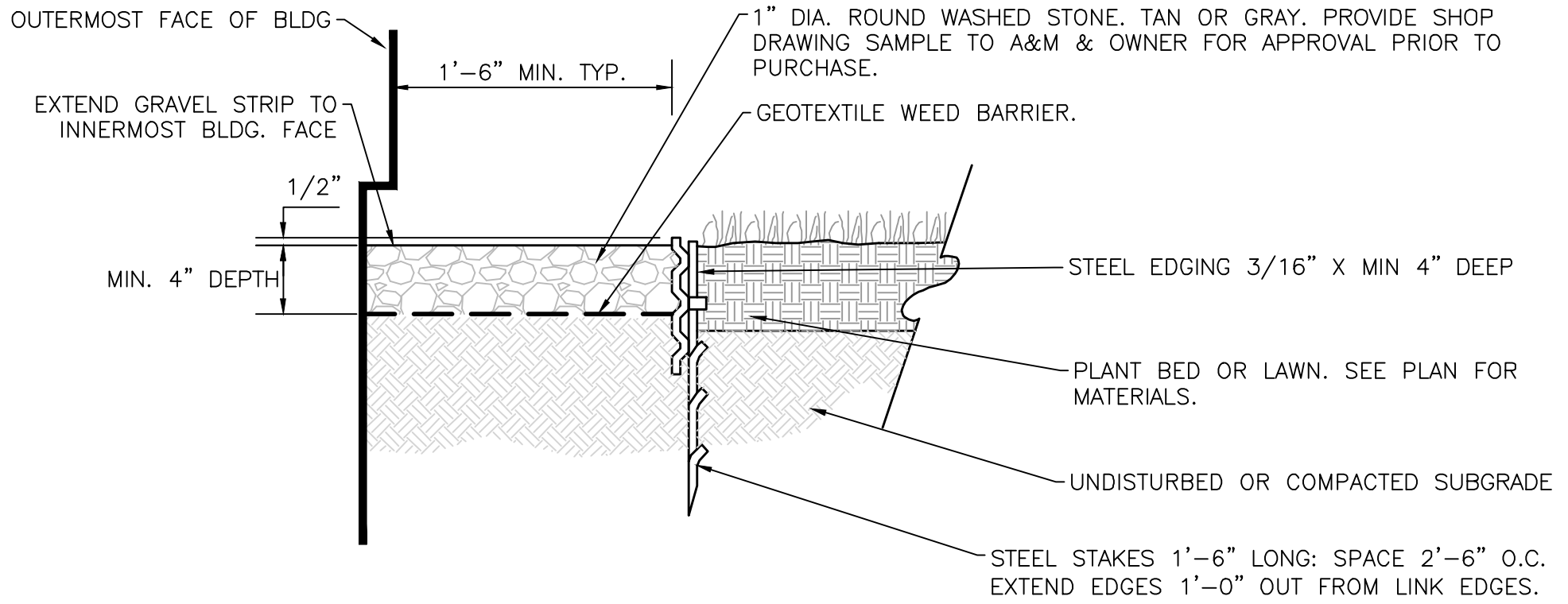
- NOTES:**
- TOP OF LOAM (TOPSOIL) IS FINISH GRADE.
 - ALL TOPSOIL (BOTH ONSITE AND OFFSITE SOURCES) SHALL BE COMPOSED OF A NATURAL, FERTILE, FRIBILE, SOIL TYPICAL OF CULTIVATED TOPSOILS OF THE LOCALITY. SOIL SHALL BE SUITABLE FOR THE GERMINATION OF SEEDS AND SUPPORT OF VEGETATIVE GROWTH, WITH ADDITIVES, IF REQUIRED, TO ACHIEVE PARTICLE DISTRIBUTION AND ORGANIC CONTENT BELOW. TOPSOIL SHALL BE TAKEN FROM A WELL-DRAINED, ARIABLE SITE, FREE OF SUBSOIL, LARGE STONES, EARTH CLOUDS, STICKS, TRASH, STUMPS, CLAY LUMPS, ROOTS, OTHER OBJECTIONABLE, EXTRANEOUS MATTER OR DEBRIS NOR CONTAIN TOXIC SUBSTANCES.
 - THE CONTRACTOR SHALL PROVIDE THE OWNER / LANDSCAPE ARCHITECT WITH TOPSOIL TEST RESULTS (RECOMMEND UMASS AMHERST SOIL TESTING LAB) FOR APPROVAL PRIOR TO OBTAINING AND PLACING THE SOIL. IF THE PLANTING SOIL (BOTH ONSITE AND OFFSITE SOURCES) DOES NOT FALL WITHIN THE REQUIRED SIEVE ANALYSIS, TEXTURAL CLASS, ORGANIC CONTENT, OR PH RANGE, IT SHALL BE ADJUSTED TO MEET THE SPECIFICATIONS THROUGH THE ADDITION OF SAND, COMPOST, LIMESTONE, OR ALUMINUM SULFATE TO BRING IT WITHIN THE SPECIFIED LIMITS.
 - TOPSOIL SHALL HAVE A PH VALUE BETWEEN 5.5 AND 6.5. TOPSOIL SHALL CONTAIN BETWEEN 4% AND 8% ORGANIC MATTER OF TOTAL DRY WEIGHT AND SHALL CONFORM TO THE FOLLOWING GRADATION AND TEXTURE CLASS ABOVE.

TOPSOIL FOR LAWN, TREES, SHRUBS, & PERENNIALS
NOT TO SCALE **4**



- NOTES:**
- ALL SHRUBS ROOT FLARE SHALL HAVE THE SAME RELATIONSHIP TO FINISH GRADE AFTER PLANTING AS THEY HAD AT THE ORIGINAL NURSERY SETTING.
 - BACKFILL WITH PLANTING MIX. PLANT MIX TO BE: 50% NATIVE TOPSOIL, 20% COMPOST (LEAVES & ORGANIC MATERIAL, NO ASH) 20% PEAT MOSS, 10% SAND.
 - ADD MYCORRHIZA SOIL ADDITIVES AND SLOW RELEASE FERTILIZER WHEN PLANT HOLES ARE 50% FILLED. WATER THOROUGHLY AT COMPLETION.
 - SHRUB BEDS TO HAVE 24" MIN. OF CONTINUOUS PLANTING SOIL.

SHRUB
NOT TO SCALE **3**



- NOTES:**
- STONE STRIP IS TO BE INSTALLED CONTINUOUS ADJACENT TO THE ENTIRE FACE OF BUILDINGS EXCEPT WHERE OTHER HARD SURFACING MATERIALS ARE SPECIFIED OR IF SHOWN OTHERWISE ON PLAN.
 - STONE STRIP TO BE INSTALLED UNDER ALL BUILDING OVERHANGS.
 - COORDINATE INSTALLATION OF STONE STRIP WITH INSTALLATION OF FOUNDATION DRAIN & TO BE LOCATED BEYOND ROOF OVERHANG.

STONE DRIP STRIP ALONG BUILDING
NOT TO SCALE **5**



PROFESSIONAL LANDSCAPE ARCHITECT FOR ALLEN & MAJOR ASSOCIATES, INC.

REV	DATE	DESCRIPTION

APPLICANT/OWNER:
DONEGAL, LLC
PO BOX 4430
MANCHESTER, NH 03108

PROJECT:
PROPOSED INDUSTRIAL BUILDING
6 FORGE PARKWAY
FRANKLIN, MA
PARCEL ID: 272-005-000-000

PROJECT NO. 1362-25 DATE: 02-05-24

SCALE: AS SHOWN DWG.: L-1362-25_Landscape

DESIGNED BY: BCD CHECKED BY: MAM

PREPARED BY:

ALLEN & MAJOR ASSOCIATES, INC.
civil engineering • land surveying
environmental consulting • landscape architecture
www.allenmajor.com
100 COMMERCE WAY, SUITE 5
WOBURN MA 01801
TEL: (781) 935-6889
FAX: (781) 935-2896

WOBURN, MA • LAKEVILLE, MA • MANCHESTER, NH

THIS DRAWING HAS BEEN PREPARED IN ELECTRONIC FORMAT. CLIENT/CUSTOMER'S REPRESENTATIVE OR CONSULTANT MAY BE PROVIDED COPIES OF DRAWINGS AND SPECIFICATIONS ON MAGNETIC MEDIA FOR HIS/HER INFORMATION AND USE FOR SPECIFIC APPLICATION TO THIS PROJECT. DUE TO THE POTENTIAL THAT THE MAGNETIC INFORMATION MAY BE MODIFIED UNINTENTIONALLY OR OTHERWISE, ALLEN & MAJOR ASSOCIATES, INC. MAY REMOVE ALL INDICATION OF THE DOCUMENT'S AUTHORSHIP ON THE MAGNETIC MEDIA. PRINTED REPRESENTATIONS OF THE DRAWINGS AND SPECIFICATIONS ISSUED SHALL BE THE ONLY RECORD COPIES OF ALLEN & MAJOR ASSOCIATES, INC.'S WORK PRODUCT.

DRAWING TITLE: **LANDSCAPE NOTES & DETAILS** SHEET No. **L-501**

R:\PROJECTS\1362-25\CIVIL DRAWINGS\CURRENT\1-1362-25-LANDSCAPE.DWG

LOAM AND SEEDING NOTES:

CONTRACTOR SHALL SEED ALL DISTURBED AREAS NOT NOTED TO RECEIVE OTHER MATERIALS, AND AT AREAS SHOWN ON THE PLAN PER SPECIFICATIONS BELOW

SCIENTIFIC NAME	COMMON NAME	PROPORTION BY WEIGHT	PERCENT PURITY	PERCENT GERMINATION
FESTUCA RUBRA "RUBRA"	CREEPING RED FESCUE	37%	95%	90%
PAO PRAENTENSIS "BARON"	BARON KENTUCKY BLUEGRASS	40%	85%	90%
LOLIUM PERENNE "PALMER"	PALMER PERENNIAL RYEGRASS	15%	95%	90%
FESTUCA RUBRA COMMUTATA WILMA	WILMA CHEWINGS	8%	95%	80%

- SEED TO BE SPREAD AT MINIMUM RATE OF 5 LBS. PER 1000 SQ. FT.
- SEEDING TO BE COMPLETED "IN SEASON" BETWEEN APRIL 1 TO JUNE 15 OR AUGUST 15 TO OCTOBER 1, EXCEPT FOR RESEEDING OF BARE SPOTS. IF UNABLE TO SEED WITHIN THESE TIMEFRAMES, CONTRACTOR TO INSTALL EROSION CONTROL MATS ON ALL SLOPES 3:1 AND OVER, HYDROSEED ALL EXPOSED AREAS, ADD SOIL STABILIZER "FLUX TERRA HP-FGM SOIL STABILIZER" AS MANUFACTURED BY "PROFILE" TO HYDROSEED (AT RATE OF 3,000 LBS PER ACRE), AT NO ADDITIONAL COST TO THE OWNER. CONTRACTOR TO COMPLETE ALL ABOVE "OUT OF SEASON" REQUIREMENTS AND THEN ALSO BE RESPONSIBLE FOR RE-GRADING AND RE-SEEDING ALL DISTURBED, ERODED, OR BARE SPOTS WITHIN NEXT CLOSEST PLANTING SEASON IN FALL OR SPRING AT NO ADDITIONAL COST TO OWNER. CONTRACTOR RESPONSIBLE FOR ALL MAINTENANCE UNTIL FINAL ACCEPTANCE OF LAWN AREAS INCLUDING: WATERING, ADDING FERTILIZERS AND LIME AND MOWING AT NO ADDITIONAL COST TO OWNER.
- COMMERCIAL FERTILIZER SHALL BE APPLIED AT THE RATE OF 25 POUNDS PER 1000 SQ. FT. OR AS RECOMMENDED BY THE TESTING AGENCY. LIME TO BE SPREAD AT THE RATE OF 100 POUNDS PER 1000 SQ. FT OR AS RECOMMENDED BY THE TESTING AGENCY. COMMERCIAL FERTILIZER SHALL BE A COMPLETE FERTILIZER CONTAINING AT LEAST 50% OF THE NITROGEN OF WHICH IS DERIVED FROM NATURAL ORGANIC SOURCES OF UREAFORM. IT SHALL CONTAIN THE FOLLOWING PERCENTAGES BY WEIGHT: NITROGEN (N) 10%, PHOSPHORUS (P) 6%, POTASH (K) 4%. LIME SHALL BE AN APPROVED AGRICULTURAL LIMESTONE CONTAINING NOT LESS THAN 85% OF TOTAL CARBONATES. LIMESTONE SHALL BE GROUND TO SUCH FINENESS THAT 50% WILL PASS A 100 MESH SIEVE AND 90% WILL PASS THROUGH A 20 MESH SIEVE.
- LAWN AREAS TO BE SEED BY SOWING EVENLY WITH AN APPROVED MECHANICAL SEEDER AT THE RATE OF TEN POUNDS PER 1000 SQUARE FEET.
- CONTRACTOR RESPONSIBLE FOR WATERING, MOWING, AND RESEEDING OF LAWN BARE SPOTS UNTIL A UNIFORM, HEALTHY STAND OF GRASS IS ESTABLISHED AND ACCEPTED.

EROSION CONTROL/RESTORATION DRY SEED MIX:

NEW ENGLAND EROSION CONTROL/RESTORATION MIX FOR DRY SITES
(BY NEW ENGLAND WETLAND PLANTS INC. - NEWP.COM)
APPLICATION RATE: 35LBS/ACRE | 1250 SQ FT/LB

ITEM	BOTANICAL NAME	COMMON NAME	INDICATOR
1.	ELYMUS RIPARIUS	RIVERBANK WILD RYE	FACW
2.	ELYMUS CANADENSIS	CANADA WILD RYE	FACU+
3.	FESTUCA RUBRA	RED FESCUE	FACU
4.	LOLIUM MULTIFLORUM	ANNUAL RYEGRASS	
5.	LOLIUM PERENNE	PERRENIAL RYEGRASS	
6.	PANICUM VIRGATUM	SWITCH GRASS	FAC
7.	SORGHASTRUM NUTANS	INDIAN GRASS	UPL
8.	SCHIZACHYRIUM SCOPARIUM	LITTLE BLUESTEM	FACU
9.	AGROSTIS PERENNANS	UPLAND BENTGRASS	FACU

THE NEW ENGLAND EROSION CONTROL/RESTORATION MIX FOR DRY SITES PROVIDES AN APPROPRIATE SELECTION OF NATIVE AND NATURALIZED GRASSES TO ENSURE THAT DRY AND RECENTLY DISTURBED SITES WILL BE QUICKLY REVEGETATED AND THE SOIL SURFACE STABILIZED. IT IS AN APPROPRIATE SEED MIX FOR ROAD CUTS, PIPELINES, STEEPER SLOPES, AND AREAS REQUIRING QUICK COVER DURING THE ECOLOGICAL RESTORATION PROCESS. THE MIX MAY BE APPLIED BY HYDRO-SEEDING, BY MECHANICAL SPREADER, OR ON SMALL SITES IT CAN BE SPREAD BY HAND. LIGHTLY RAKE, OR ROLL TO ENSURE PROPER SOIL-SEED CONTACT. BEST RESULTS ARE OBTAINED WITH A SPRING OR LATE SUMMER SEEDING. LATE SPRING THROUGH MID-SUMMER SEEDING WILL BENEFIT FROM A LIGHT MULCHING OF WEED-FREE STRAW TO CONSERVE MOISTURE. IF CONDITIONS ARE DRIER THAN USUAL, WATERING WILL BE REQUIRED. FERTILIZATION IS NOT REQUIRED UNLESS THE SOILS ARE PARTICULARLY INFERTILE. PREPARATION OF A CLEAN WEED FREE SEED BED IS NECESSARY FOR OPTIMAL RESULTS.

SHOWY WILDFLOWER SEED MIX:

NEW ENGLAND SHOWY WILDFLOWER MIX
(BY NEW ENGLAND WETLAND PLANTS INC. - NEWP.COM)
APPLICATION RATE: 23LBS/ACRE | 1900 SQ FT/LB

ITEM	BOTANICAL NAME	COMMON NAME	INDICATOR
1.	SCHIZACHYRIUM SCOPARIUM	LITTLE BLUESTEM	FACU
2.	CHAMAECRISTA FASCICULATA	PARTRIDGE PEA	FACU
3.	SORGHASTRUM NUTANS	INDIAN GRASS	UPL
4.	FESTUCA RUBRA	RED FESCUE	FACU
5.	ELYMUS CANADENSIS	CANADA WILD RYE	FACU+
6.	ELYMUS RIPARIUS	RIVERBANK WILD RYE	FACW
7.	HELIOPSIS HELIANTHOIDES	OX EYE SUNFLOWER	UPL
8.	COREOPSIS LANCEOLATA	LANCE LEAVED COREOPSIS	FACU
9.	RUDBECKIA HIRTA	BLACK EYED SUSAN	FACU-
10.	LIATRIS SPICATA	SPIKED GAYFEATHER/MARSH BLAZING STAR	FAC+
11.	ASCLEPIAS SYRIACA	COMMON MILKWEED	FACU-
12.	VERNONIA NOVEBORACENSIS	NEW YORK IRONWEED	FACW+
13.	ASTER NOVAE-ANGLIAE	NEW ENGLAND ASTER	FACW-
14.	EUPATORIUM PURPUREUM	PURPLE JOE PYE WEED	FAC
15.	ASCLEPIAS TUBEROSA	BUTTERFLY MILKWEED	NI
16.	SOLIDAGO JUNCEA	EARLY GOLDENROD	
17.	EUPATORIUM PERFORIATUM	BONESET	FACW

THE NEW ENGLAND SHOWY WILDFLOWER MIX INCLUDES A SELECTION OF NATIVE WILDFLOWERS AND GRASSES THAT WILL MATURE INTO A COLORFUL AND VIBRANT NATIVE MEADOW. IT IS APPROPRIATE SEED MIX FOR ROADSIDES, COMMERCIAL LANDSCAPING, PARKS, GOLF COURSES, AND INDUSTRIAL SITES. ALWAYS APPLY ON CLEAN BARE SOIL. THE MIX MAY BE APPLIED BY MECHANICAL SPREADER, OR ON SMALL SITES IT CAN BE SPREAD BY HAND. LIGHTLY RAKE, OR ROLL TO ENSURE PROPER SEED TO SOIL CONTACT. BEST RESULTS ARE OBTAINED WITH A SPRING OR LATE FALL DORMANT SEEDING. LATE SPRING AND EARLY SUMMER SEEDING WILL BENEFIT WITH A LIGHT MULCHING OF WEED FREE STRAW TO CONSERVE MOISTURE. IF CONDITIONS ARE DRIER THAN USUAL, WATERING MAY BE REQUIRED. LATE FALL AND WINTER DORMANT SEEDING REQUIRE AN INCREASE IN THE SEEDING RATE. FERTILIZATION IS NOT REQUIRED UNLESS THE SOILS ARE PARTICULARLY INFERTILE. PREPARATION OF A CLEAN WEED FREE SEED BED IS NECESSARY FOR OPTIMAL RESULTS.



PROFESSIONAL LANDSCAPE ARCHITECT FOR ALLEN & MAJOR ASSOCIATES, INC.

REV	DATE	DESCRIPTION

APPLICANT/OWNER:

DONEGAL, LLC
PO BOX 4430
MANCHESTER, NH 03108

PROJECT:

PROPOSED INDUSTRIAL BUILDING
6 FORGE PARKWAY
FRANKLIN, MA
PARCEL ID: 272-005-000-000

PROJECT NO. 1362-25 DATE: 02-05-24

SCALE: AS SHOWN DWG.: L-1362-25_Landscape

DESIGNED BY: BCD CHECKED BY: MAM

PREPARED BY:



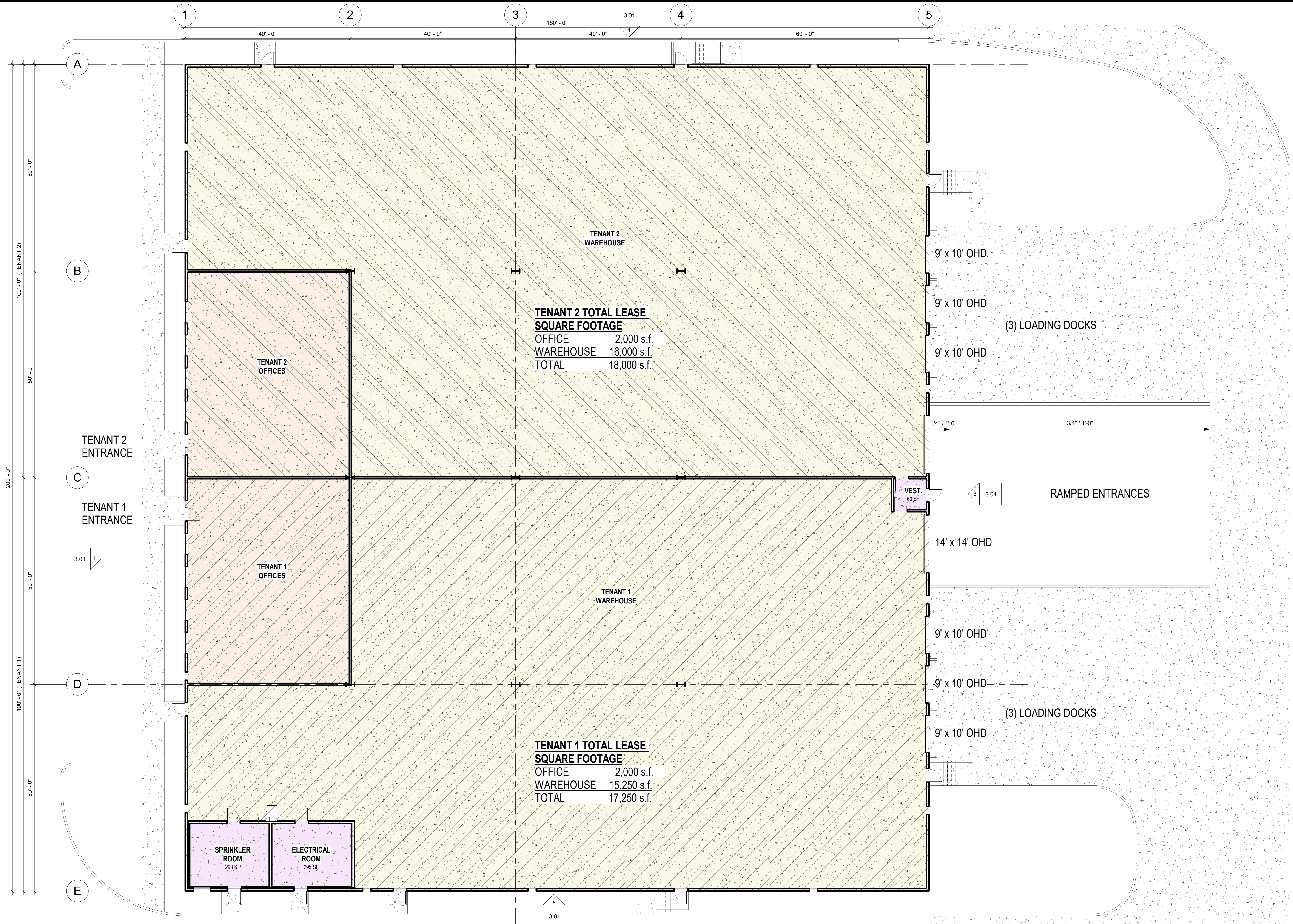
ALLEN & MAJOR ASSOCIATES, INC.

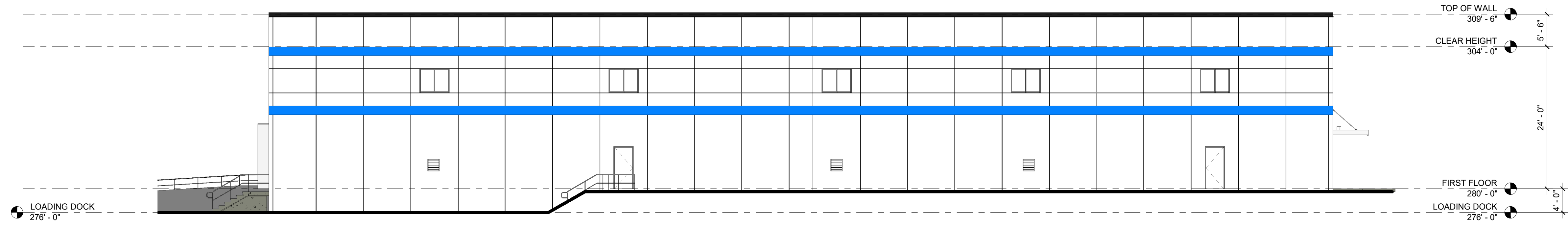
civil engineering • land surveying
environmental consulting • landscape architecture
www.allenmajor.com
100 COMMERCE WAY, SUITE 5
WOBURN MA 01801
TEL: (781) 935-6889
FAX: (781) 935-2896

WOBURN, MA • LAKEVILLE, MA • MANCHESTER, NH

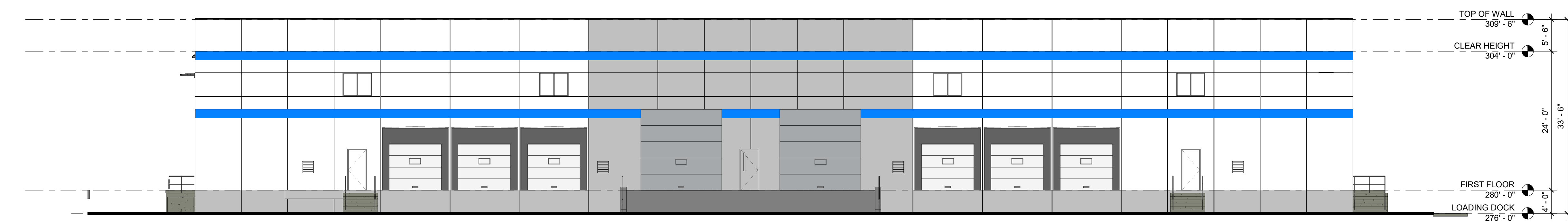
THIS DRAWING HAS BEEN PREPARED IN ELECTRONIC FORMAT. CLIENT/CLIENTS REPRESENTATIVE OR CONSULTANT MAY BE PROVIDED COPIES OF DRAWINGS AND SPECIFICATIONS ON MAGNETIC MEDIA FOR HIS/HER INFORMATION AND USE FOR SPECIFIC APPLICATION TO THIS PROJECT. DUE TO THE POTENTIAL THAT THE MAGNETIC INFORMATION MAY BE MODIFIED UNINTENTIONALLY OR OTHERWISE, ALLEN & MAJOR ASSOCIATES, INC. MAY REMOVE ALL INDICATION OF THE DOCUMENTS AUTHORSHIP ON THE MAGNETIC MEDIA. PRINTED REPRESENTATIONS OF THE DRAWINGS AND SPECIFICATIONS ISSUED SHALL BE THE ONLY RECORD COPIES OF ALLEN & MAJOR ASSOCIATES, INC.'S WORK PRODUCT.

DRAWING TITLE: LANDSCAPE NOTES & DETAILS SHEET No. L-502

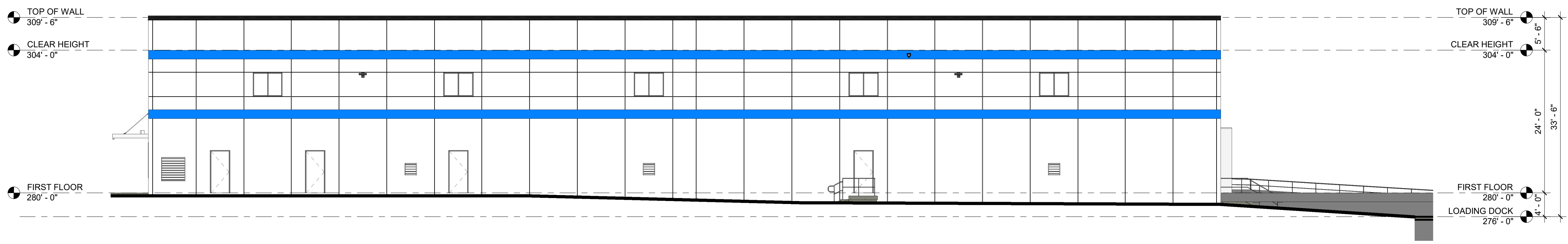




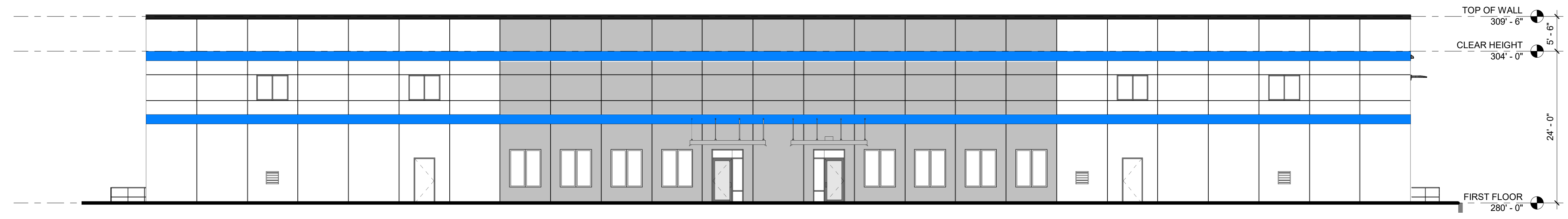
4 OVERALL - NORTH ELEVATION
SCALE: 3/32" = 1'-0" REF SHEET: 1 / 1.01



3 OVERALL - EAST ELEVATION
SCALE: 3/32" = 1'-0" REF SHEET: 1 / 1.01



2 OVERALL - SOUTH ELEVATION
SCALE: 3/32" = 1'-0" REF SHEET: 1 / 1.01



1 OVERALL - WEST ELEVATION
SCALE: 3/32" = 1'-0" REF SHEET: 1 / 1.01