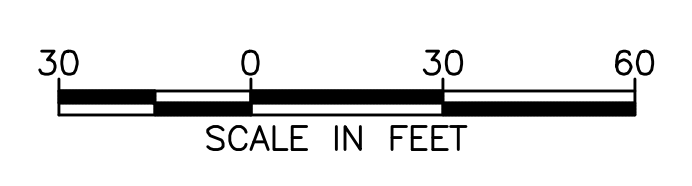


SIGN LEGEND	
R3-8a	ONLY ONLY
R3-8b	ONLY ONLY
R3-7L	LEFT LANE MUST TURN LEFT
R10-6	STOP HERE ON RED
R10-7	DO NOT BLOCK INTERSECTION

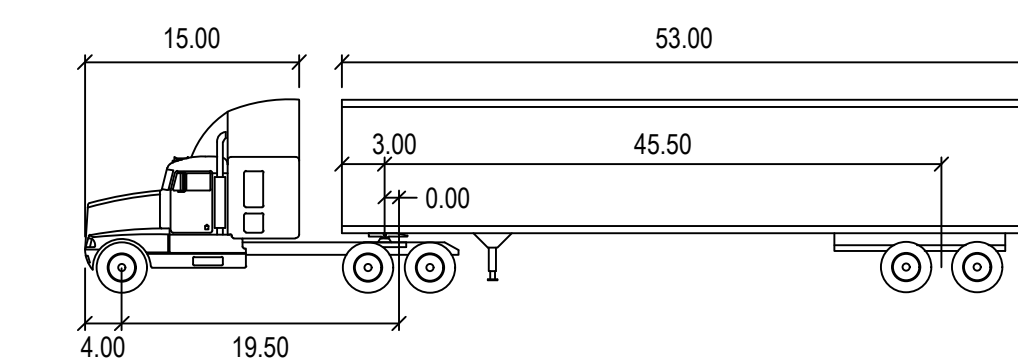
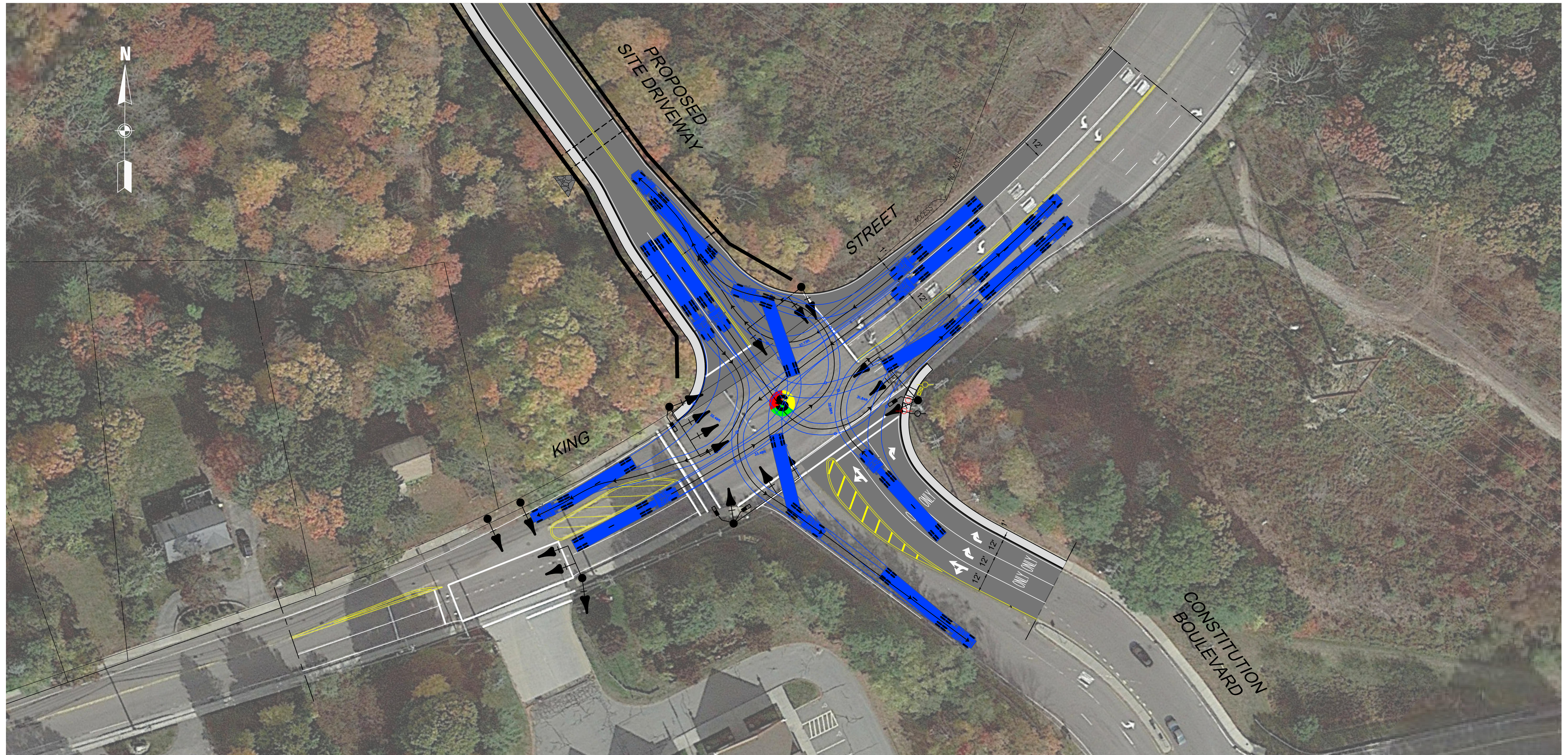
FIGURE 13
CONCEPTUAL IMPROVEMENT PLAN
KING STREET AT CONSTITUTION BOULEVARD
AND THE PROJECT SITE DRIVEWAY

PROJECT:		PROPOSED WAREHOUSE FRANKLIN, MASSACHUSETTS	
PROPOSER:		MARCUS PARTNERS BOSTON, MASSACHUSETTS	
NO.	REVISIONS	DATE	
DESIGNED BY: AJA		DATE: 12/22/21	
DRAWN BY: JTG		SCALE: 1" = 30'	
CHECKED BY: JSD		SHEET 1 OF 1	

NOTES: 1. THIS PLAN IS FOR REVIEW PURPOSES ONLY AND IS NOT INTENDED FOR CONSTRUCTION.
2. BASE PLAN INFORMATION OBTAINED FROM BOHLER ENGINEERING AND GOOGLE EARTH.



R:\9863\8863\013-HWY.dwg, 12/22/2021, 4:41:08 PM



WB-67

feet			
Tractor Width	: 8.00	Lock to Lock Time	: 6.0
Trailer Width	: 8.50	Steering Angle	: 28.4
Tractor Track	: 8.00	Articulating Angle	: 75.0
Trailer Track	: 8.50		



- NOTES: 1. THIS PLAN IS FOR REVIEW PURPOSES ONLY AND IS NOT INTENDED FOR CONSTRUCTION.
 2. BASE PLAN INFORMATION OBTAINED FROM BOHLER ENGINEERING AND GOOGLE EARTH.

FIGURE 14
 WB-67 SEMI-TRAILER TURNING
 MOVEMENT PLAN
 KING STREET AT CONSTITUTION BOULEVARD
 AND THE PROJECT SITE DRIVEWAY

PROJECT:
 PROPOSED WAREHOUSE
 FRANKLIN, MASSACHUSETTS

PROPRONENT:
 MARCUS PARTNERS
 BOSTON, MASSACHUSETTS

NO.	REVISIONS	DATE



DESIGNED BY:	AJA	DATE:	12/22/2021
DRAWN BY:	JTG	SCALE:	1" = 30'
CHECKED BY:	JSD	SHEET	1 OF 1

R:\8863\8863\013-HWY.dwg, 12/22/2021, 4:39:32 PM

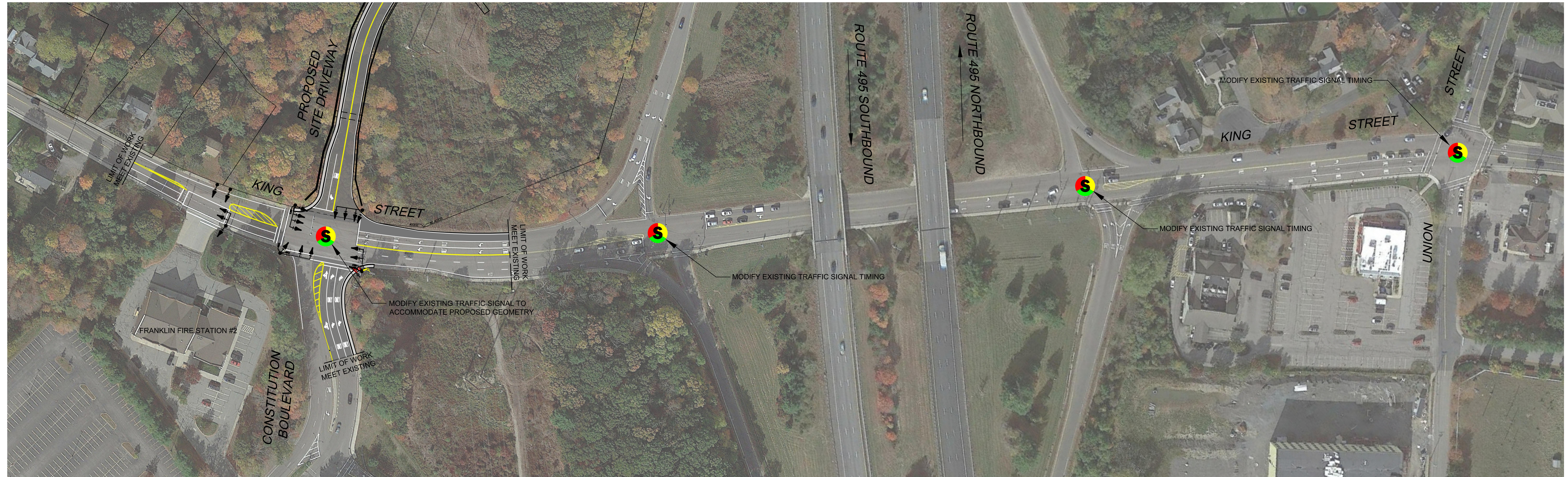
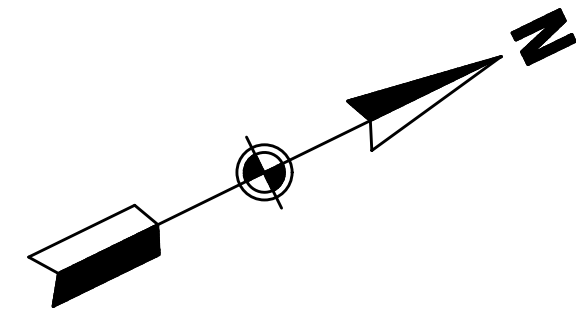


FIGURE 15
CONCEPTUAL STUDY AREA
IMPROVEMENT PLAN KING STREET

PROJECT:
PROPOSED WAREHOUSE
FRANKLIN, MASSACHUSETTS

PROPOSER:
MARCUS PARTNERS
BOSTON, MASSACHUSETTS

NO.	REVISIONS	DATE



DESIGNED BY: AJA DATE: 12/22/2021
DRAWN BY: JTG SCALE: 1" = 60'
CHECKED BY: JSD SHEET 1 OF 1

- NOTES: 1. THIS PLAN IS FOR REVIEW PURPOSES ONLY AND IS NOT INTENDED FOR CONSTRUCTION.
2. BASE PLAN INFORMATION OBTAINED FROM BOHLER ENGINEERING AND GOOGLE EARTH.

